

Cal. VJ20C

ϕ 18.50 mm

H 2.28 mm

Item	Version No.
Specification	Version 5
Appearance	Version 2
Casing	Version 6
Hand Fitting	Version 7
Hand Setting Stem	Version 5
Dial - 1	Version 6
Casing Ring	Version 5
Assembly Plan	Version 6
Hands	Version 5



MOVEMENT SPECIFICATIONS

CAL.VJ20C 6 3/4 X 8 Ligne Quartz Movement Two Hands

1. MOVEMENT DIMENSIONS

- Outside diameter 18.20mm (12H~6H) x 15.30mm (3H~9H), ϕ 18.50mm
- Casing diameter 17.80mm (12H~6H), ϕ 18.10mm
- Total height 2.28 mm (including the battery)

2. TIME STANDARD

- Type of quartz oscillator Tuning fork
- Frequency of quartz oscillator 32,768 H Z
- Accuracy Monthly rate: Less than 20 seconds per month at normal temperature range
- Regulation device Nil
- Regulation hands unbalance Minute : Less than 0.30 μ N·m (30mg·mm)
Hour : Less than 0.30 μ N·m (30mg·mm)

3. BATTERY

- Type Silver oxide battery
- Size ϕ 6.8 x t 2.1 (mm)
- Battery life Approx. 3 years
- Recommended battery SR621SW (SEIZAIKEN)

4. STEPPING MOTOR

- Type Two pole stepping motor
- Step 180° every second

5. JEWEL

0 jewel

6. ANTIMAGNETISM

(direct current magnetic field)

\geq 1600 A / m

7. SHOCK RESISTANCE

On equal level with general quartz movement

8. OPERATING TEMPERATURE RANGE

From - 5°C to + 50°C

9. SETTING MECHANISM

- Crown at normal position Free
- Crown pulled out to 1st click Time setting and reset switch

10. TEST OF ACCURACY

- Equipment to be used Quartz Tester QT - 99
Greiner Quartz Timer - C
Witschi Q-Tester 4000
- Duration of measurement 10 seconds
- Microphone to be used Electromagnetic detection type (DM-1)

11. ATTACHED PARTS

Parts Name	Parts Code
Silver oxide battery	3016 - 17G0
Hand setting stem	0351 - 3330

*** All specifications are subject to change without notice.**

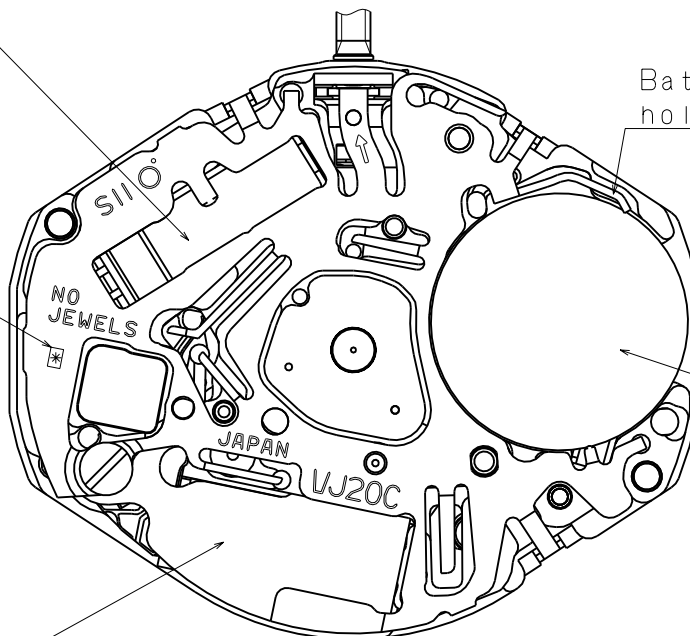
Crystal oscillator

	*
TYPE M	2
TYPE L	3

Battery side holding spring

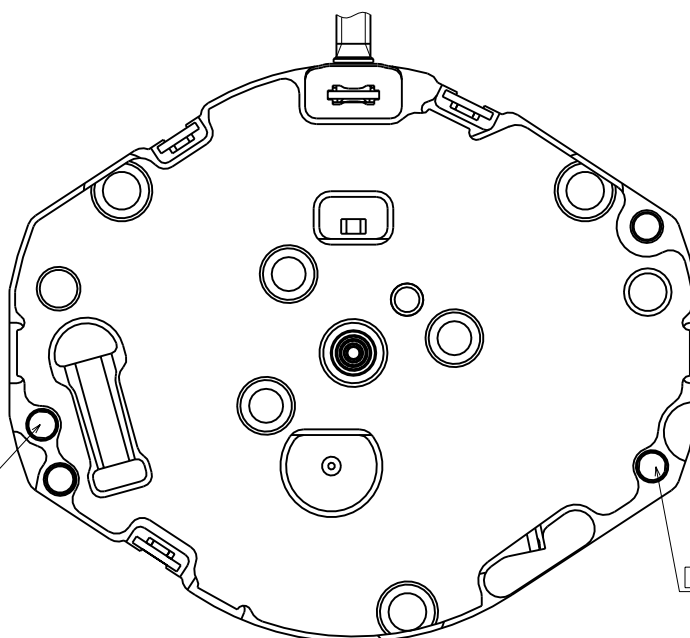
Battery

Coil block



Dial leg hole

Dial leg hole



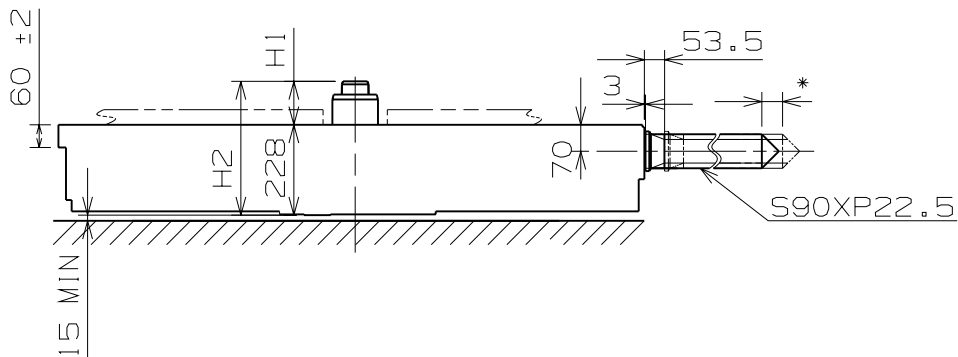
Scale : 5/1

Version:2

Unit : 1=1/100mm

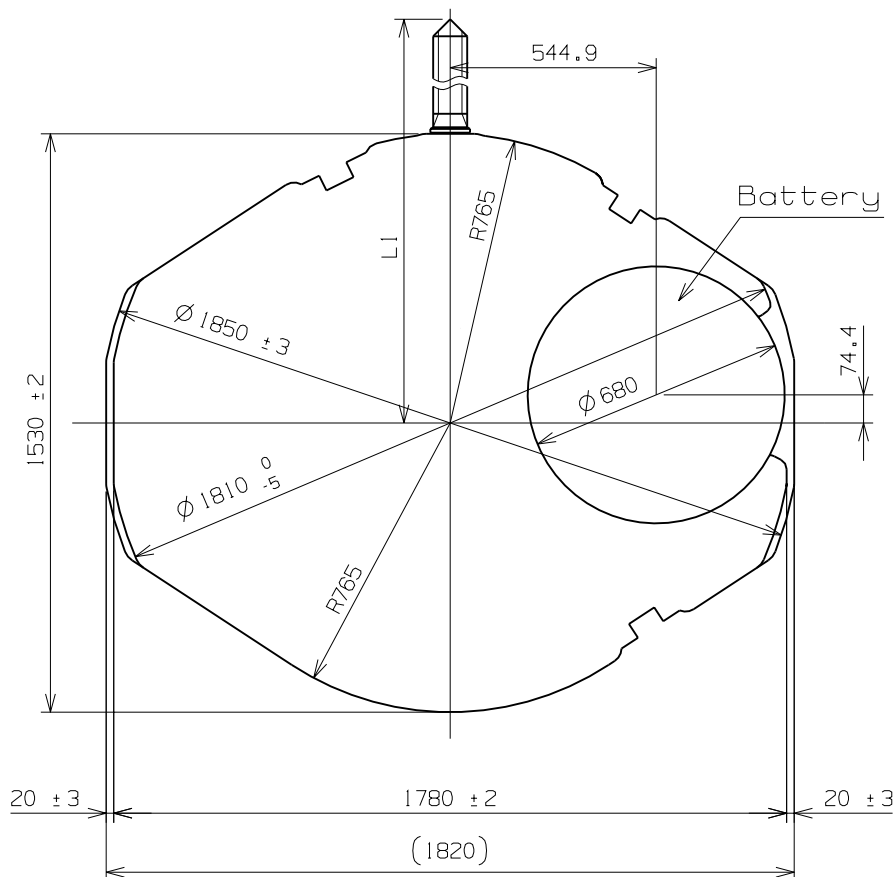
Battery Side holding spring Type.

* Pull out Stroke 50.5



Center post		TYPE M	TYPE L
Maximum height from main plate surface	H1	115	174
Total height incl. movement	H2	343	402

Hand Setting Stem	TYPE A
L1	2001

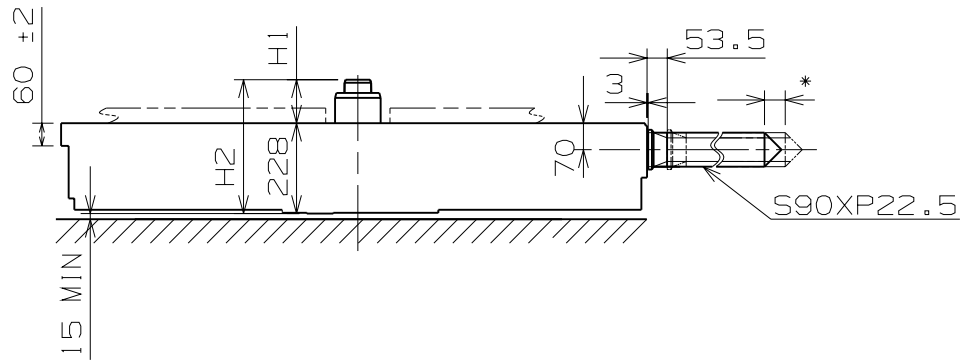


Scale : 5/1
Unit : 1=1/100mm

Version:6

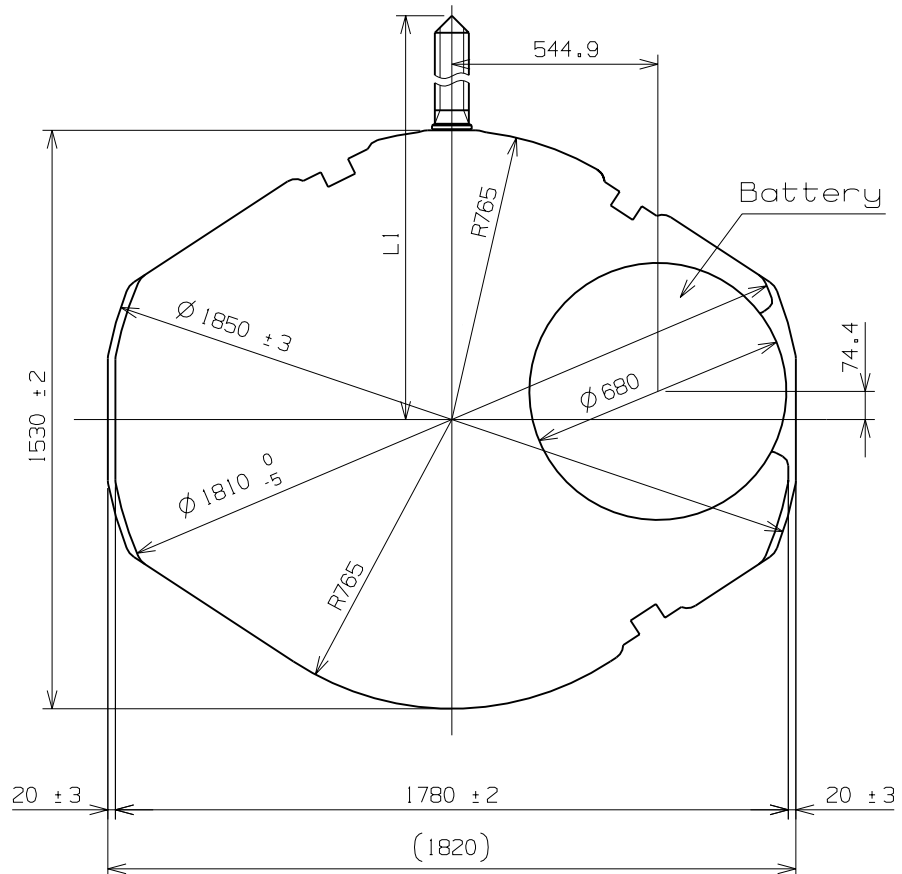
Battery Side holding spring Type.

* Pull out Stroke 50.5



Center post 中心柱位		Type M 一般針高	Type L 高針
Maximum height from main plate surface 與機芯平面之最大高度	H1	115	174
Total height incl. movement 機芯總高度	H2	343	402

Hand Setting Stem	TYPE A
L1	2001



Scale : 5/1

Unit : 1=1/100mm

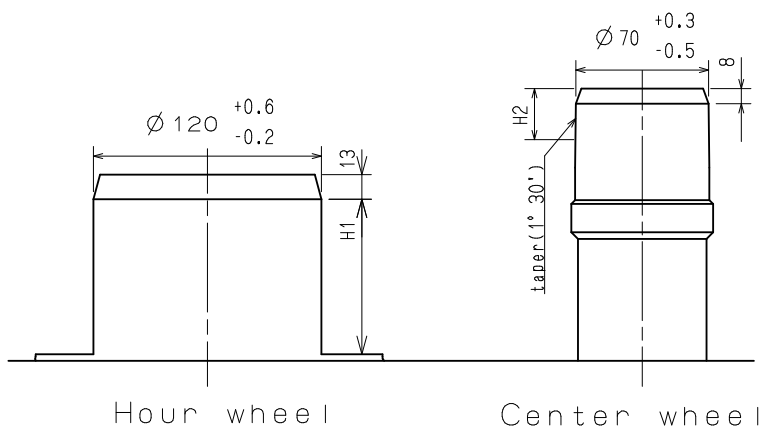
Version:6

Hand Fitting

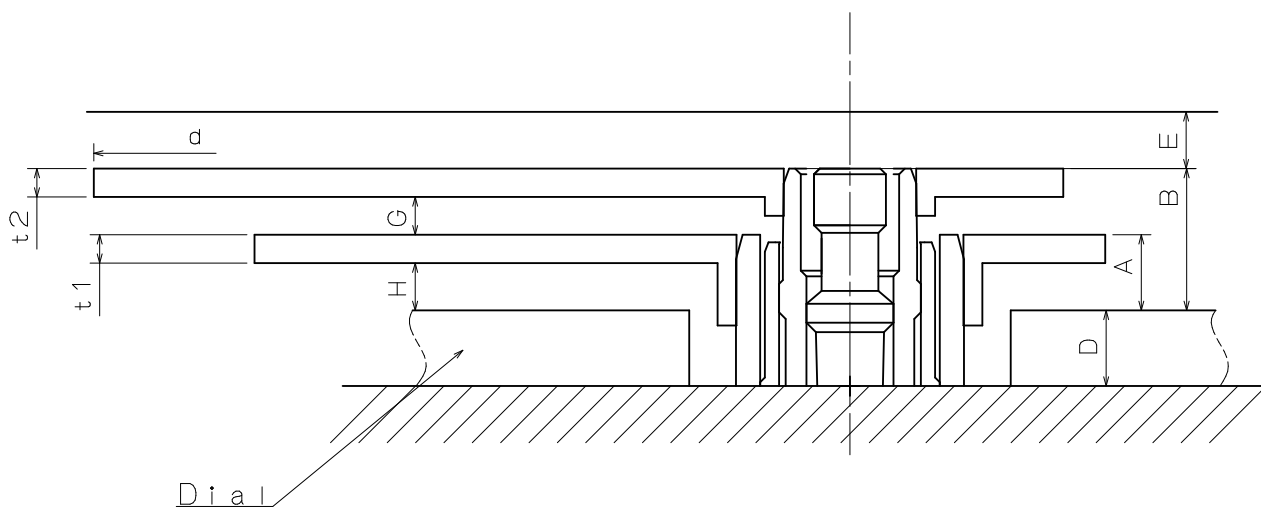
Cal. VJ20C

Minute hand unbalance $\leq 0.3\mu\text{N}\cdot\text{m}$ (30mg·mm)

Hour hand unbalance $\leq 0.3\mu\text{N}\cdot\text{m}$ (30mg·mm)



	Part. No.		Dimension	
	Hour wheel	Center wheel	H1	H2
TYPE M	0273 0260	0221 1460	80	27
TYPE L	0273 0270	0221 1470	125	27



	A	B	D	E	G	H	t1	t2	d
TYPE M	40	75	40	30	20	25	15	15	ϕ 2500
TYPE L	40	89	85	30	20	25	15	15	ϕ 2500

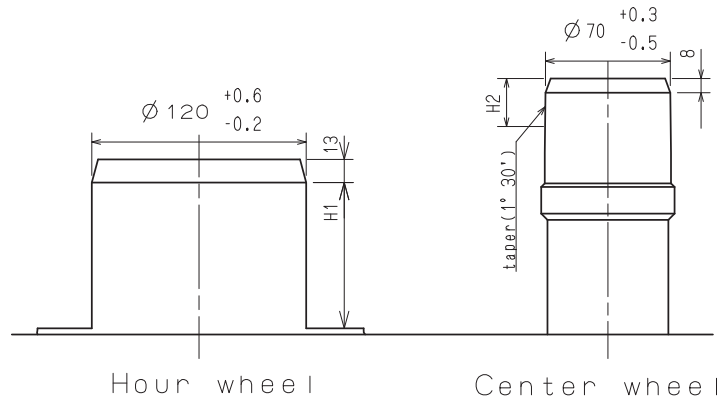
Scale : 25/1

Unit : 1=1/100mm

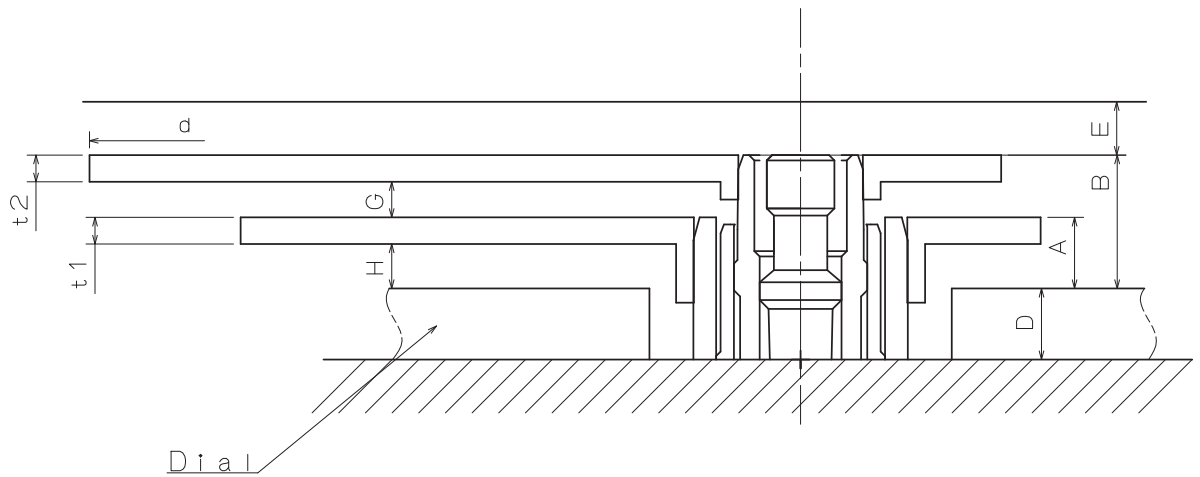
Version : 7

Minute hand unbalance $\leq 0.3 \mu\text{N}\cdot\text{m}$ (30mg·mm)

Hour hand unbalance $\leq 0.3 \mu\text{N}\cdot\text{m}$ (30mg·mm)



	Part. No.				Dimension	
	Hour wheel	時針輪	Center wheel	分針輪	H1	H2
Type M 一般針高	0273	0260	0221	1460	80	27
Type L 高針	0273	0270	0221	1470	125	27

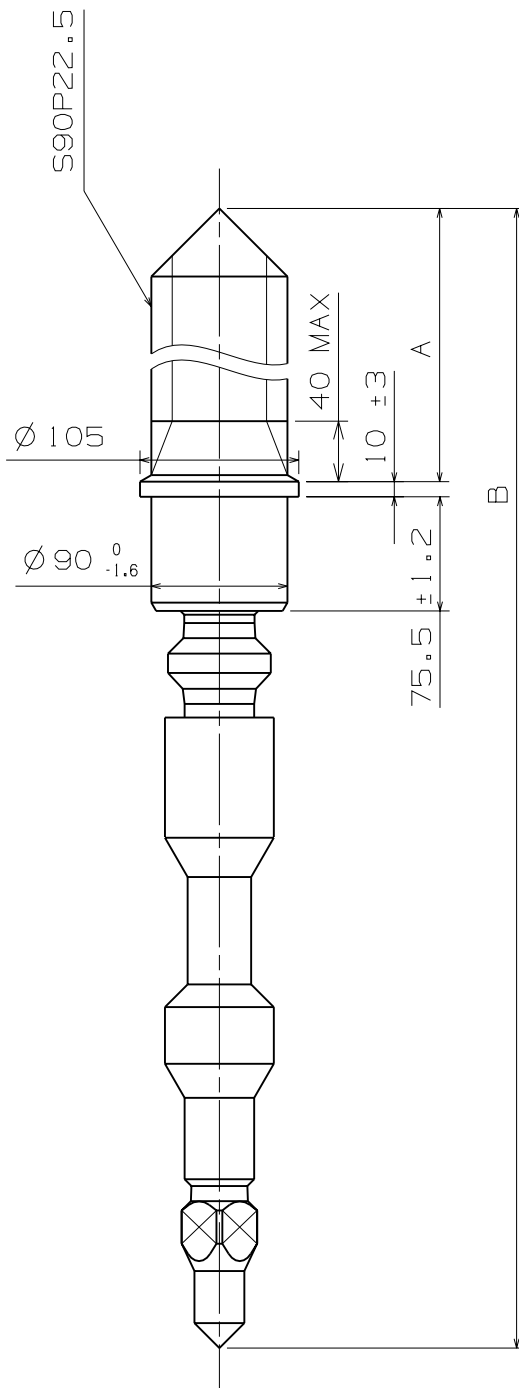


	A	B	D	E	G	H	t1	t2	d
Type M 一般針高	40	75	40	30	20	25	15	15	$\phi 2500$
Type L 高針	40	89	85	30	20	25	15	15	$\phi 2500$

Scale : 25/1

Unit : 1=1/100mm

Version : 7

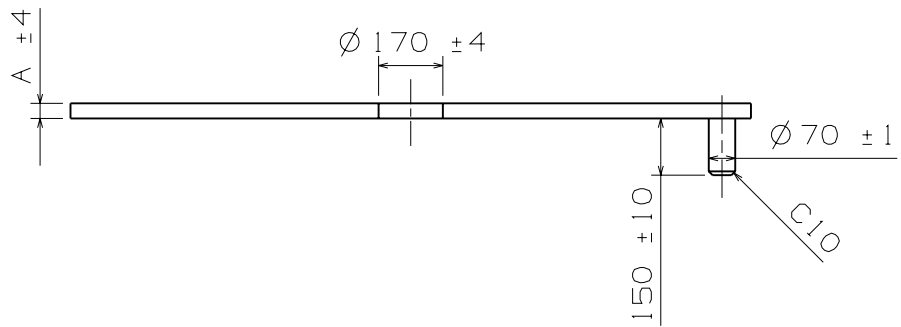
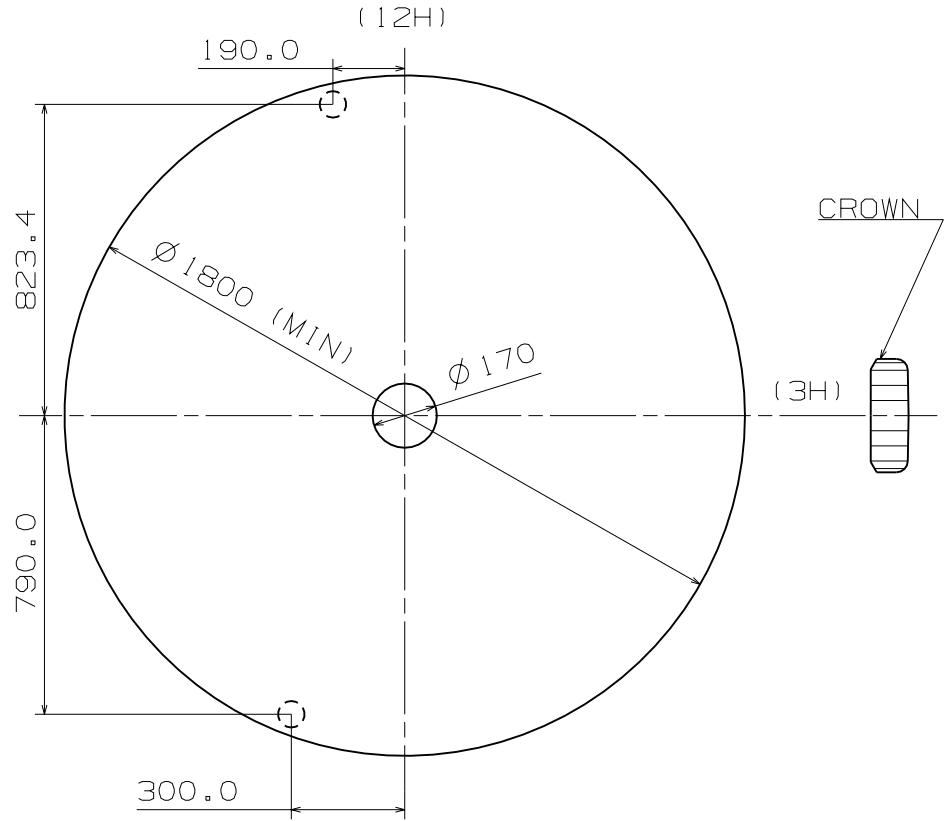


Part.No.	A	B
0351 3330	1223	1796

Scale : 20/1

Unit : 1=1/100mm

Version:5



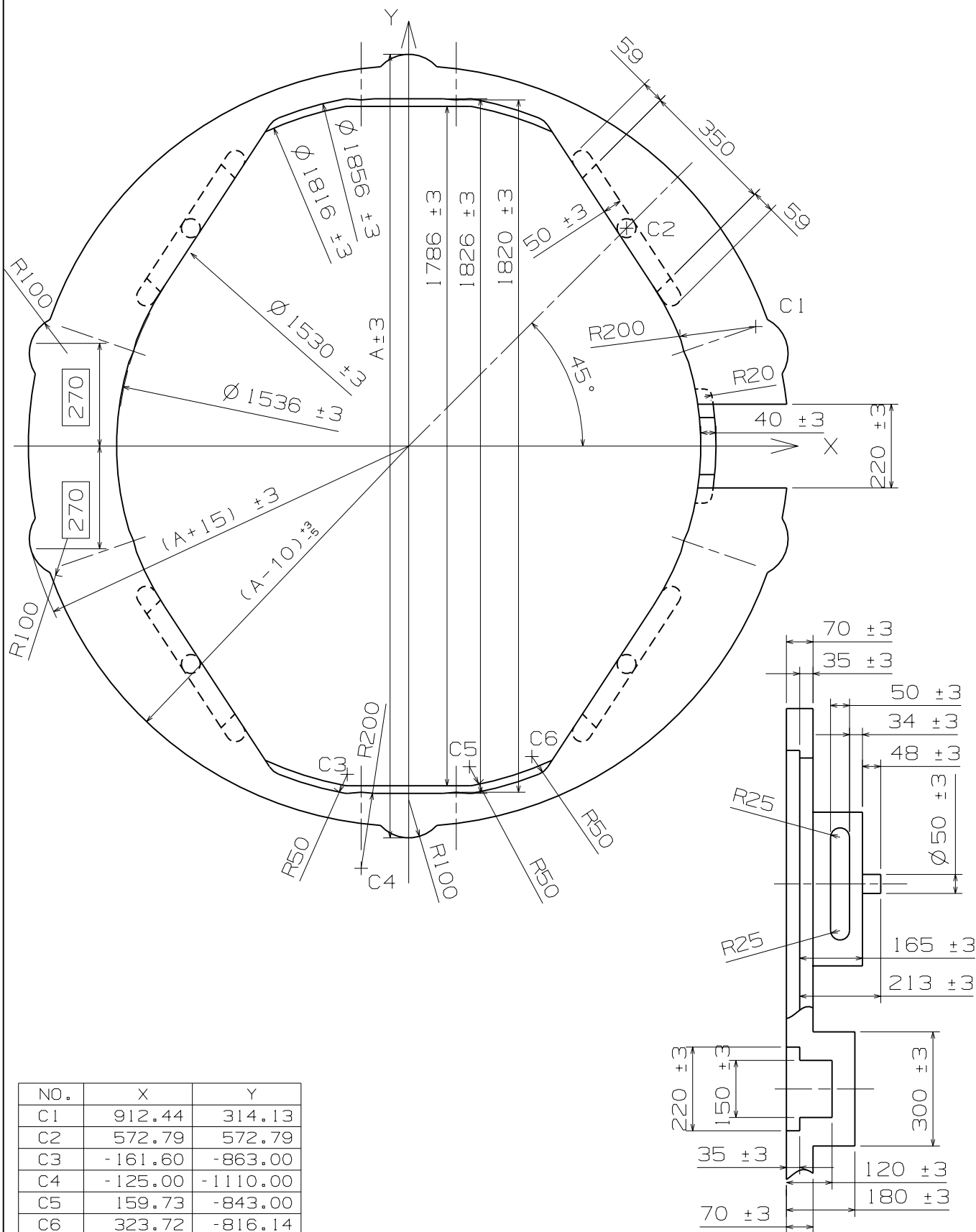
	TYPE M	TYPE L
A	40	85

Scale : 5/1
Unit : 1=1/100mm

Version:6

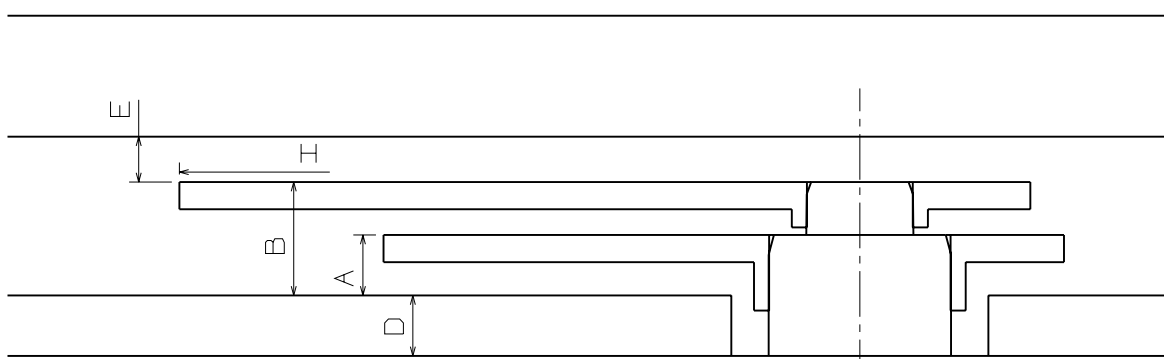
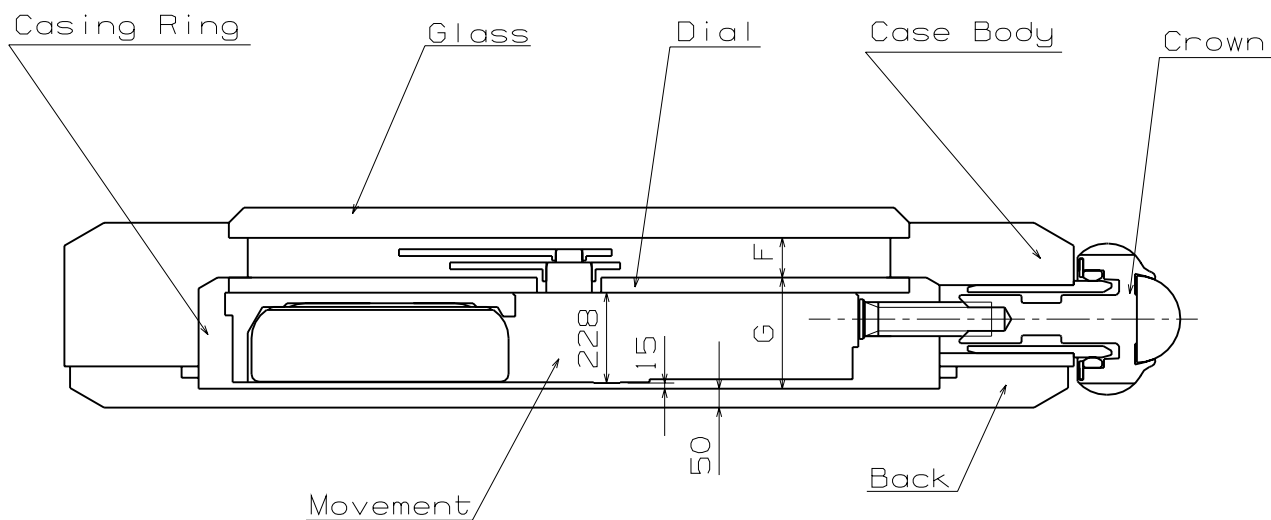
Casing Ring

Cal. VJ20C



Scale : 7/1
Unit : 1=1/100

Version:5

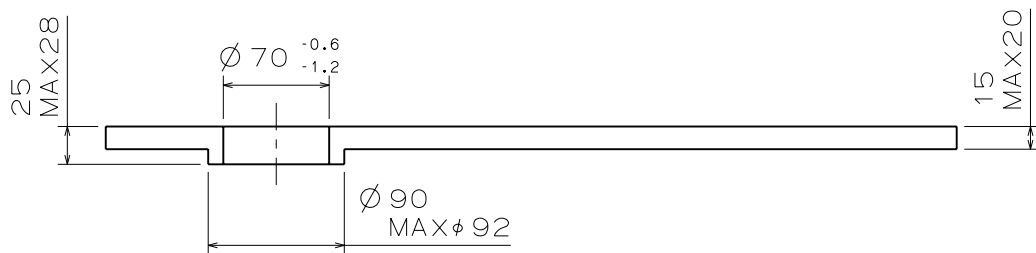


	A	B	D	E	F	G	H
TYPE M	40	75	40	30	105	283	∅ 2500
TYPE L	40	89	85	30	105	328	∅ 2500

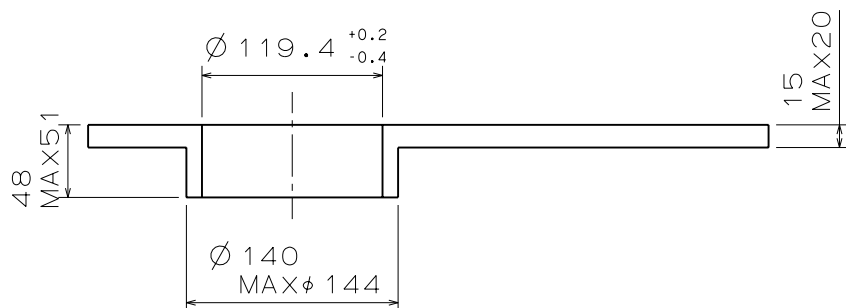
Scale : -
Unit : 1=1/100mm

Version:6

MINUTE



HOUR



Scale : 20/1
Unit : 1 = 1/100mm

Version : 5