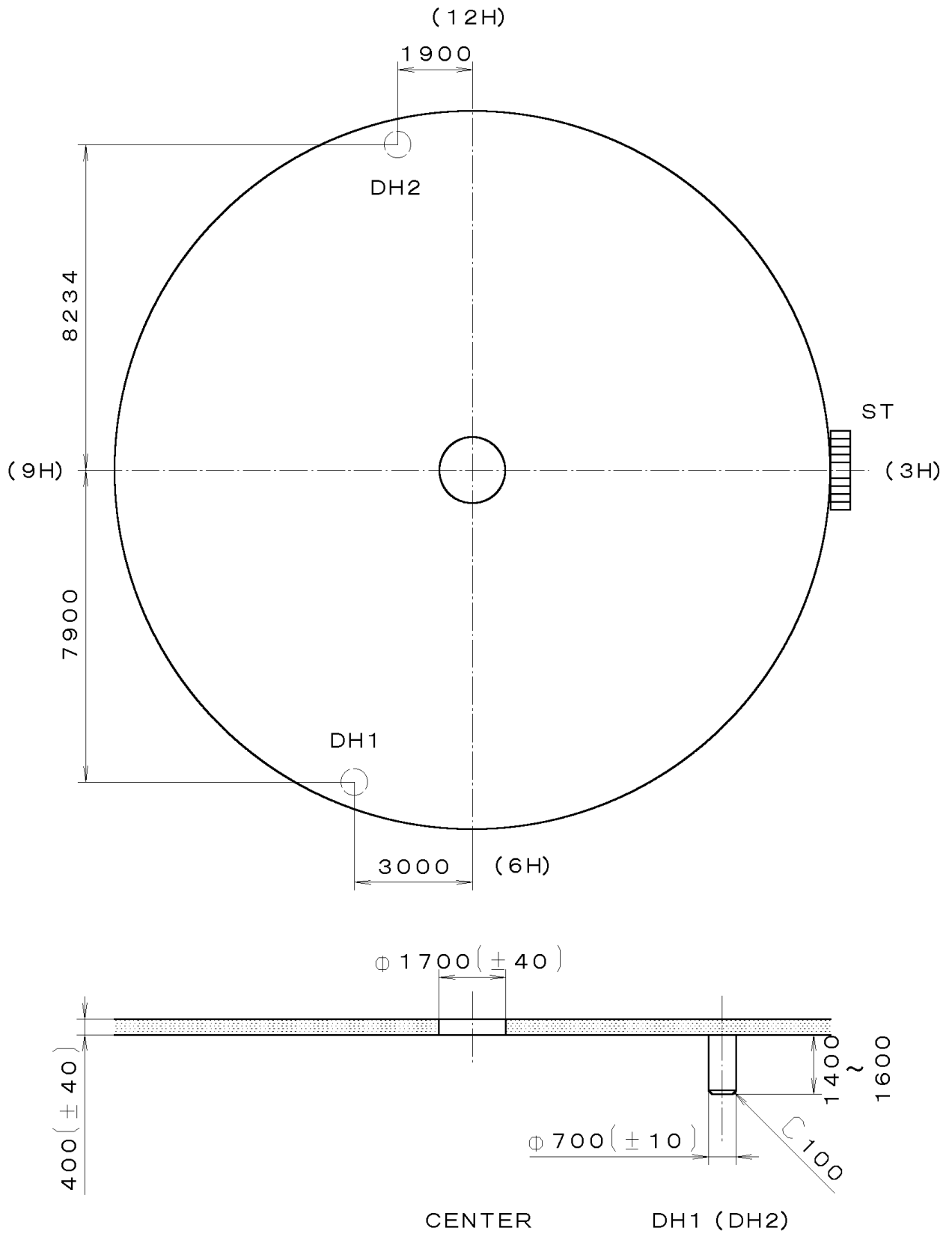




This drawing is provisional and subject to our reconfirmation and/or revision without notice.

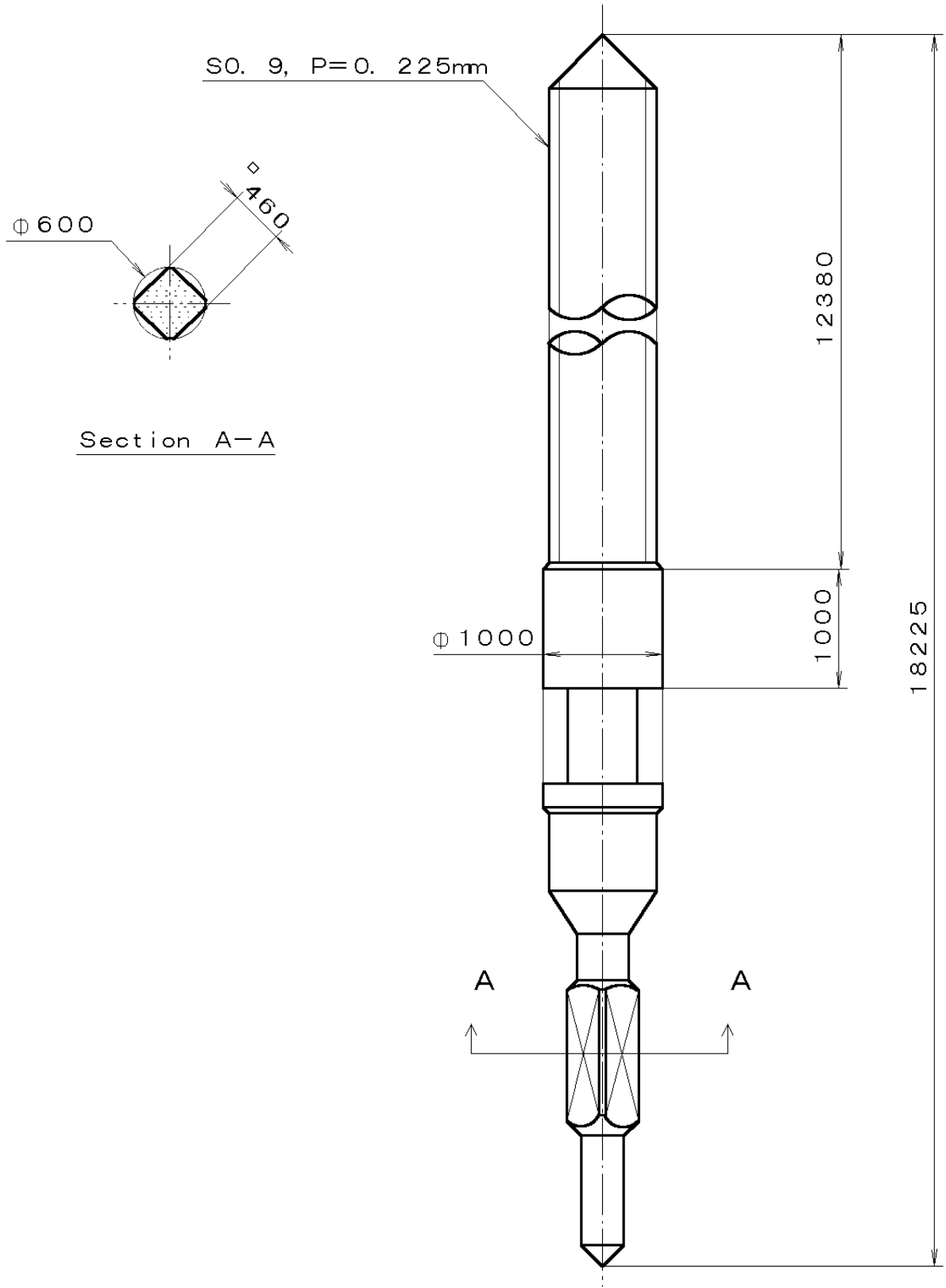
2035-00A (01) \*\*\* (2100 1121) 00-08-14



7			Quantity		Ca l. No. : 2035-00A
6			Unit	1/1000 mm	
5			Scale	7:1	Parts:
4			Date		
3			Drawn		Name : Indications for Dial
2			Checked	T. Hiruta	
1			Approved		Drawing No. : 2035D000
Material					
Heat Treatment			General Tolerances		
Hardness			Dimensions		
Plating			Angles		

This drawing is provisional and subject to our reconfirmation and/or revision without notice

\*\*\* T I P W (01) \*\*\* (2100 1121) 00-07-28 065-468



7		Quantity		Cal. No. :
6		Unit	1/1000 mm	Parts : <b>065-468</b>
5		Scale	20:1	
4		Date		Name : <b>SETTING STEM</b>
3		Drawn		
2		Checked	T. Hiruta	Drawing No. : 4680S000
1		Approved		
Material				
Heat Treatment		General Tolerances		
Hardness		Dimensions		
Plating		Angles		