

Watch Movement Specification and Drawing

CHRONOGRAPH

Cal. VR32A

Movement Size

13 1/2'''

Casing Diameter

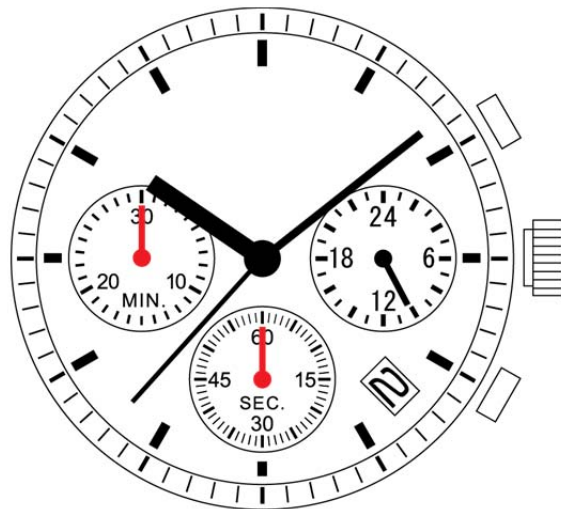
Ø 30.6mm

Height

3.97mm

Battery Life

3 years



Date: 30/Nov./17

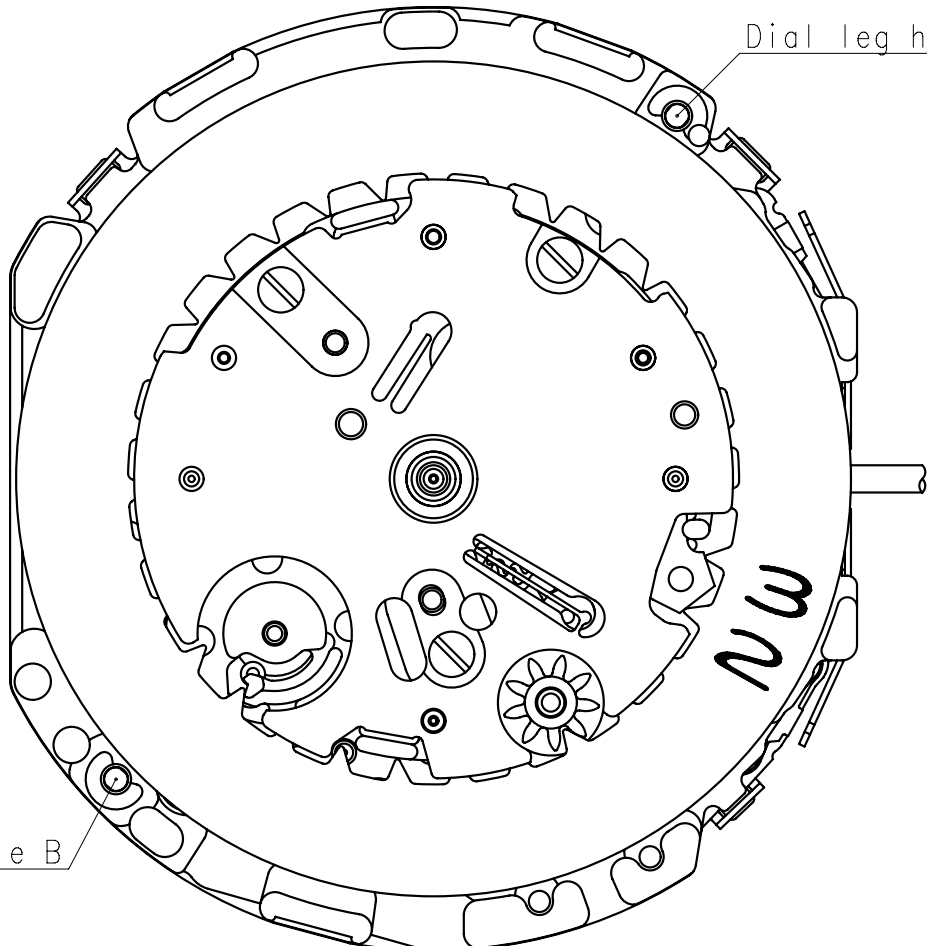
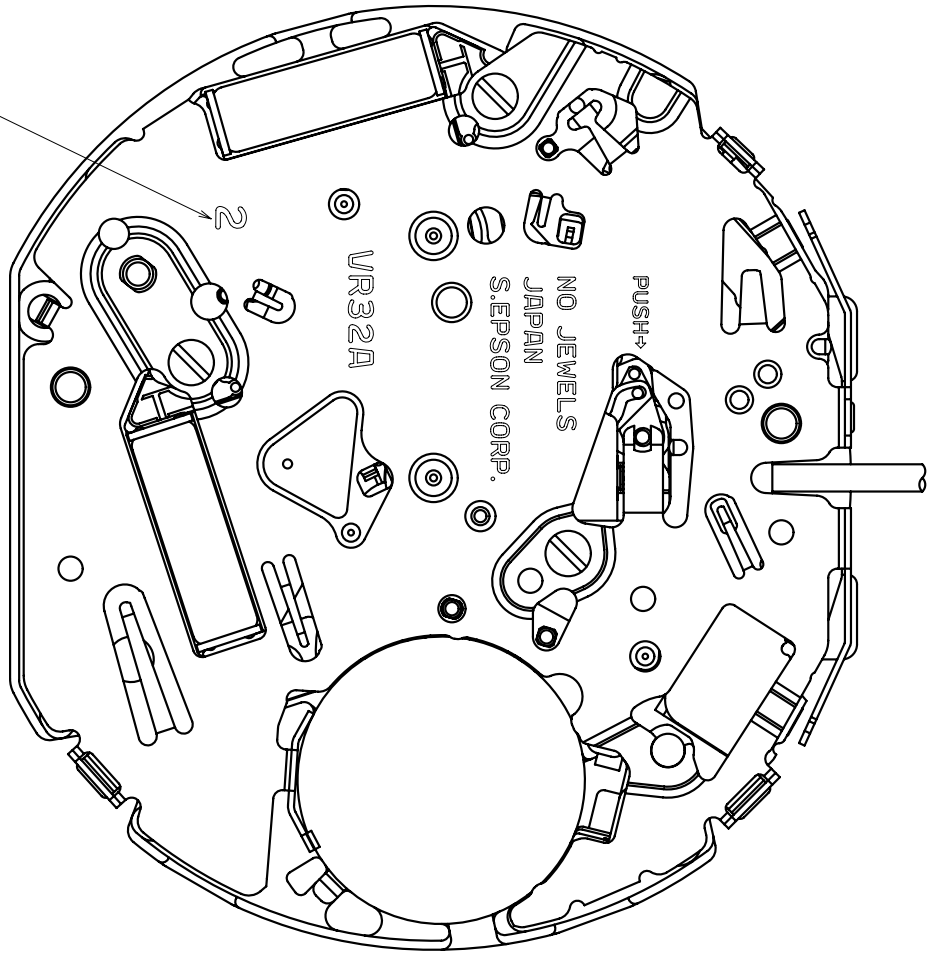
Cal. VR32A

Items	Rev.	Page
Specifications	01	1
Appearance	00	2
Casing	03	3
Hand fitting-01	01	4-01
Hand fitting-02	01	4-02
Hand setting stem	02	5
Dial	00	6
Casing ring	00	7
Operation	00	8
Attention	00	9

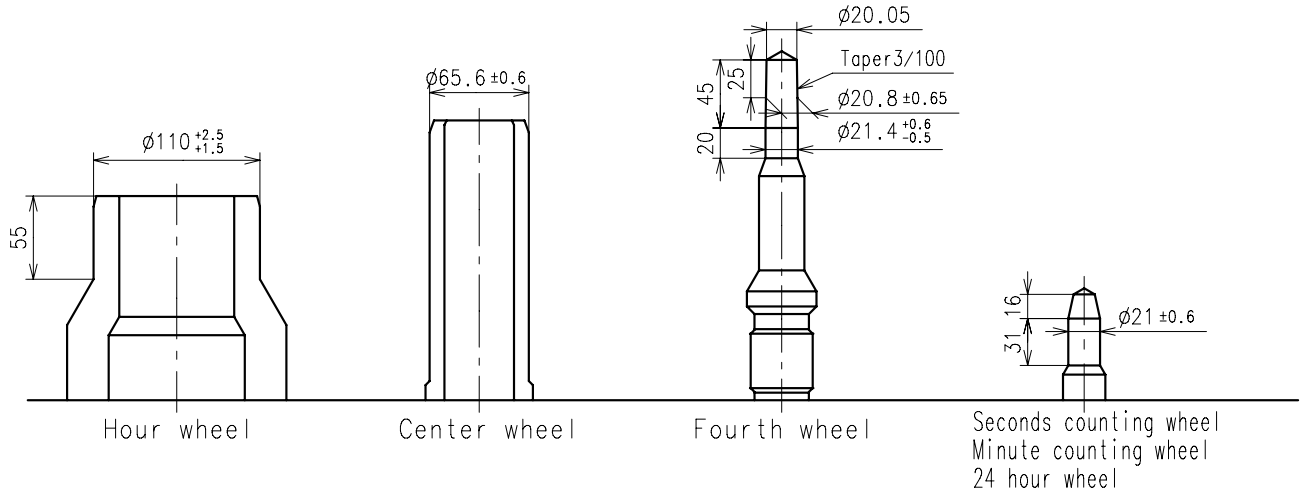
Cal. VR32A	Specifications	Date : 19/Sep./14
		Rev. : 01
Analog Quartz 13 1/2" Chronograph Movement		
1. MOVEMENT DIMENSIONS		
Outside diameter	ϕ 31.2mm × 28.0mm(3-9H)	
Casing diameter	ϕ 30.6mm	
Total height	3.97mm (including battery)	
2. TIME STANDARD		
Type of quartz oscillator	Tuning fork	
Frequency of quartz oscillator	32,768 Hz	
Accuracy	±20 seconds per month (on wrist)	
Operating temperature range	-5°C to +50°C	
Regulation device	Nil (Pre-adjusted)	
3. INDICATOR / FUNCTIONS		
3 Hands	Hour / Minute / Second	
Small hands	24 hour(3H) / Second chronograph(6H) / Minute chronograph(9H)	
Calendar	Instant setting device for date calendar	
Reset switch		
Power depletion warning function (BLD)		
(Second hand moves at 2-second intervals)		
Setting mechanism	Crown at normal position	: Free
	Crown pulled out 1st click	: Instant date change
	Crown pulled out 2nd click	: time setting / reset
Chronograph	1/1 second up to 30 minutes with split time measurement	
4. FEATURES		
Jewels	0 Jewels	
Anti-magnetism	Over 1600A/m (Direct current magnetic field)	
Maximum unbalance of hands	Hour hand	: 0.6 μ N·m
	Minute hand	: 0.9 μ N·m
	Second hand	: 0.09 μ N·m
	24 hour hand	: 0.05 μ N·m
	Second chronograph hand	: 0.05 μ N·m
	Minute chronograph hand	: 0.05 μ N·m
Moment of Inertia	Second hand	: less than 0.35 μ g·m ²
	Second chronograph hand	: less than 0.05 μ g·m ²
5. BATTERY		
Type / Size	Silver oxide battery / ϕ 9.5mm × t 2.0mm	
Recommended battery	SR920SW (Maxell, Sony, Seizaiken)	
Nominal voltage	1.55 V	
Battery life	Approx. 3 years	
Driving current consumption	Approx. 1.2 μ A	
Operation stopping voltage	1.4V (Chronograph function)	
6. SEPARATED PARTS (Parts code)		
Hand setting stem	0351578 or 0351177	
Battery	SR920SW	
7. TEST OF ACCURACY		
Equipment to be used	SEIKO quartz tester QT-99, Greiner quartz timer-C , Witschi Q-tester 4000	
Duration of measurement	10 seconds	
Microphone to be used	Electromagnetic detection type	
All specifications are subject to change without notice.		

Hands type

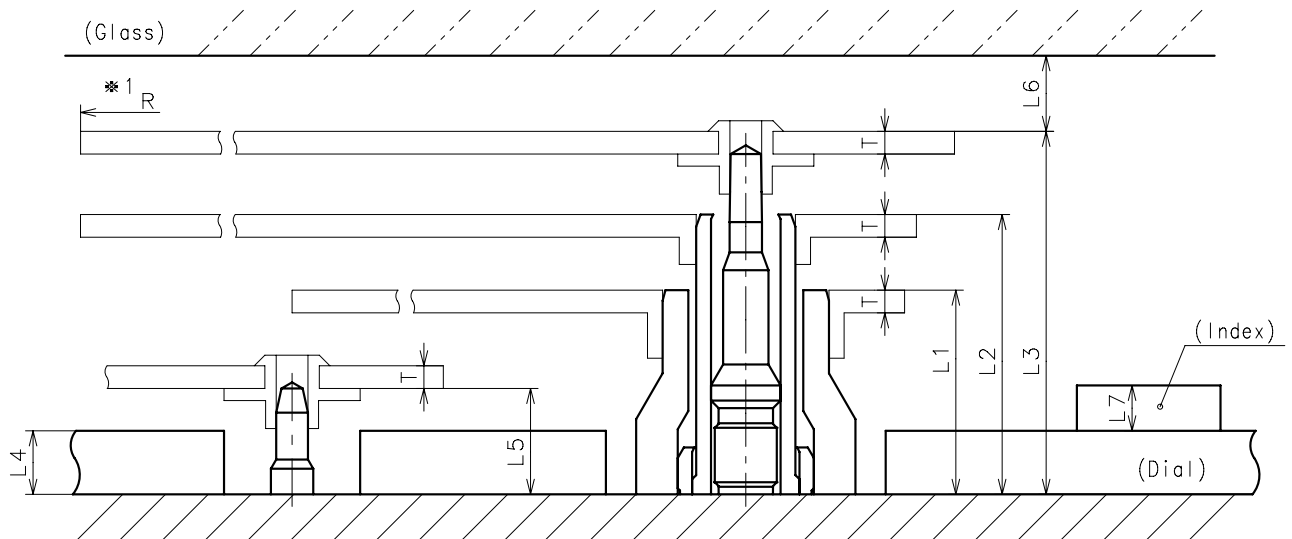
	Mark
Type M	2
Type LL	4



- * Unbalance
 - Hour hand $\leq 0.6 \mu \text{N} \cdot \text{m}$ ($60 \mu \text{g} \cdot \text{m}$)
 - Minute hand $\leq 0.9 \mu \text{N} \cdot \text{m}$ ($90 \mu \text{g} \cdot \text{m}$)
 - Second hand $\leq 0.09 \mu \text{N} \cdot \text{m}$ ($9 \mu \text{g} \cdot \text{m}$)
 - Second chronograph hand $\leq 0.05 \mu \text{N} \cdot \text{m}$ ($5 \mu \text{g} \cdot \text{m}$)
 - Minute chronograph hand $\leq 0.05 \mu \text{N} \cdot \text{m}$ ($5 \mu \text{g} \cdot \text{m}$)
 - 24 hour hand $\leq 0.05 \mu \text{N} \cdot \text{m}$ ($5 \mu \text{g} \cdot \text{m}$)
- * Moment of inertia
 - Second hand $\leq 0.35 \mu \text{g} \cdot \text{m}^2$
 - Second chronograph hand $\leq 0.05 \mu \text{g} \cdot \text{m}^2$



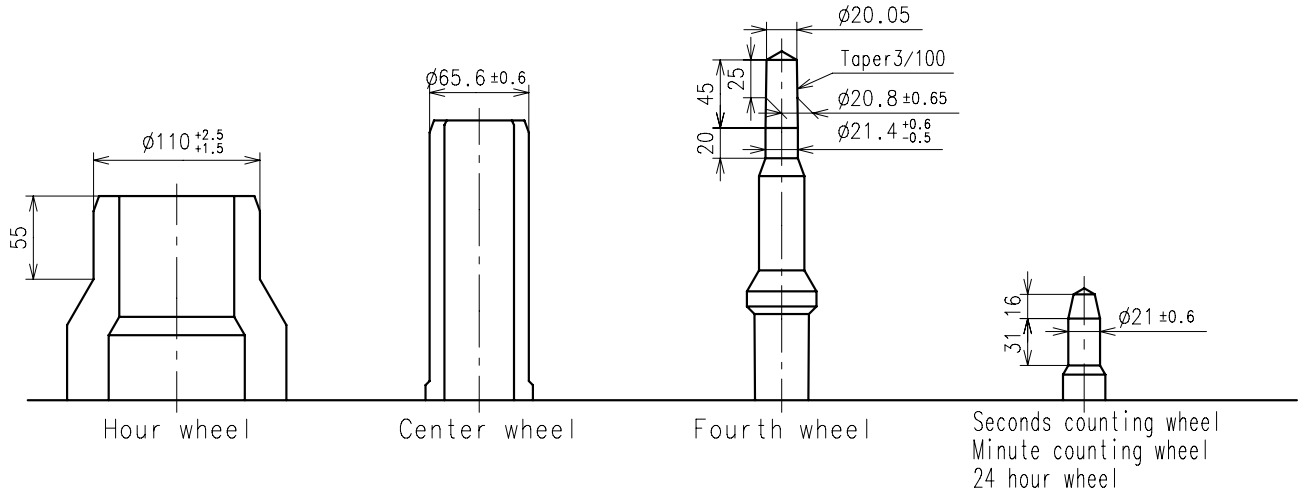
	Parts No.					
	Hour wheel	Center wheel	Fourth wheel	Seconds counting wheel	Minute counting wheel	24 hour wheel
Type M (2) VR32A**	0271661	0221662	0241592	0888510	0888520	1002561



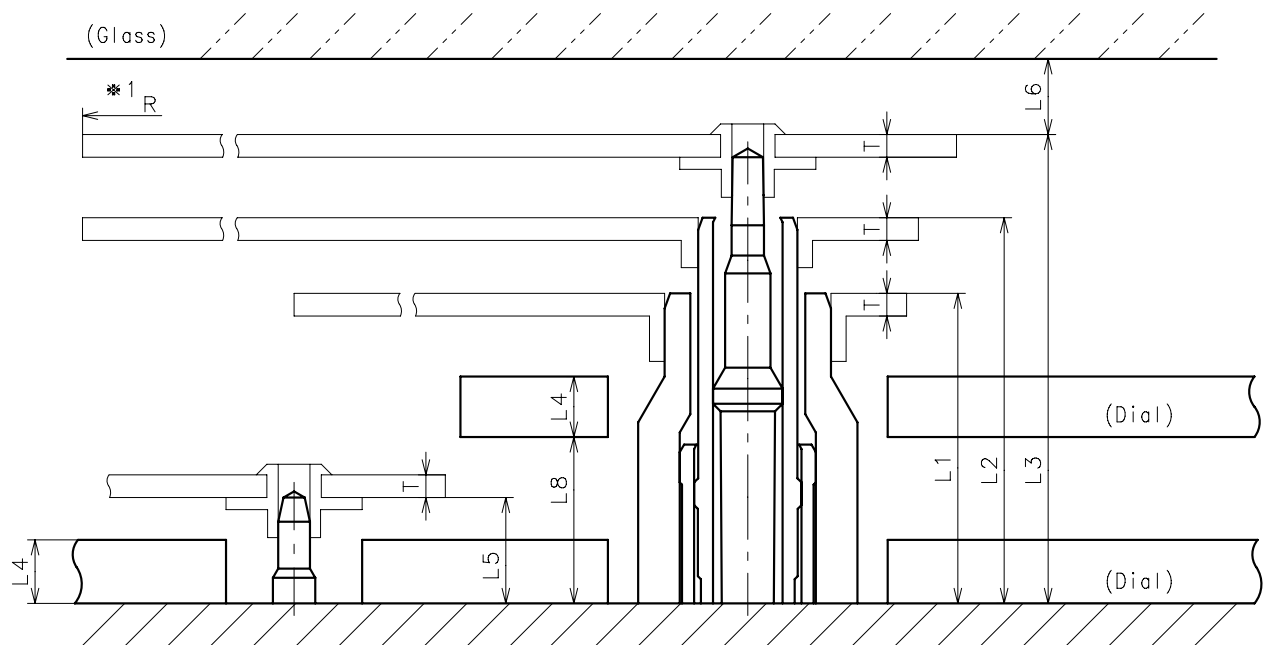
	L1	L2	L3	L4	L5	L6	L7	T	*1R
Type M (2) VR32A**	135	185	240	40	70	MIN: 50	MAX: 50	15	MAX: 1500

* 1: It is the size taken into consideration for hands attachment.
Please observe some standard value specified in unbalance and moment of inertia when using long hands.

- * Unbalance
 - Hour hand $\text{N} \cdot \text{m}$ 0.6μ (60 μ g · m)
 - Minute hand $\text{N} \cdot \text{m}$ 0.9μ (90 μ g · m)
 - Second hand $\text{N} \cdot \text{m}$ 0.09μ (9 μ g · m)
 - Second chronograph hand $\text{N} \cdot \text{m}$ 0.05μ (5 μ g · m)
 - Minute chronograph hand $\text{N} \cdot \text{m}$ 0.05μ (5 μ g · m)
 - 24 hour hand $\text{N} \cdot \text{m}$ 0.05μ (5 μ g · m)
- * Moment of inertia
 - Second hand $\text{g} \cdot \text{m}^2$ 0.35μ
 - Second chronograph hand $\text{g} \cdot \text{m}^2$ 0.05μ

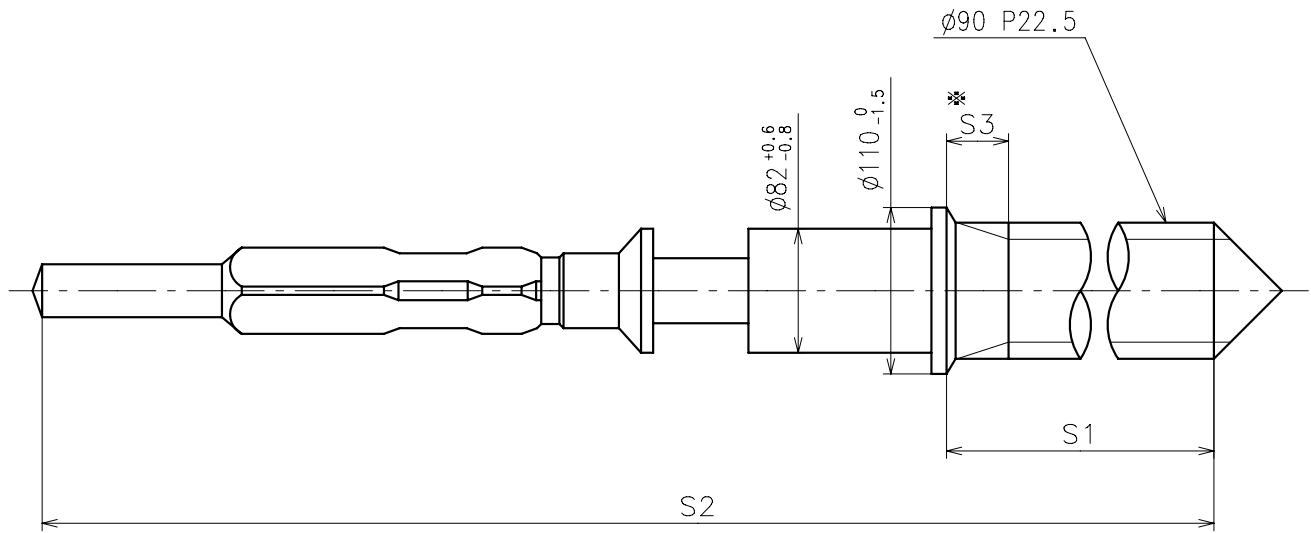


	Parts No.					
	Hour wheel	Center wheel	Fourth wheel	Seconds counting wheel	Minute counting wheel	24 hour wheel
Type LL(4) VR32A**	0271662	0221663	0241593	0888510	0888520	1002561



	L1	L2	L3	L4	L5	L6	L8	T	*1 R
Type LL(4) VR32A**	205	255	310	40	70	MIN: 50	110	15	MAX: 1500

* 1: It is the size taken into consideration for hands attachment.
Please observe some standard value specified in unbalance and moment of inertia when using long hands.

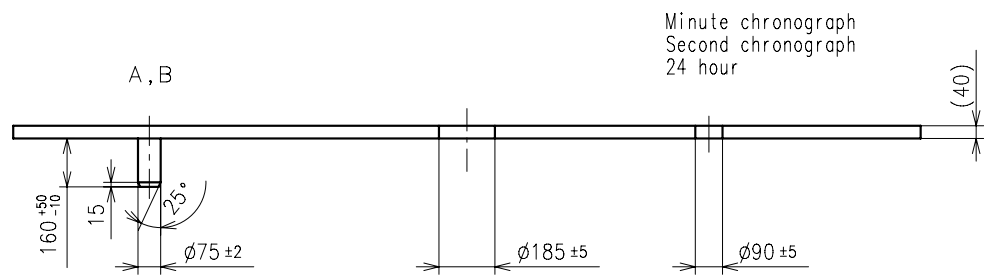
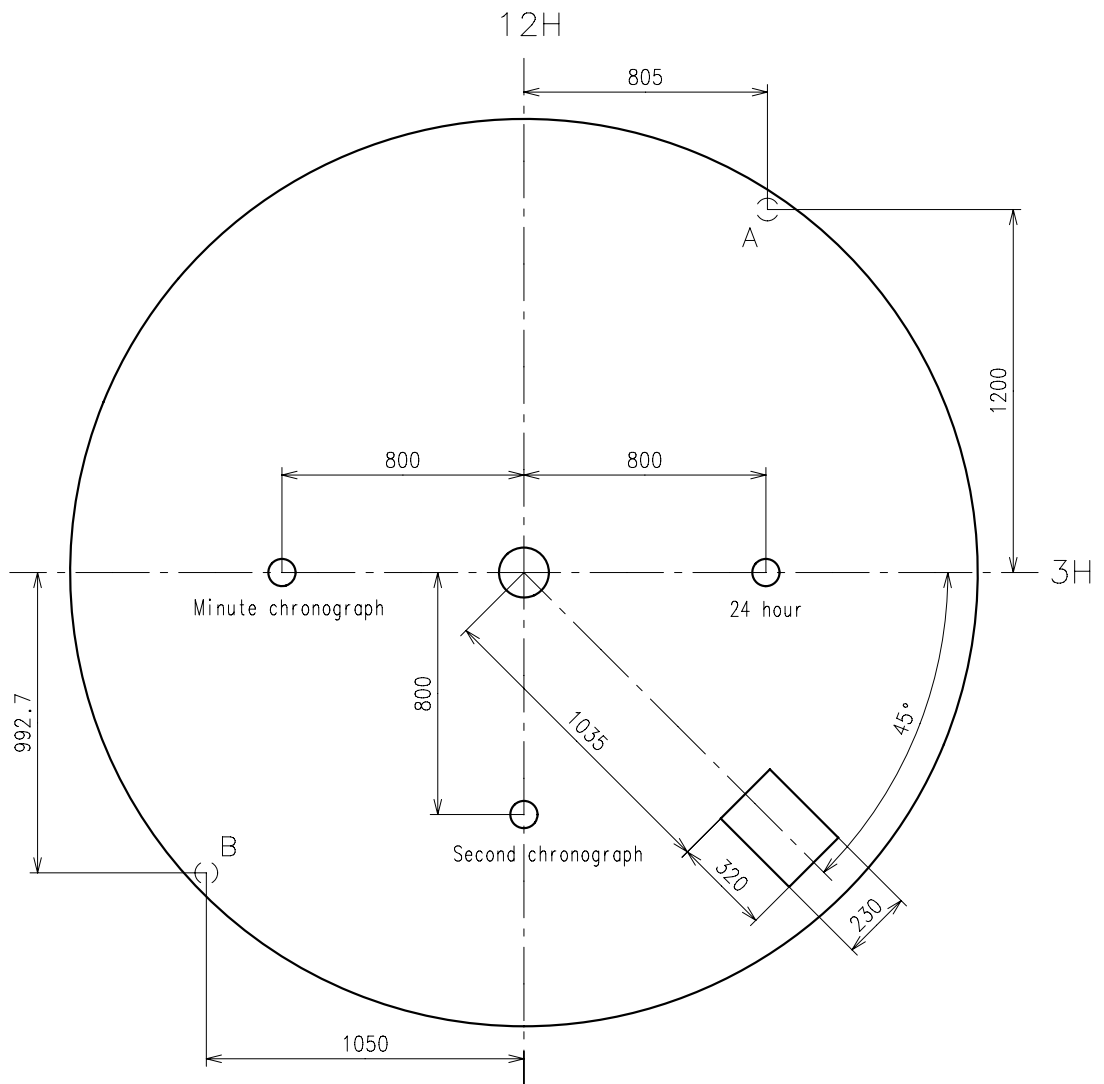


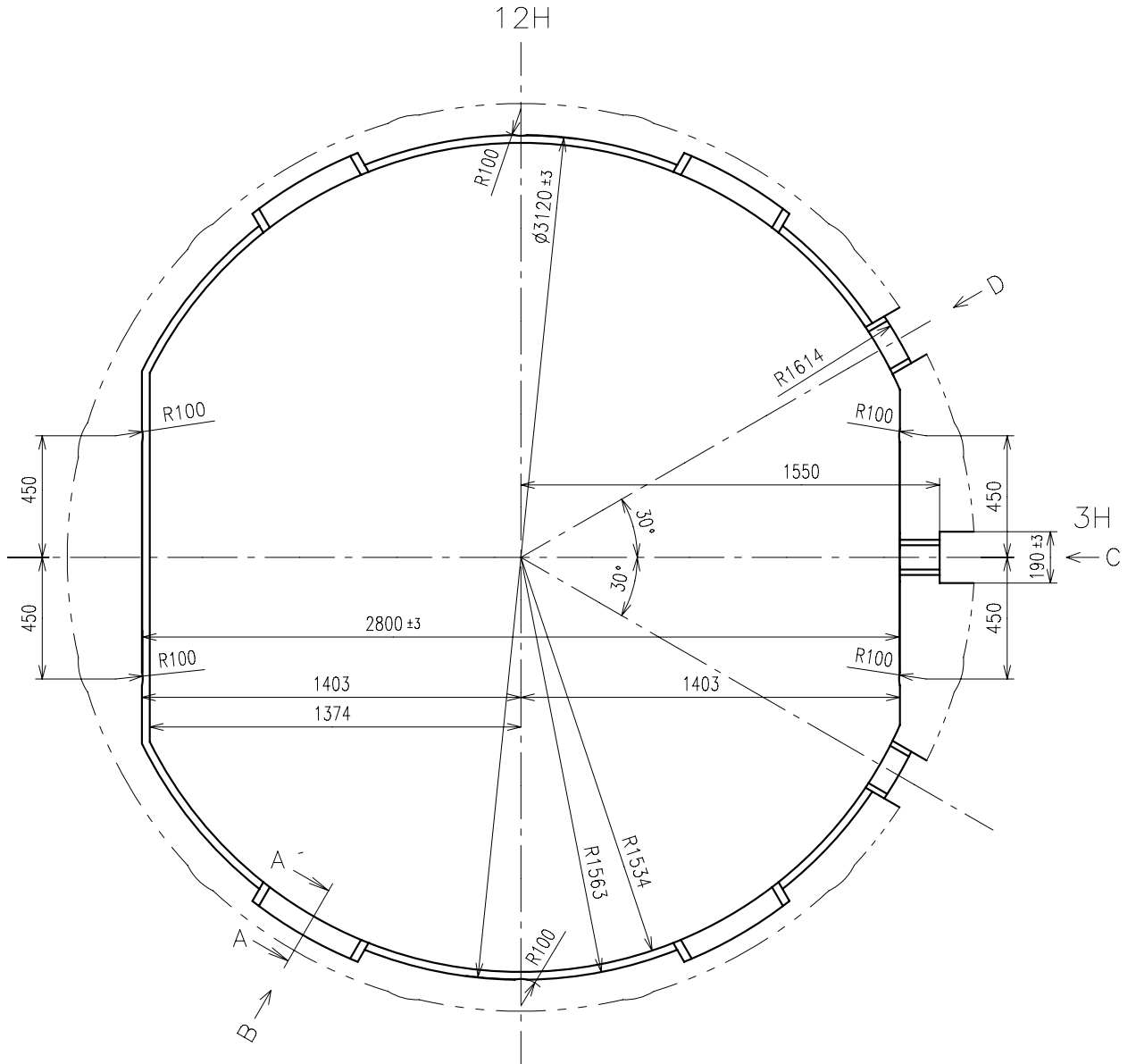
* Not threaded

	Part No.	S1	S2	* S3
Type-1	0351177	1366	1964	60
Type-2 (Standard)	0351578	2507	3105	650

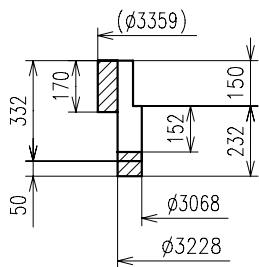
Material : Steel

Hardness : Vickers 600±50

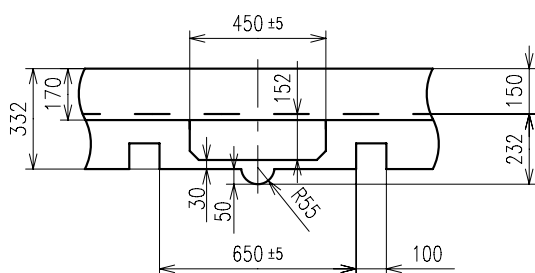




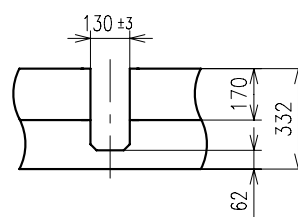
A-A section



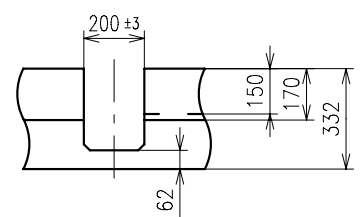
B view

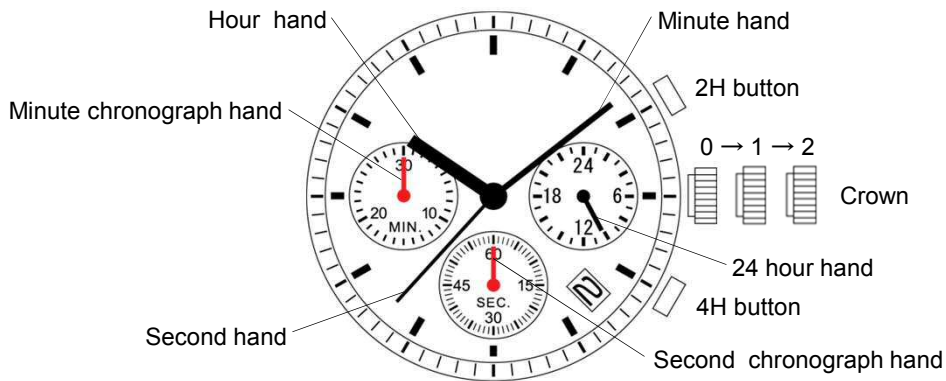


C view



D view



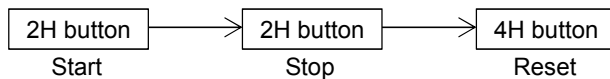


	Crown position		
	0 click	1st click	2nd click
Crown	Free	Turn counterclockwise for date change	Time setting
2H button	Chronograph Start/Stop Restart	Chronograph Start/Stop Restart	Chronograph hands 0-setting (clockwise)
4H button	Chronograph Reset Split Split release	Chronograph Reset Split Split release	Chronograph hands 0-setting (counterclockwise)

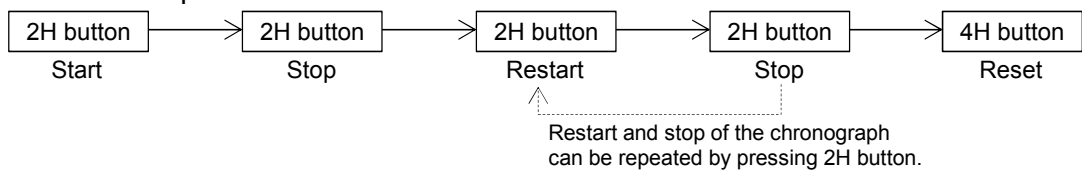
Chronograph function

Second chronograph hand is capable of timing 30 minutes. (60 seconds x 30 times)
 Minute chronograph hand is capable of timing 30 minutes.

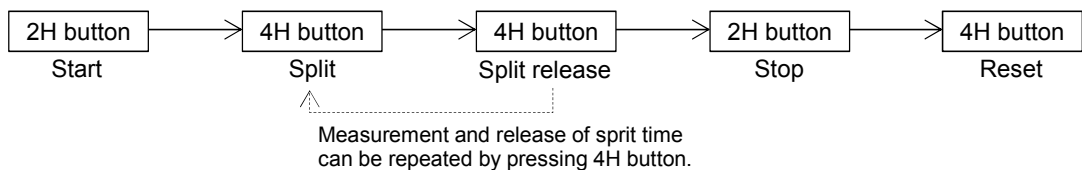
■ Standard measurement



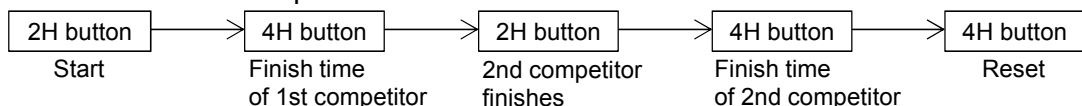
■ Accumulated elapsed time measurement



■ Split time measurement



■ Measurement of two competitors



1. Case

Please use the metal case back to prevent from the movement mal-function by static electricity.

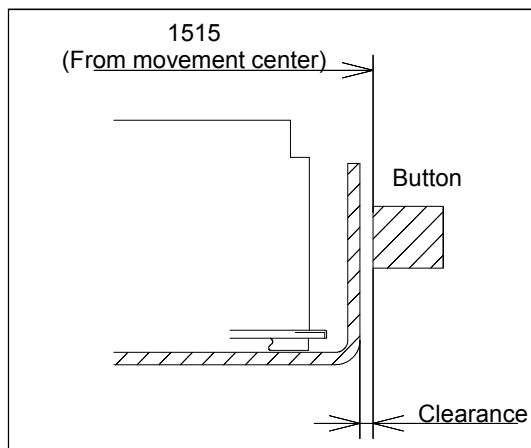
2.Hour Wheel

When set and remove the hour hand repeatedly, it may reduce the hand fixing torque because the hour wheel is made by plastic.

To ensure the enough fixing torque, it isn't recommended to re-assemble the hour hand more than five times.

3. Button position

Please keep the clearance between the movement and the tip of button to prevent the interference in assembling and enable to be cased smoothly.



To keep the clearance, it is recommended to use button spring.