

Watch Movement Specification and Drawing

MINI & SLIM

Cal. VX00A

Movement Size

4 3/4''

Casing Diameter

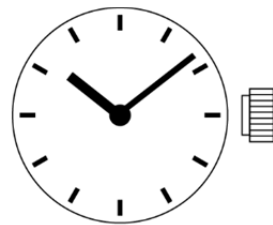
10.8 × 13.75 mm

Height

2.09mm

Battery Life

3 years



Date: 27/Feb./'15

Cal. VX00A

Items	Rev.	Page
Specifications	05	1
Appearance	02	2
Casing	04	3
Hand fitting	02	4
Hand setting stem	03	5
Dial	02	6
Casing ring	01	7

Analog Quartz 4 3/4" Slim Movement / Two Hands(H/M)

1. MOVEMENT DIMENSIONS

Outside diameter	10.80mm(3-9H) × 14.50mm(12-6H)
Casing diameter	10.80mm(3-9H) × 13.75mm(12-6H)
Total height	2.09mm(including battery)

2. TIME STANDARD

Type of quartz oscillator	Tuning fork
Frequency of quartz oscillator	32,768 Hz
Accuracy	±20 seconds per month (on wrist)
Operating temperature range	−5°C to +50°C
Regulation device	Nil (Pre-adjusted)

3. INDICATOR / FUNCTIONS

2 Hands	Hour / Minute
Reset switch	
Setting mechanism	Crown at normal position : Free
	Crown pulled out 1st click : Time setting / Reset

4. FEATURES

Jewels	0 Jewels
Anti-magnetism	Over 1600A/m (Direct current magnetic field)
Maximum unbalance of hands	Hour hand : 0.13 μ N·m
	Minute hand : 0.15 μ N·m

5. BATTERY

Type / Size	Silver oxide battery / φ 5.8mm × t 1.65mm
Recommended battery	SR516SW (Maxell, Sony, Seizaiken)
Nominal voltage	1.55 V
Battery life	Approx. 3 years
Driving current consumption	Approx. 0.25 μ A
Operation stopping voltage	1.0 V

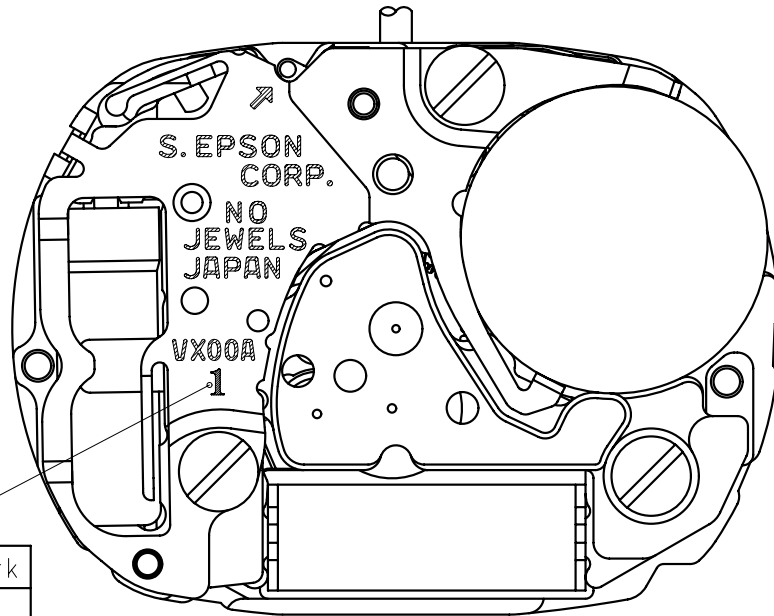
6. SEPARATED PARTS (Parts code)

Hour wheel	0271813(Type S) or 0271829(Type L)
Dial washer	0491735
Hand setting stem	0351807 or 0351808 or 0351819 or 0351818
Battery	SR516SW

7. TEST OF ACCURACY

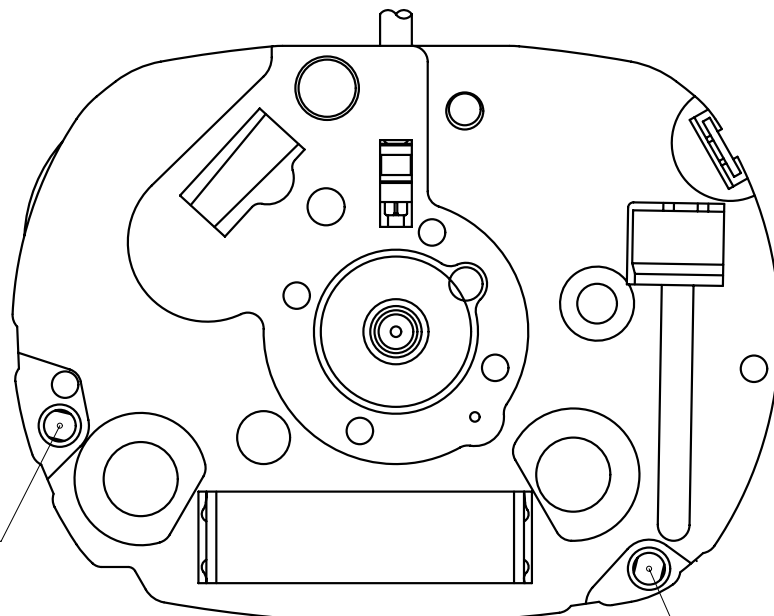
Equipment to be used	SEIKO quartz tester QT-99, Greiner quartz timer-C , Witschi Q-tester 4000
Duration of measurement	10 seconds
Microphone to be used	Electromagnetic detection type

All specifications are subject to change without notice.

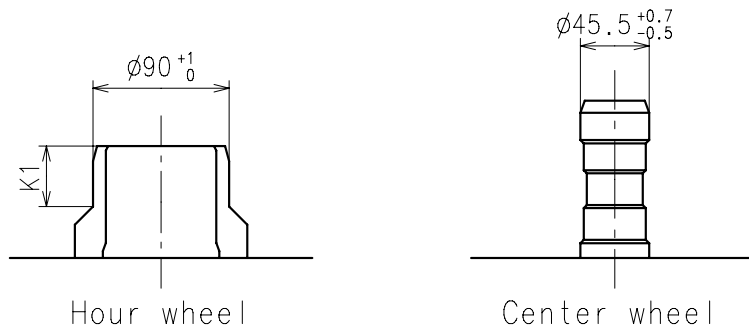


Hands type

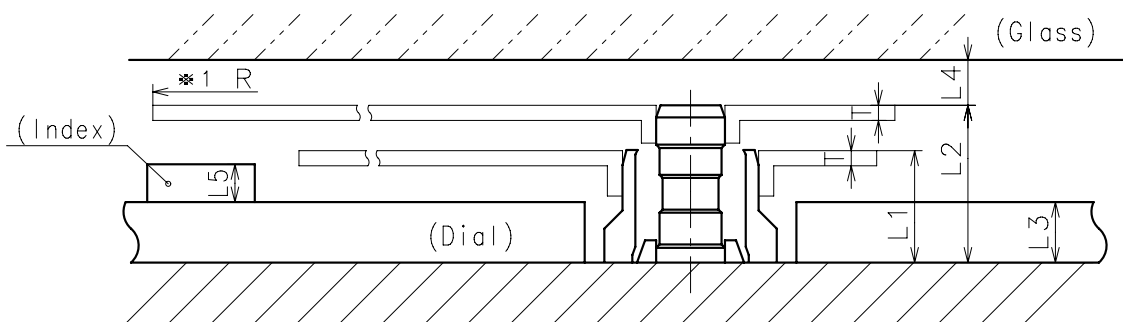
	Mark
Type S (1)	1
Type L (3)	3



- * Hour hand unbalance $\leq 0.13\mu \text{ N} \cdot \text{m}$ ($13\mu \text{ g} \cdot \text{m}$)
- * Minute hand unbalance $\leq 0.15\mu \text{ N} \cdot \text{m}$ ($15\mu \text{ g} \cdot \text{m}$)

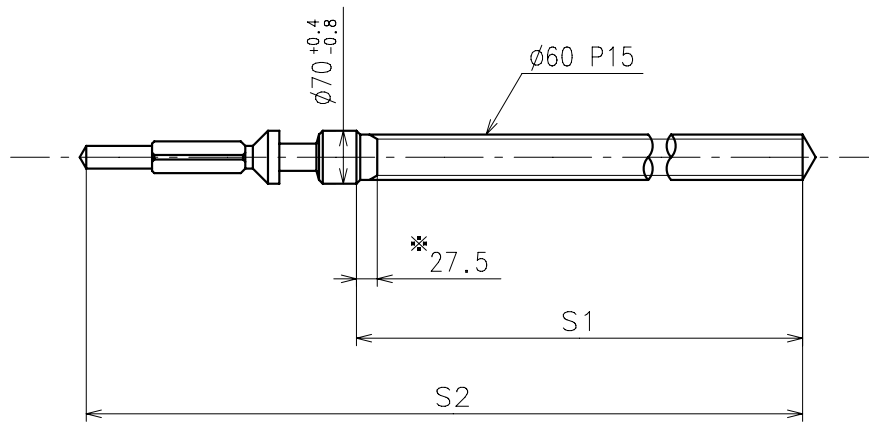


	Parts No.		Dimension
	Hour wheel	Center wheel	K1
Type S (1) VX00A1	0271813	0221813	40
Type L (3) VX00A2	0271829	0221829	40



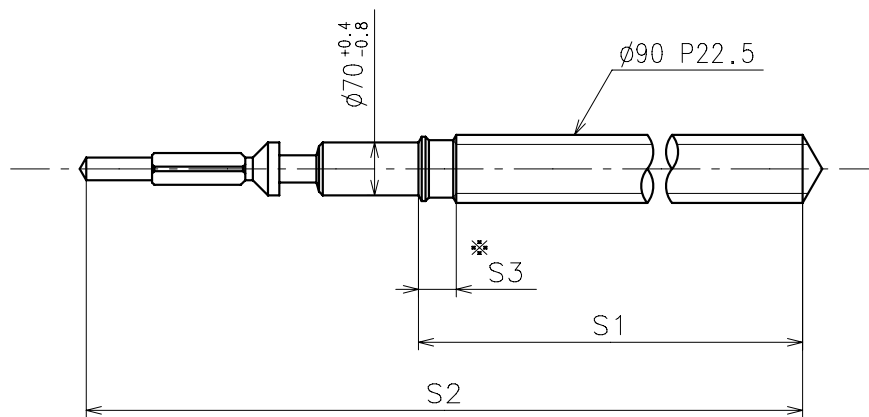
	L1	L2	L3	L4	L5	T	*1 R
Type S (1) VX00A1	74	104	40	MIN: 30	MAX: 25	10	MAX: 750
Type L (3) VX00A2	122	152	90	MIN: 30	MAX: 25	10	MAX: 750

*1: It is the size taken into consideration for hands attachment.
Please observe some standard value specified in unbalance when using long hands.



※ Not threaded

	Part No.	S1	S2
Type-1 (Standard)	0351807	935	1292.3
Type-2	0351808	1245	1602.3



※ Not threaded

	Part No.	S1	S2	S3
Type-3	0351819	1148	1577	50
Type-4	0351818	2148	2577	1050

Material : Steel

Hardness : Vickers 600±50

