

Cal. VJ12B

ϕ 20.00 mm

H 2.71 mm

Item	Version No.
Specification	Version 5
Appearance	Version 2
Casing	Version 7
Hand Fitting	Version 2
Hand Setting Stem	Version 6
Dial - 1	Version 4
Dial - 2	Version 4
Casing Ring	Version 5
Assembly Plan	Version 6
Hands	Version 5



MOVEMENT SPECIFICATIONS

CAL.VJ12B 8 3/4 Ligne Quartz Movement Three Hands with Calendar

1. MOVEMENT DIMENSIONS

- Outside diameter 18.20mm (12H~6H) x 18.00mm (3H~9H), ϕ 20.00mm
- Casing diameter 17.00mm (3H~9H), ϕ 19.40mm
- Total height 2.71 mm (including the battery)

2. TIME STANDARD

- Type of quartz oscillator Tuning fork
- Frequency of quartz oscillator 32,768 H Z
- Accuracy Monthly rate: Less than 20 seconds per month at normal temperature range
- Regulation device Nil
- Regulation hands unbalance
 - Second : Less than 0.07 μ N·m (7mg·mm)
 - Minute : Less than 0.30 μ N·m (30mg·mm)
 - Hour : Less than 0.30 μ N·m (30mg·mm)

3. BATTERY

- Type Silver oxide battery
- Size ϕ 6.8 x t 2.1 (mm)
- Battery life Approx. 3 years
- Recommended battery SR621SW (SEIZAIKEN)

4. STEPPING MOTOR

- Type Two pole stepping motor
- Step 180° every second

5. JEWEL

0 jewel

6. ANTIMAGNETISM

(direct current magnetic field)

\geq 1600 A / m

7. SHOCK RESISTANCE

On equal level with general quartz movement

8. OPERATING TEMPERATURE RANGE

From - 5°C to + 50°C

9. SETTING MECHANISM

- Crown at normal position Free
- Crown pulled out to 1st click Clockwise : Instant date change
- Crown pulled out to 2nd click Time setting, second setting and reset switch

10. TEST OF ACCURACY

- Equipment to be used Quartz Tester QT - 99
Greiner Quartz Timer - C
Witschi Q-Tester 4000
- Duration of measurement 10 seconds
- Microphone to be used Electromagnetic detection type (DM-1)

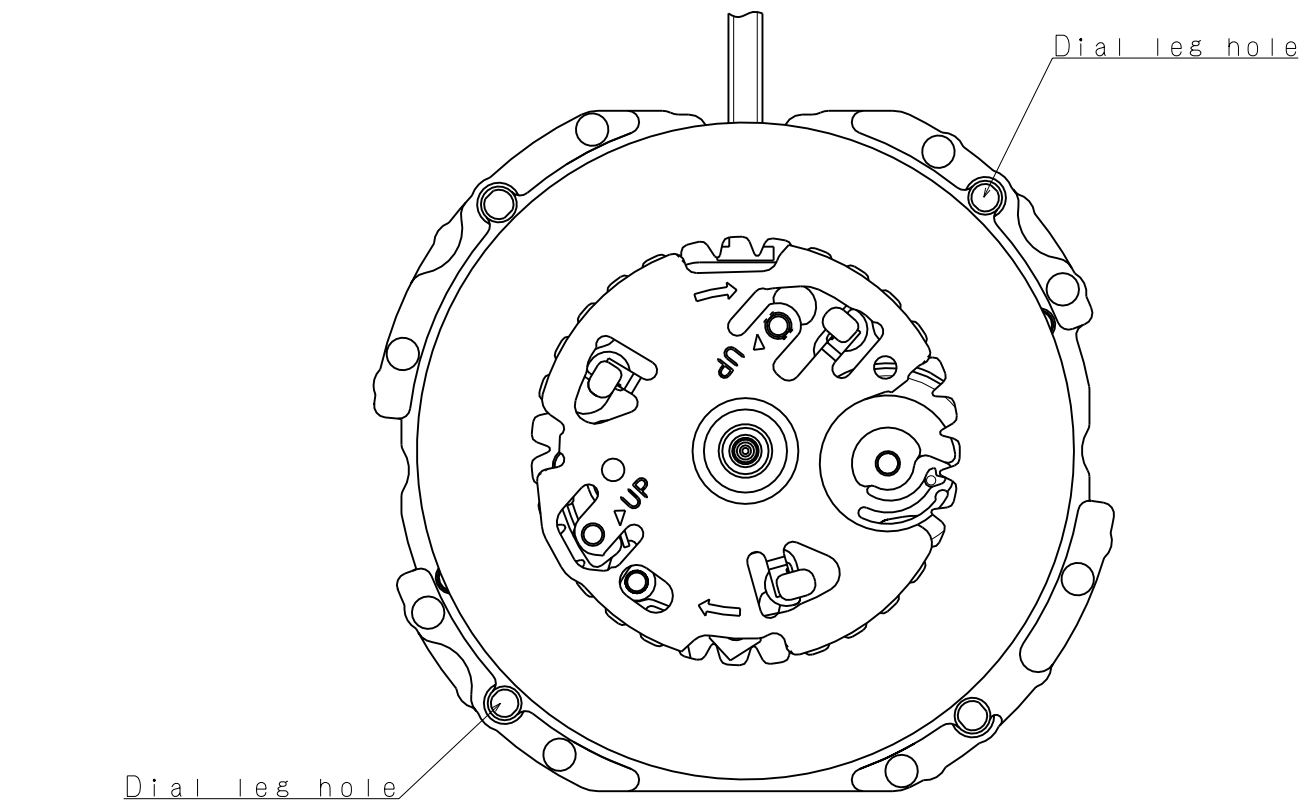
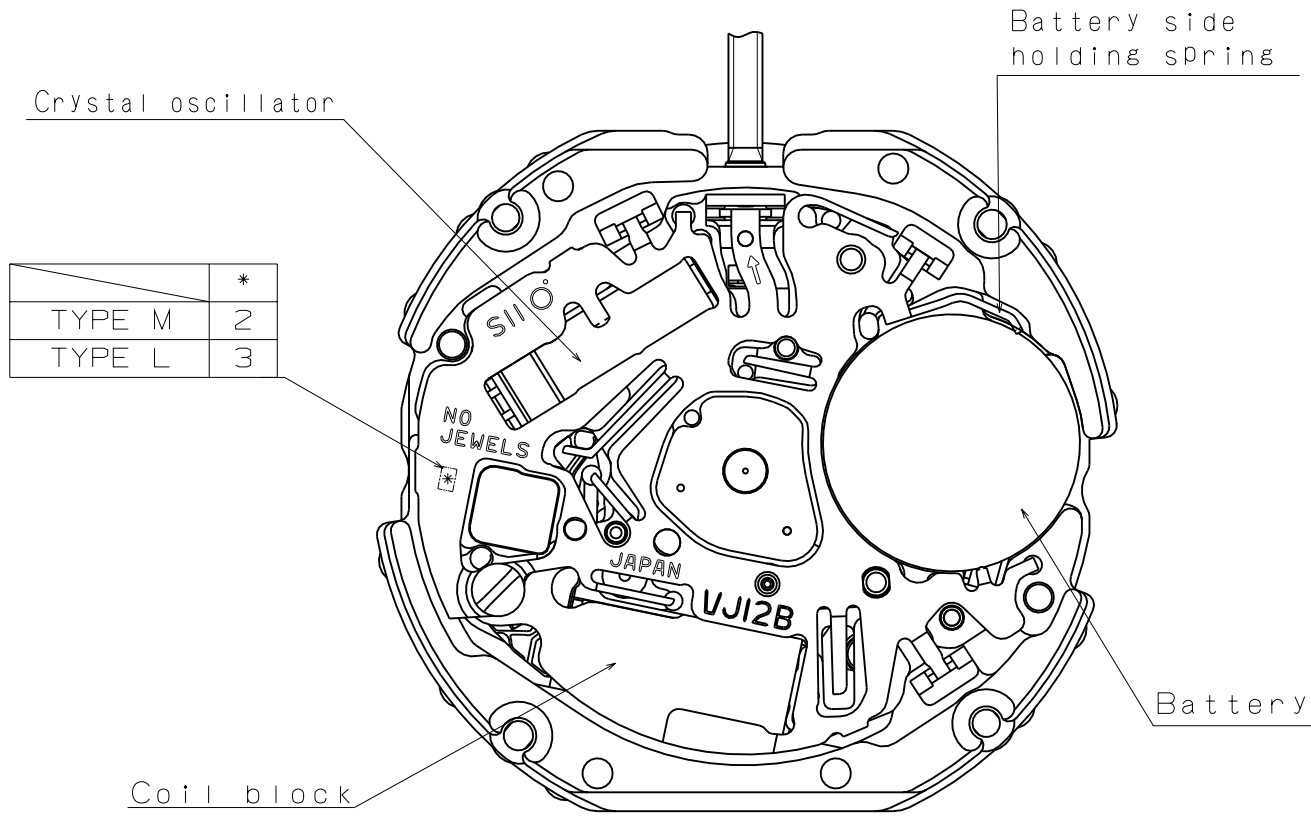
11. ATTACHED PARTS

Parts Name	Parts Code
Silver oxide battery	3016 - 17G0
Hand setting stem	0351-3320 (Regular) / 0351-0010 (Long)

*** All specifications are subject to change without notice.**

SII Products

Version: 5



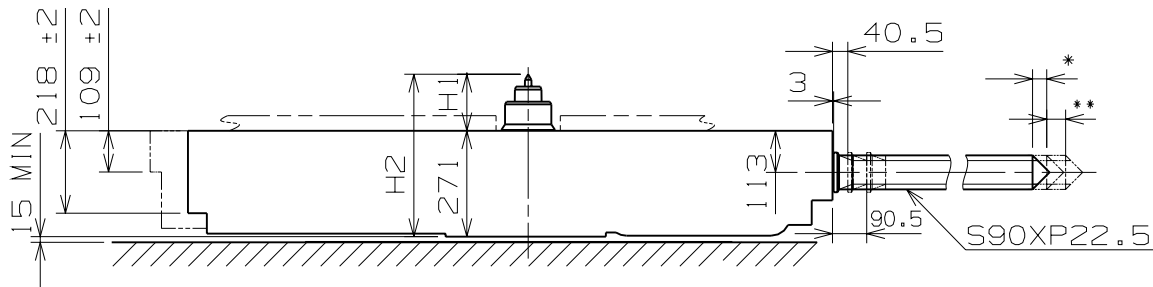
Scale : 5/1
Unit : 1=1/100mm

Version:2

Battery Side holding spring Type.

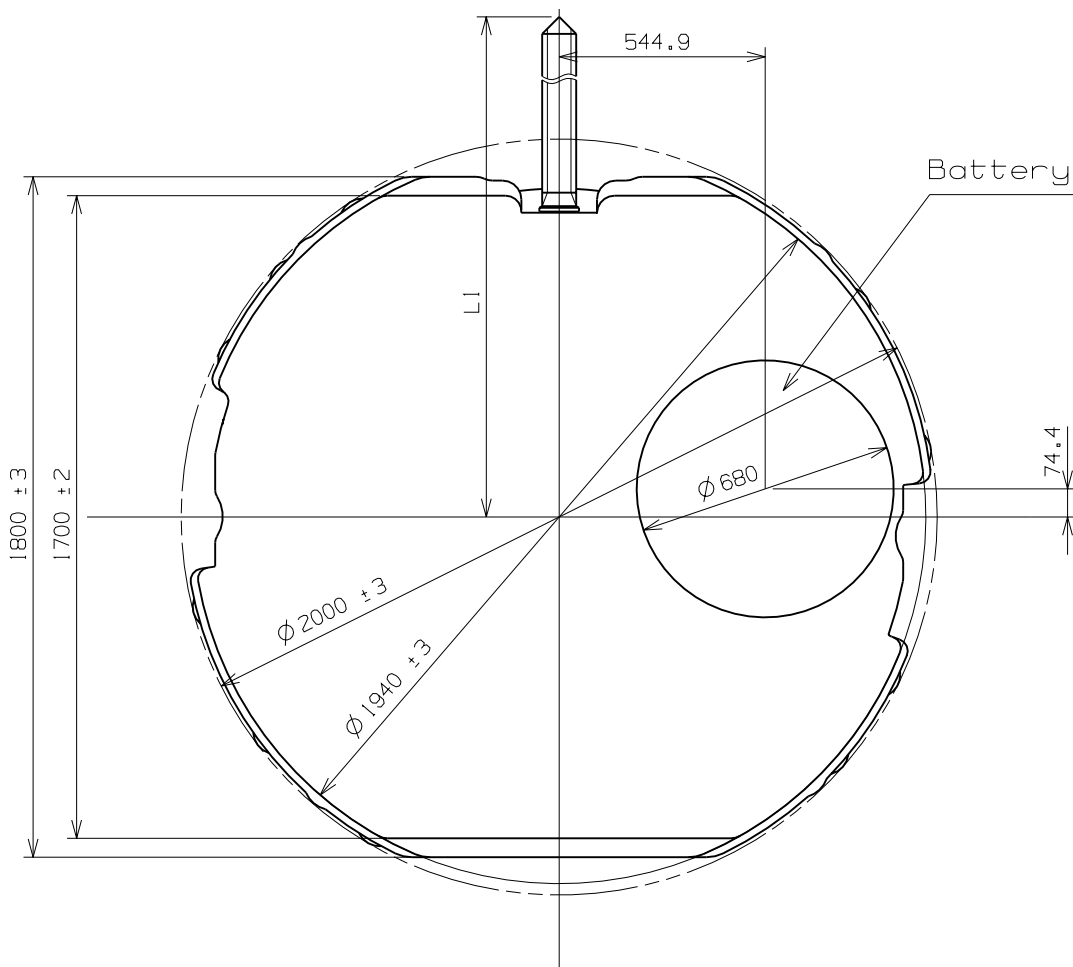
* First Pull out Stroke 37.5

** Second Pull out Stroke 50



Center post		TYPE M	TYPE L
Maximum height from main plate surface	H1	149.7	208.8
Total height incl. movement	H2	420.7	479.8

Hand Setting Stem	TYPE A	TYPE B
L1	2003	2413



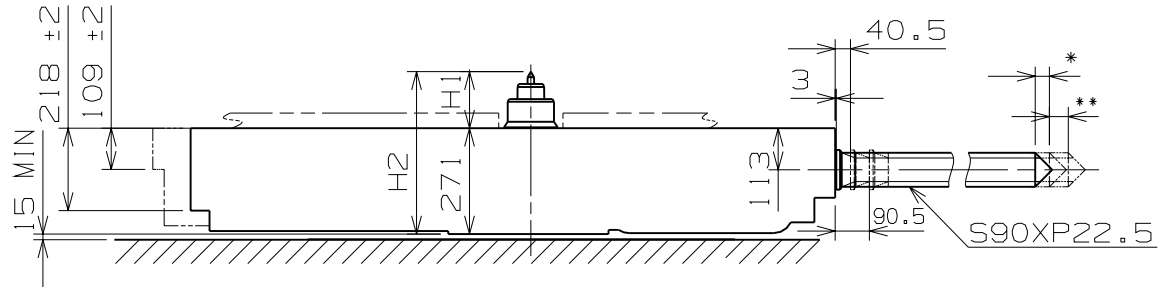
Scale : 5/1
Unit : 1=1/100mm

Version:7

Battery Side holding spring Type.

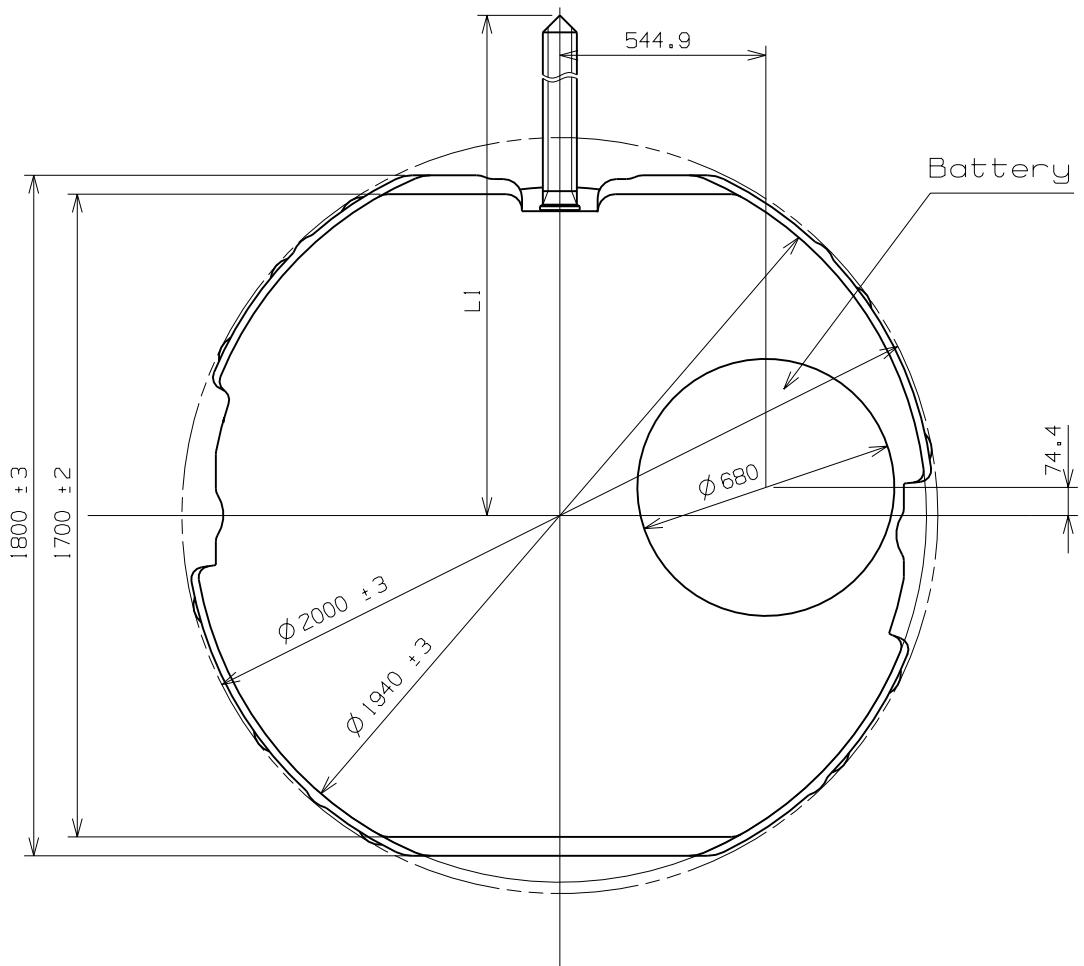
* First Pull out Stroke 37.5

** Second Pull out Stroke 50



Center post 中心柱位		Type M 一般針高	Type L 高針
Maximum height from main plate surface 與機芯平面之最大高度	H1	149.7	208.8
Total height incl. movement 機芯總高度	H2	420.7	479.8

Hand Setting Stem	TYPE A	TYPE B
L1	2003	2413



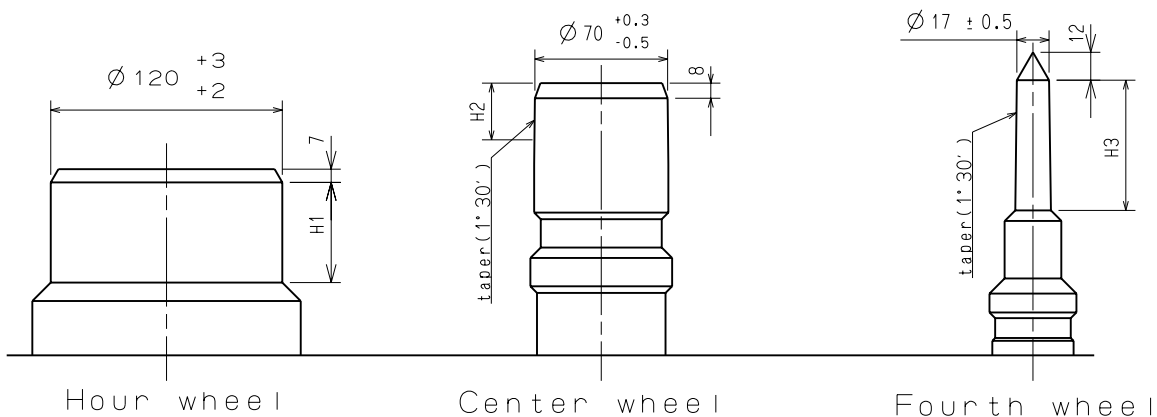
Scale : 5/1
Unit : 1=1/100mm

Version:7

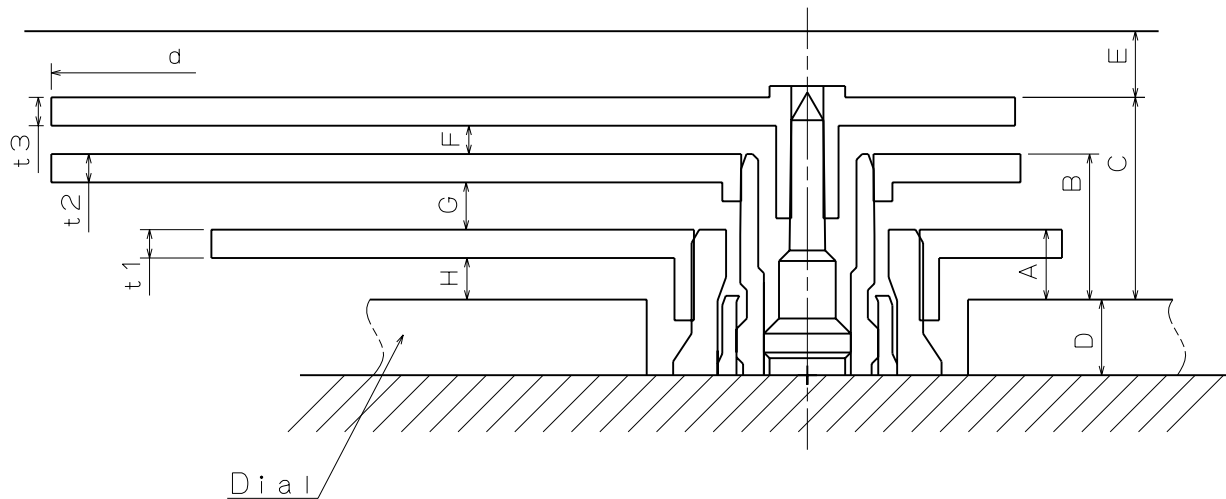
Hour hand unbalance $\leq 0.3\mu\text{N}\cdot\text{m}$ (30mg·mm)

Minute hand unbalance $\leq 0.3\mu\text{N}\cdot\text{m}$ (30mg·mm)

Second hand unbalance $\leq 0.07\mu\text{N}\cdot\text{m}$ (7mg·mm)



	Part. No.			Dimension		
	Hour wheel	Center wheel	Fourth wheel	H1	H2	H3
TYPE M	0273 0210	0221 0550	0144 0970	48	27	69
TYPE L	0273 0230	0221 0580	0144 0980	57	27	69



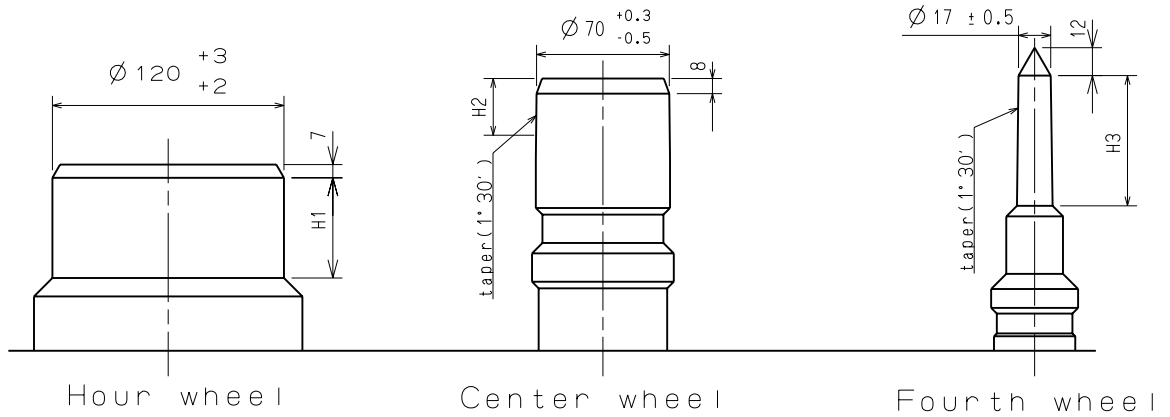
	A	B	C	D	E	F	G	H	t1	t2	t3	d
TYPE M	37	77	107	40	35	15	25	22	15	15	15	∅ 2500
TYPE L	37	86	121	85	35	20	34	22	15	15	15	∅ 2500

Scale : 25/1

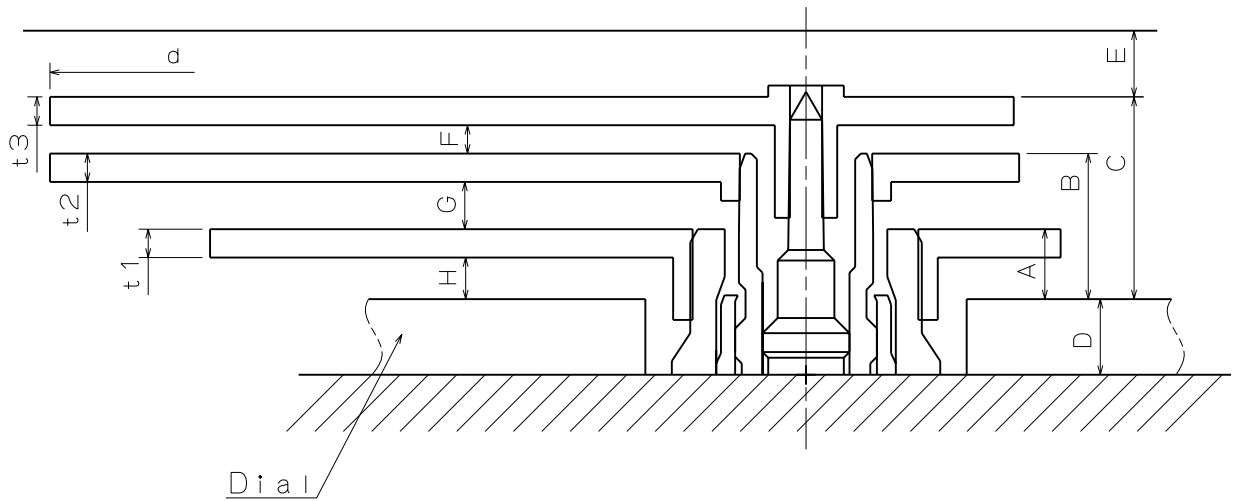
Version : 2

Unit : 1=1/100mm

Hour hand unbalance $\leq 0.3\mu\text{N}\cdot\text{m}$ (30mg·mm)
 Minute hand unbalance $\leq 0.3\mu\text{N}\cdot\text{m}$ (30mg·mm)
 Second hand unbalance $\leq 0.07\mu\text{N}\cdot\text{m}$ (7mg·mm)



	Part. No.			Dimension		
	Hour wheel 時針輪	Center wheel 分針輪	Fourth wheel 秒針輪	H1	H2	H3
Type M 一般針高	0273 0210	0221 0550	0144 0970	48	27	69
Type L 高針	0273 0230	0221 0580	0144 0980	57	27	69

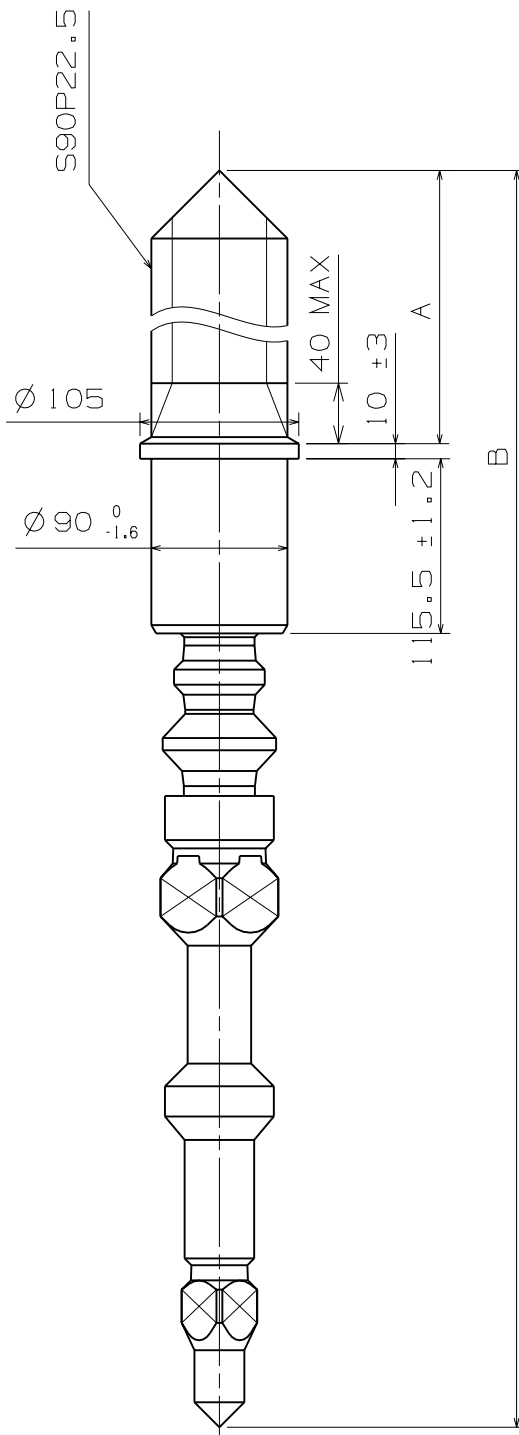


	A	B	C	D	E	F	G	H	t1	t2	t3	d
Type M 一般針高	37	77	107	40	35	15	25	22	15	15	15	∅ 2500
Type L 高針	37	86	121	85	35	20	34	22	15	15	15	∅ 2500

Scale : 25/1

Version : 2

Unit : 1=1/100mm

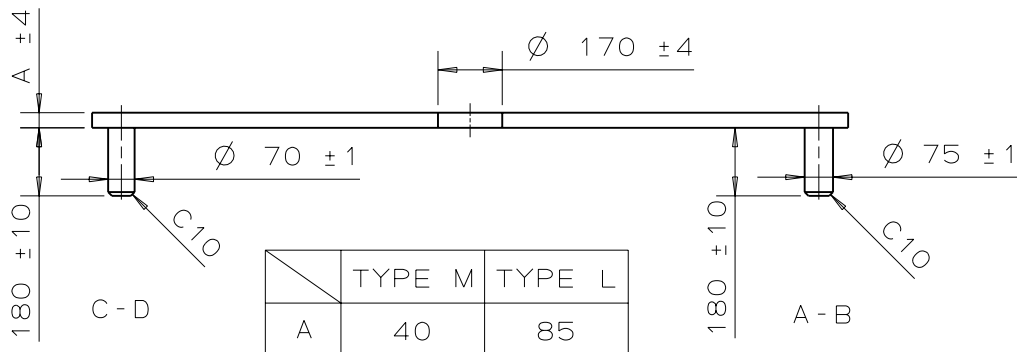
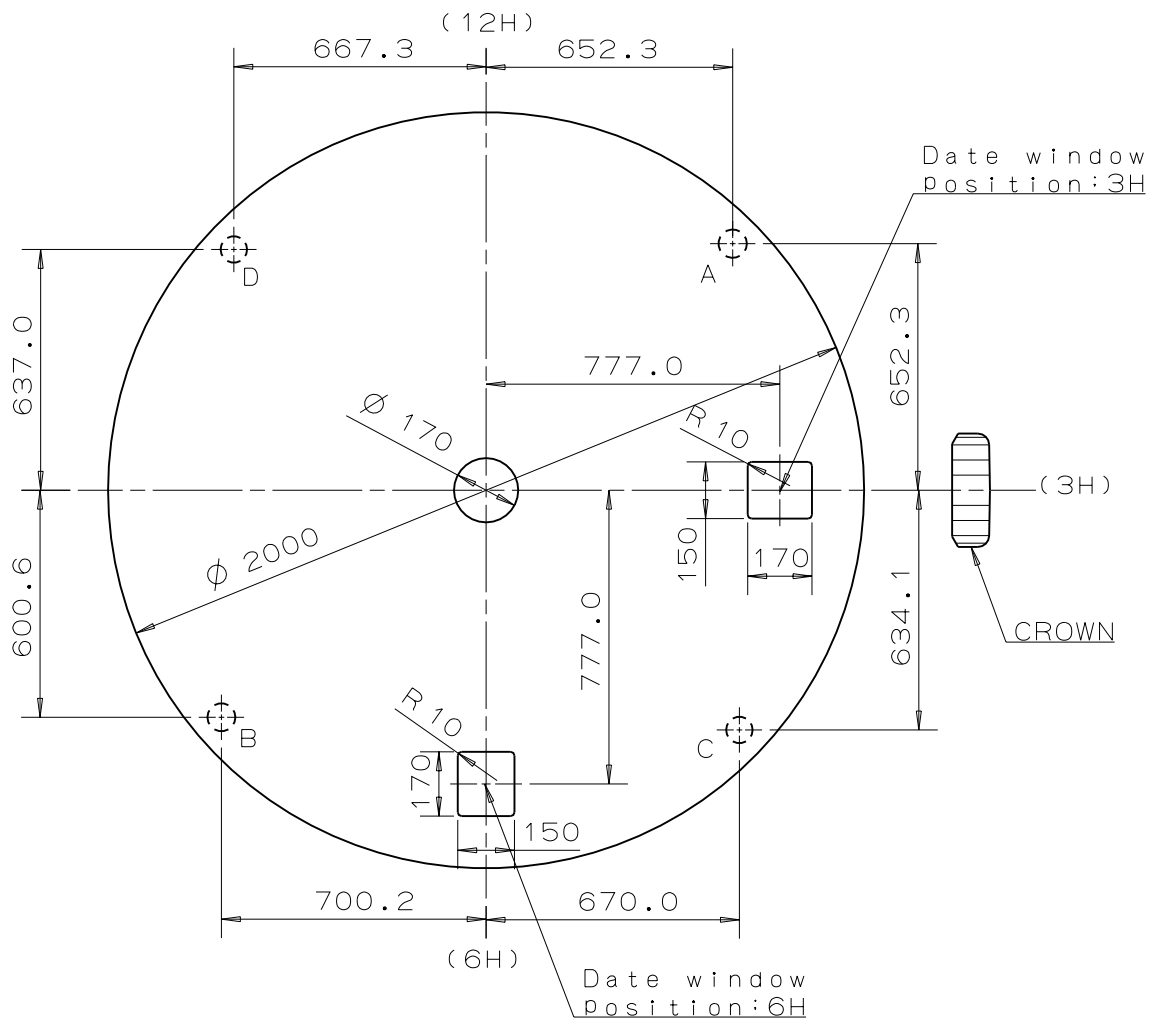


	Part.No.	A	B
TYPE A	0351 3320	1185	1835.5
TYPE B	0351 0010	1595	2245.5

Scale : 20/1

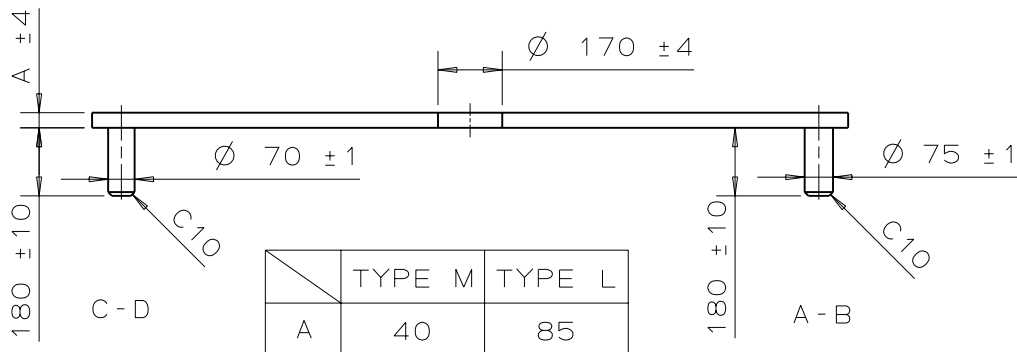
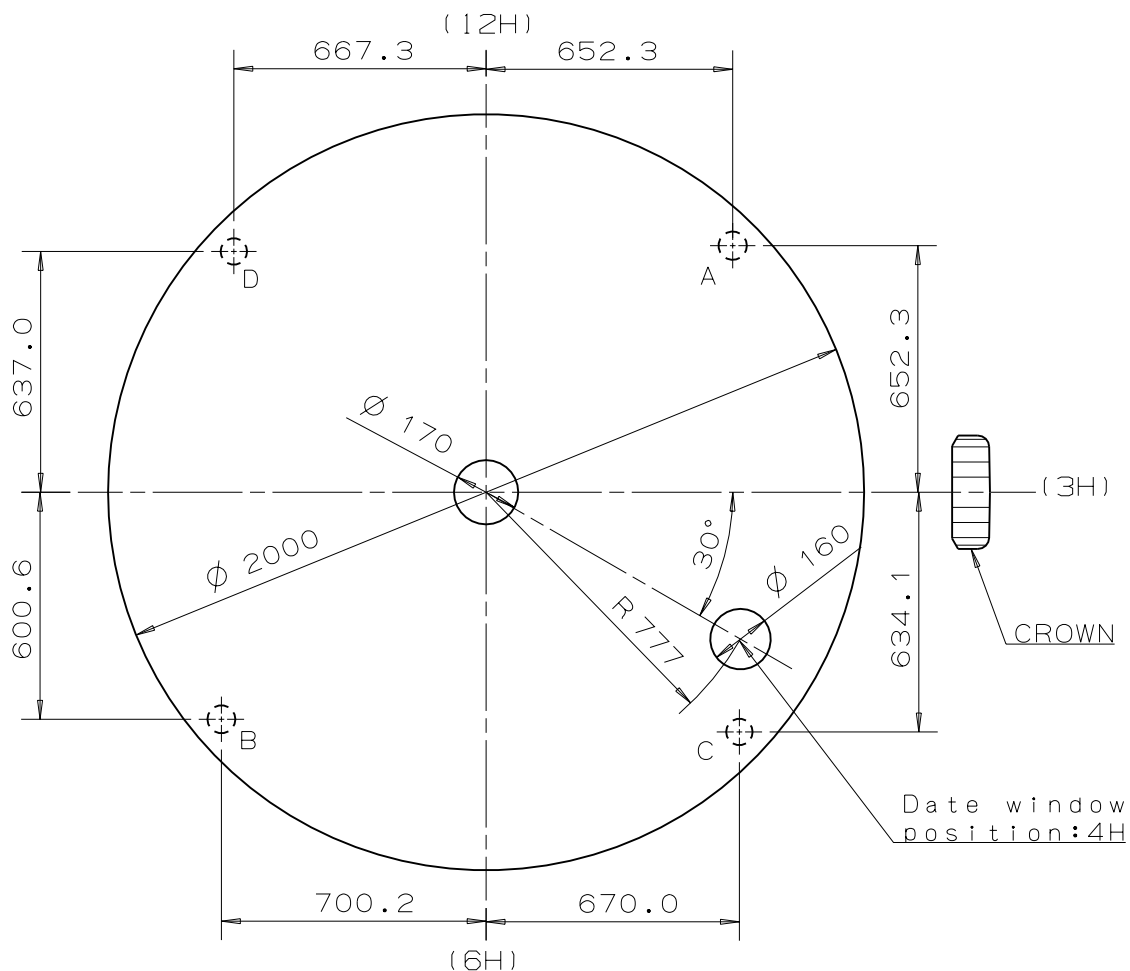
Unit : 1=1/100mm

Version:6



Scale : 5/1
Unit : 1=1/100mm

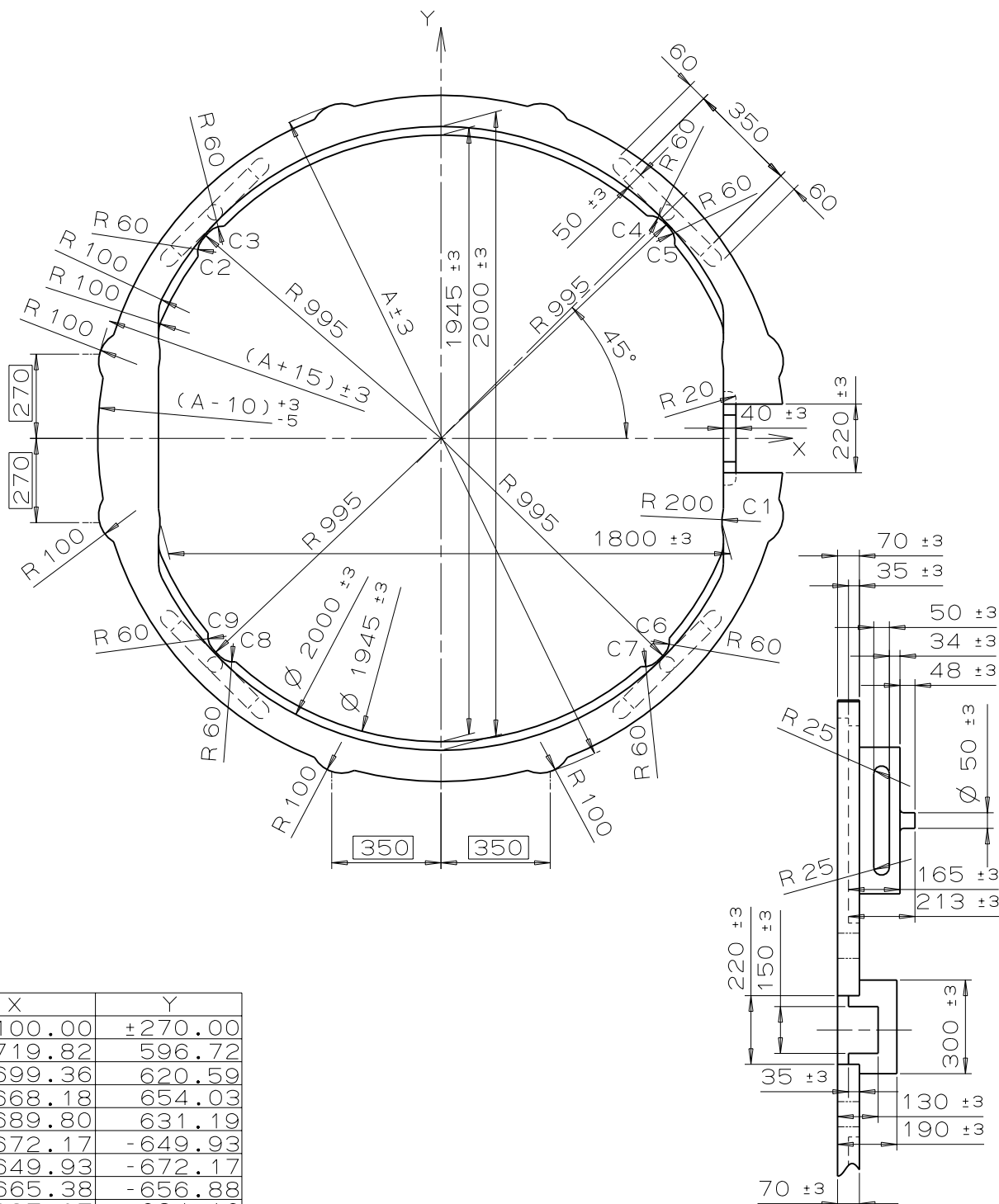
Version:4



Scale : 5/1

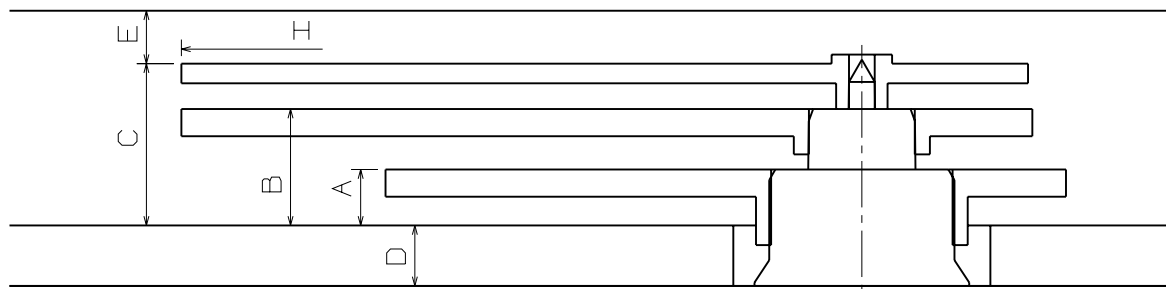
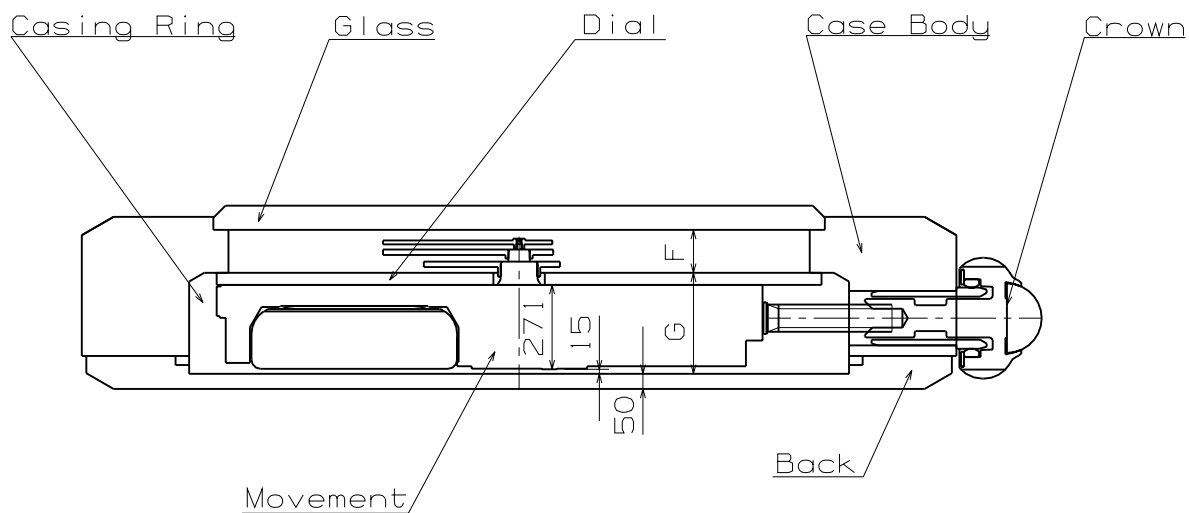
Unit : 1=1/100mm

Version:4



Scale : 5/1
Unit : 1=1/100mm

Version:5

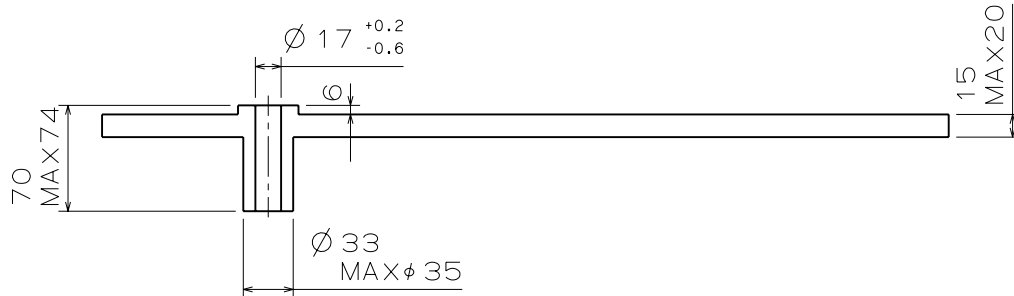


	A	B	C	D	E	F	G	H
TYPE M	37	77	107	40	35	142	326	∅ 2500
TYPE L	37	86	121	85	35	142	371	∅ 2500

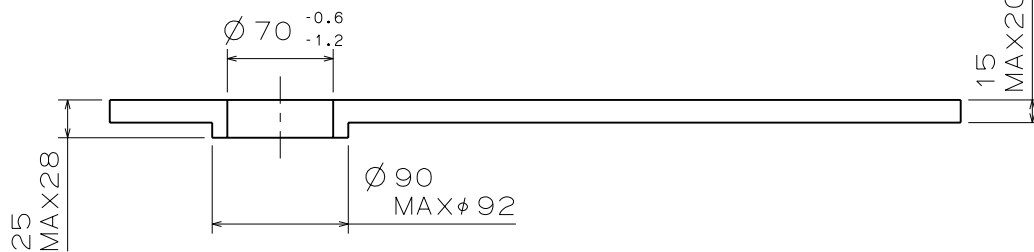
Scale : -
Unit : 1=1/100mm

Version:6

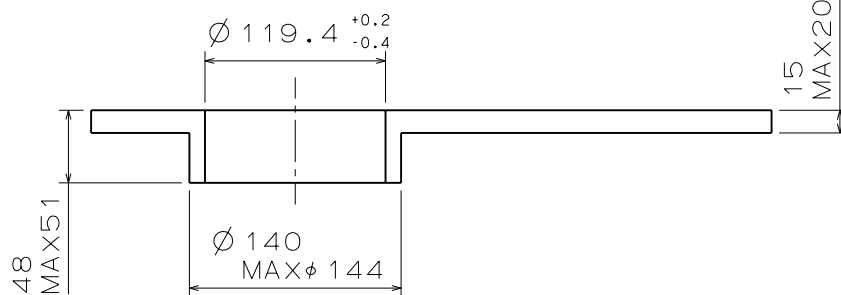
SECOND



MINUTE



HOUR



Scale : 20/1
Unit : 1=1/100mm

Version : 5