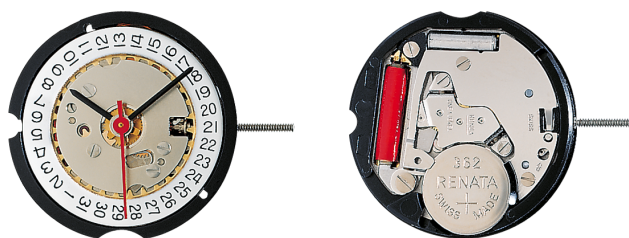


# RONDA powertech 500 and 762E, 763E

Affordable metal movements  
for reliable quality watches

*Caliber 585 – 8<sup>3</sup>/<sub>4</sub>'''*



## Product Specifications

Analog quartz movement

Line powertech

Caliber 585

Size 8<sup>3</sup>/<sub>4</sub>'''

Version Swiss Made 1 Jewels / nickel plated  
Swiss Parts 1 Jewels / nickel plated

Standard battery life 38 months

Hand fitting height 1

## Features

- Repairable metal watch movement
- Power saving mechanism with pulled out stem: Reduction of consumption approximately 70%
- Movement available as 2 or 3 hands version

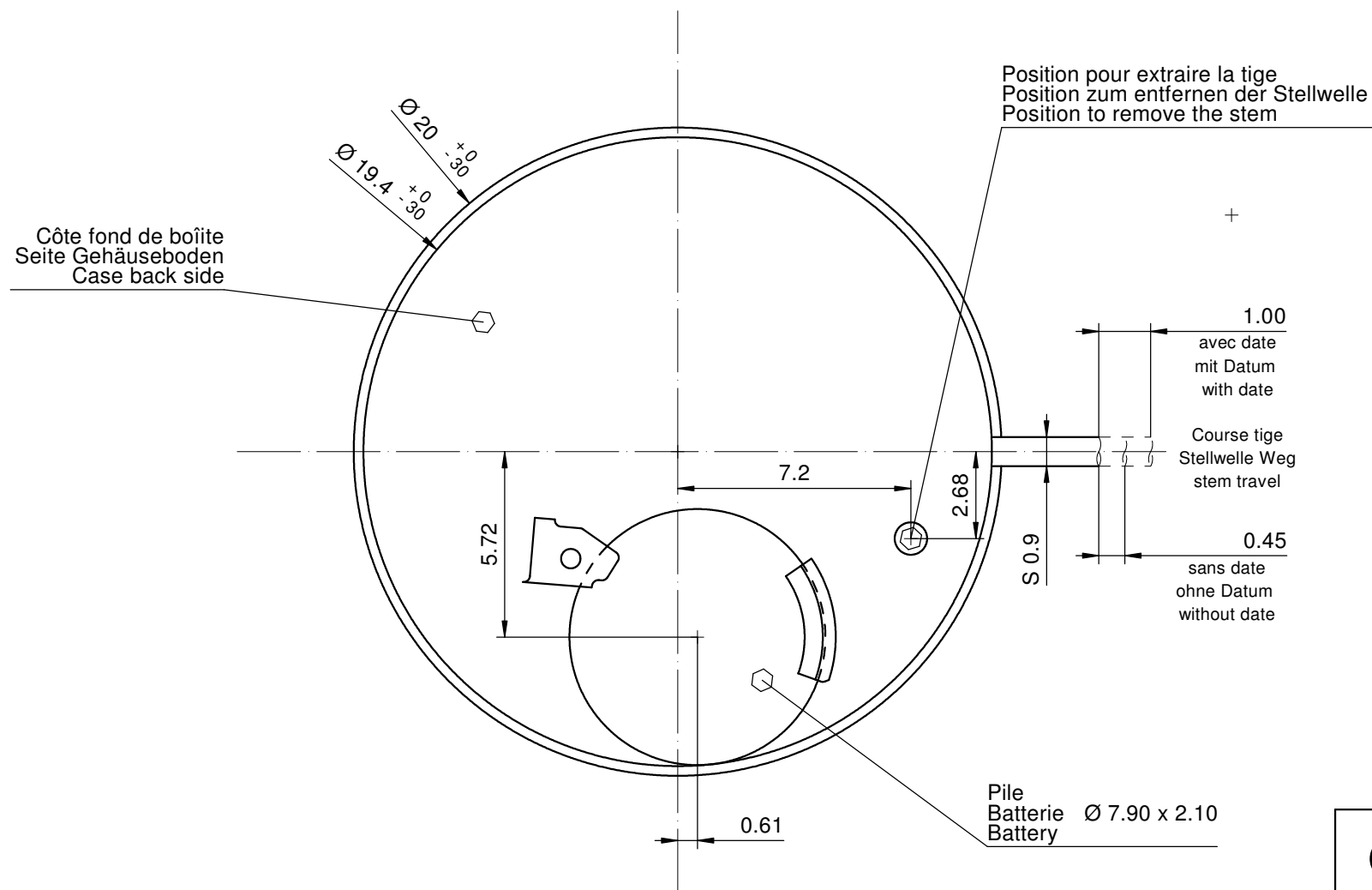
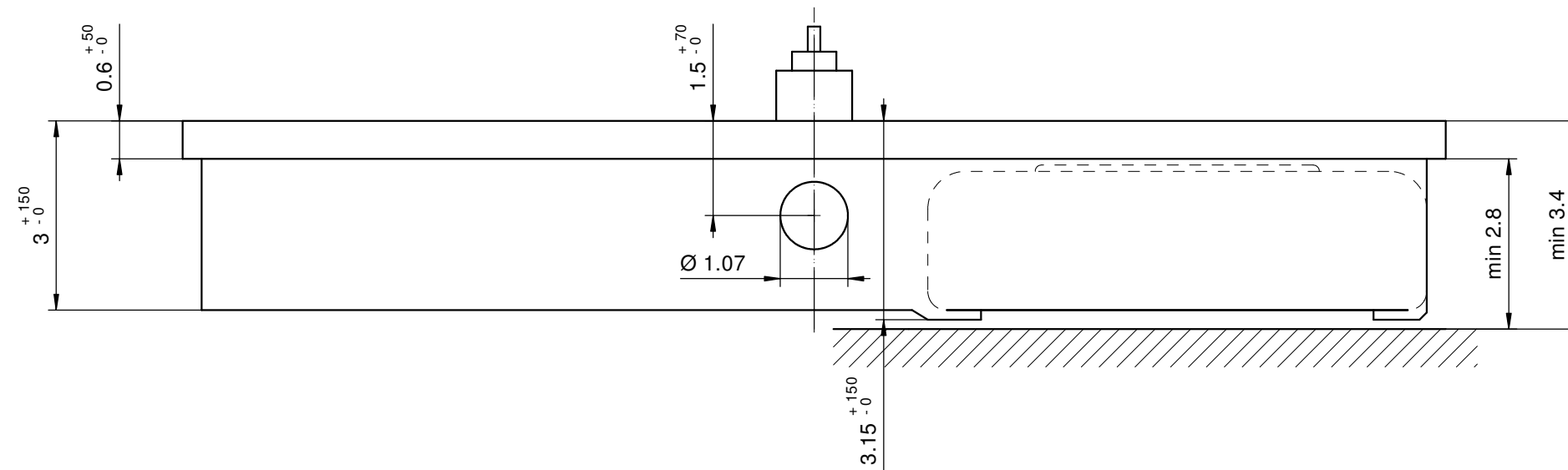
**Functions**

- Date
- 3 hands

**Technical Specifications**

Diameter Total	20.00 mm
Case fitting	19.40 mm
Movement height	3.00 mm
Height over standard battery	3.25 mm
Movement rest	0.60 mm
Height over stem	1.50 mm
Length of stem travel	1.00 mm
Force to push the stem for screwed crown	N
Stem thread	0.90 mm
Standard battery	362
Standard battery life	38 months
Battery voltage	1.5 V
Current consumption – typical	0.9 $\mu$ A (Date Mechanism not in Gear)
Current consumption – maximum	1.35 $\mu$ A (Date Mechanism not in Gear)
Useful torque second – typical	7 $\mu$ Nm
Useful torque minute – typical	350 $\mu$ Nm
Operating temperature	0 - 50 °C
Instantaneous rate	-10/ +20 sec/month
Resistance to magnetic fields	18.8 Oe
Resistance against shock	NIHS 91-10





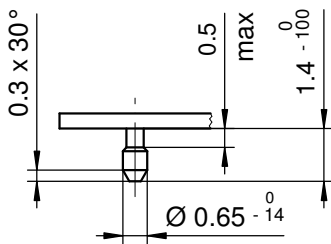
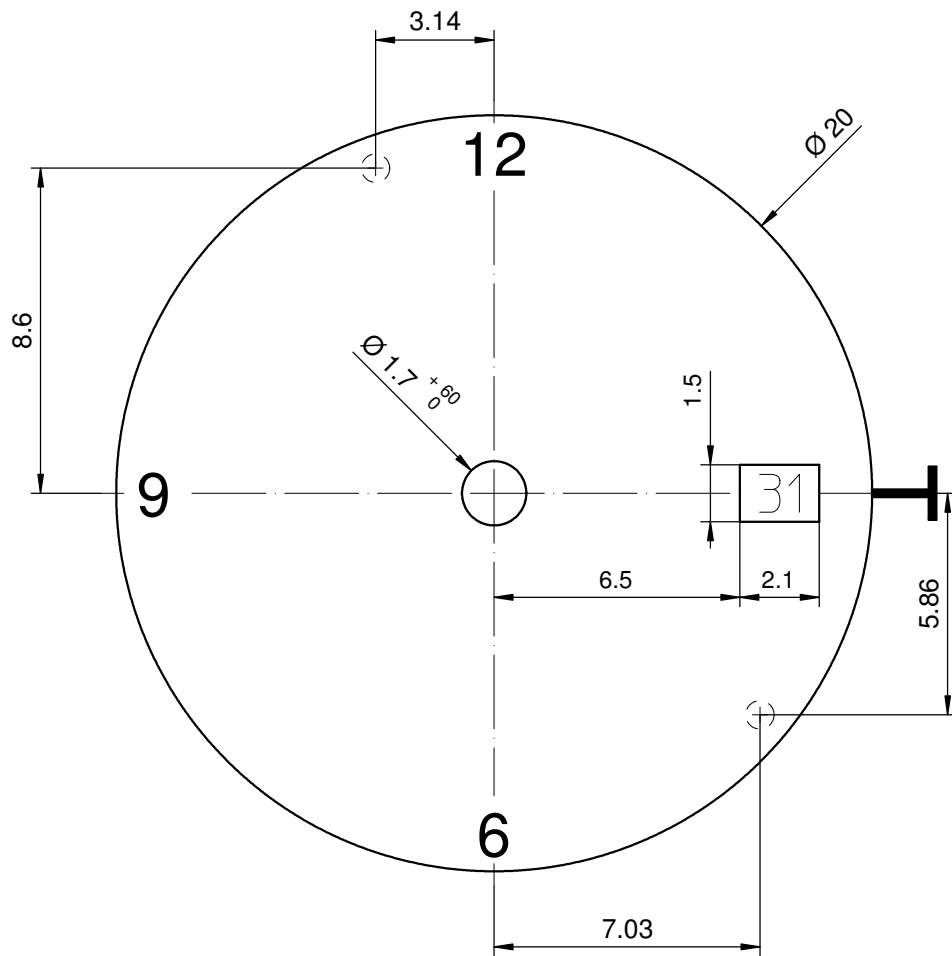
Sécurité entre aiguille seconde et verre : min 0.30 mm  
Sicherheit zwischen Sekundenzeiger und Glas : min 0.30 mm  
Security between second hand and glass : min 0.30 mm

Le cadran doit être maintenu en hauteur par la boîte.  
Das Zifferblatt muss in der Höhe vom Gehäuse festgehalten werden.  
The dial must be held in the height by the case.

### Cage Uhrwerkgestell 8<sup>3</sup>/<sub>4</sub>" Frame

RONDA 582, 583, 585

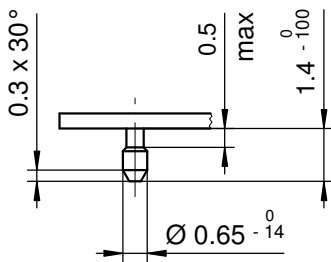
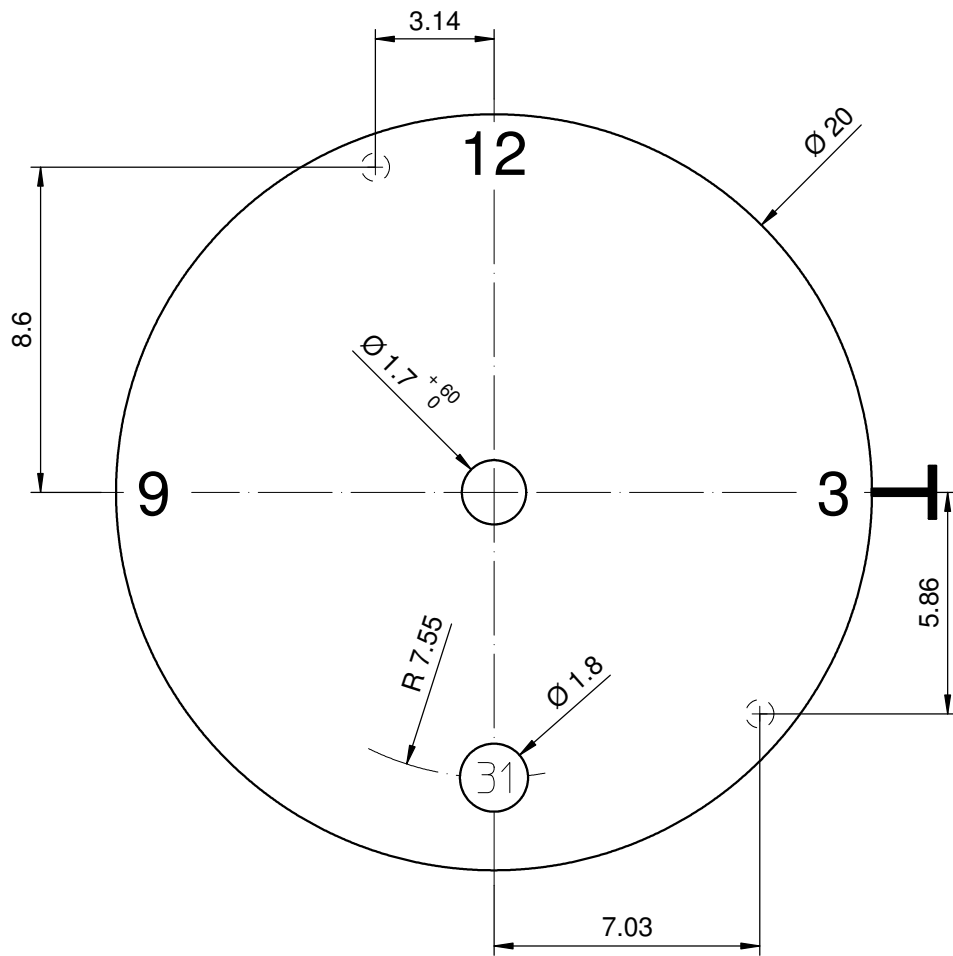
Issued	15.03.1999	ck
Modified	16.11.2017	dh5221
Released	YES	
Mod. No.	36881	
Tolerance	±20 µm	
Scale	10 : 1	Page 1/1 A3
Sous réserve de modifications Aenderungen vorbehalten Modifications reserved		
No.	5000.292	07



Epaisseur du cadran selon hauteur de l'aiguillage  
 Zifferblattdicke gemäss Zeigerwerkhöhen  
 Dial thickness according to hand fitting heights

Tige	Date
Stellw.	Datum
Stem	Date
3H	3H

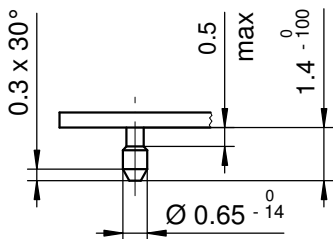
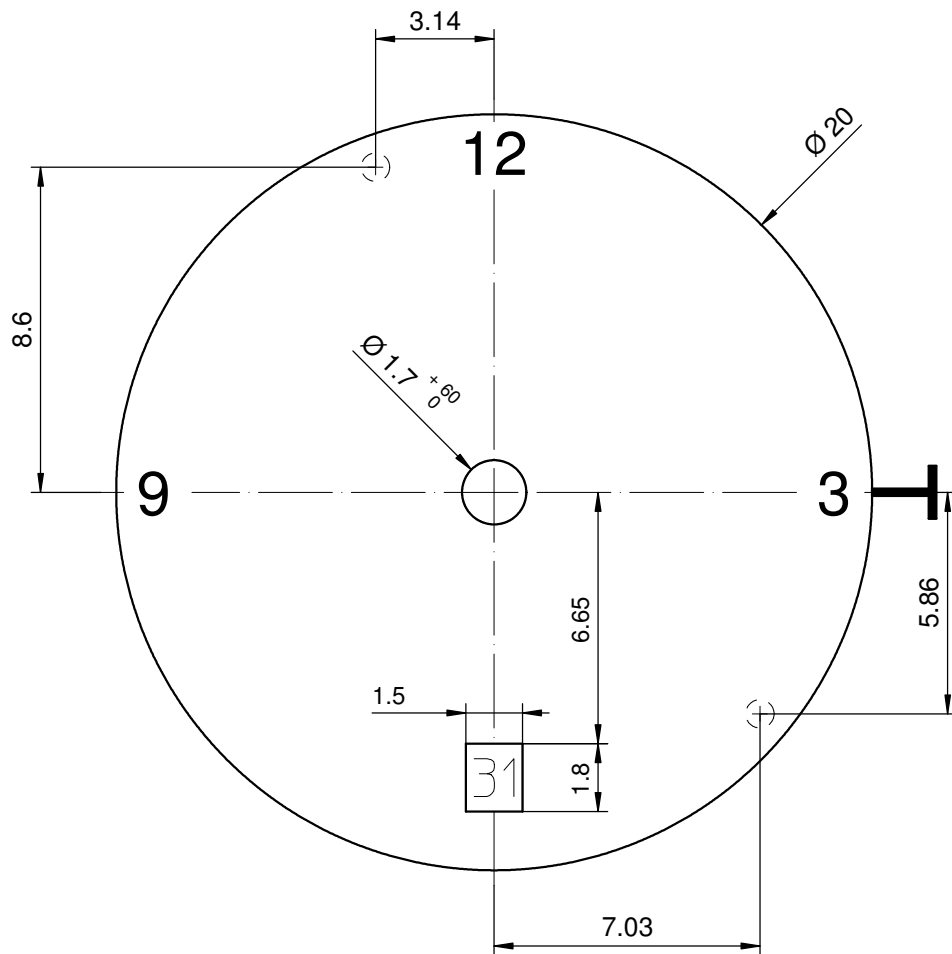
<b>Cadran</b> <b>Zifferblatt</b> <b>Dial</b>	<b>8<sup>3</sup>/<sub>4</sub>"</b>	Issued	17 Mrz 1987	kh
		Modified	13 Aug 2012 ÄA 12806	mc
		Released	YES	
		Tolerance	+/- 20 µm	
		Scale	5 : 1 (A4V)	
<b>RONDA</b>	<b>585, 784, 785, 785Li</b>	Sous réserve de modifications Aenderungenvorbehalten Modificationsreserved		
		No.	5010.357	08



Epaisseur du cadran selon hauteur de l'aiguillage  
 Zifferblattdicke gemäss Zeigerwerkhöhen  
 Dial thickness according to hand fitting heights

Tige	Date
Stellw.	Datum
Stem	Date
<b>3H</b>	<b>6H</b>
○	

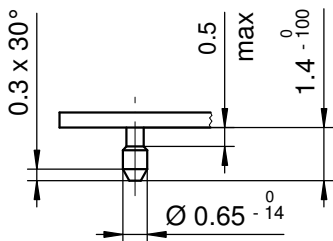
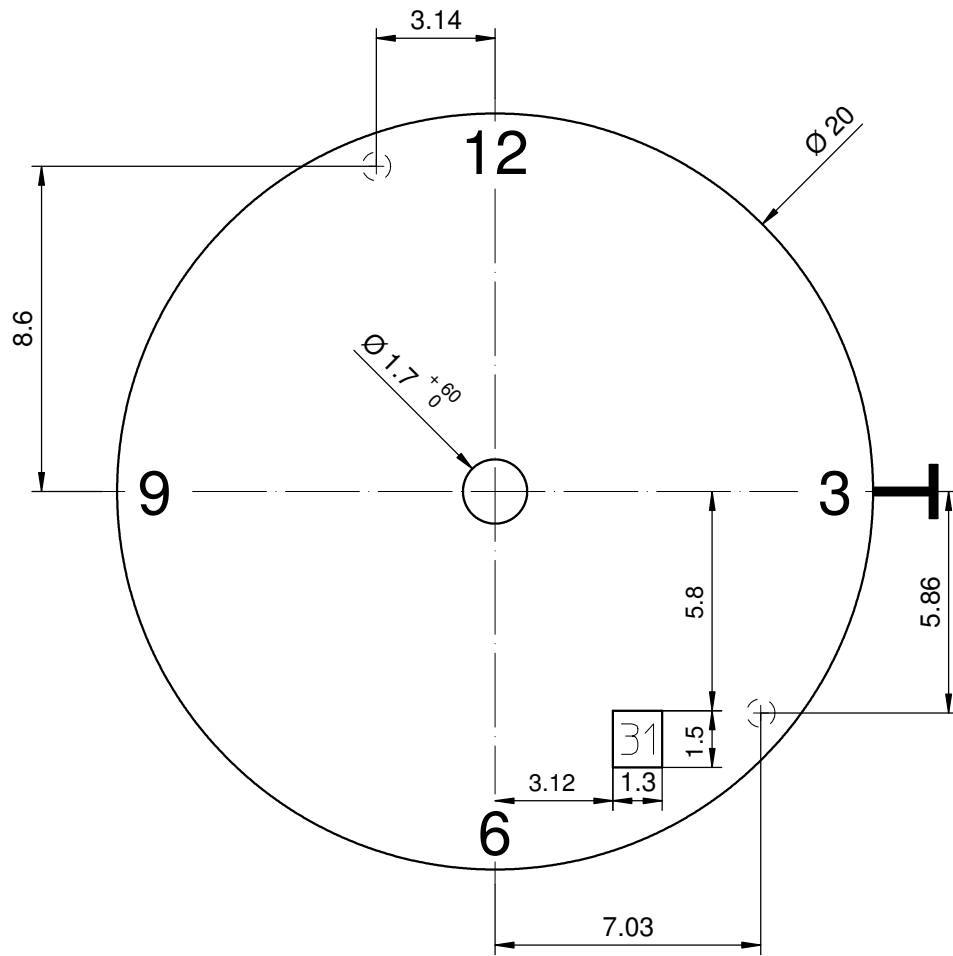
<b>Cadran</b> <b>Zifferblatt</b> <b>Dial</b>	<b>8<sup>3</sup>/<sub>4</sub>"</b>	Issued	12 Dez 2006	cw
		Modified	13 Aug 2012 ÄA 12806	mc
		Released	YES	
		Tolerance	+/- 20 µm	
		Scale	5 : 1 (A4V)	
<b>RONDA</b>	<b>585, 784, 785, 785Li</b>	Sous réserve de modifications Aenderungenvorbehalten Modifications reserved		
		No.	5010.402	06



Epaisseur du cadran selon hauteur de l'aiguillage  
 Zifferblattdicke gemäss Zeigerwerkhöhen  
 Dial thickness according to hand fitting heights

Tige	Date
Stellw.	Datum
Stem	Date
<b>3H</b>	<b>6H</b>

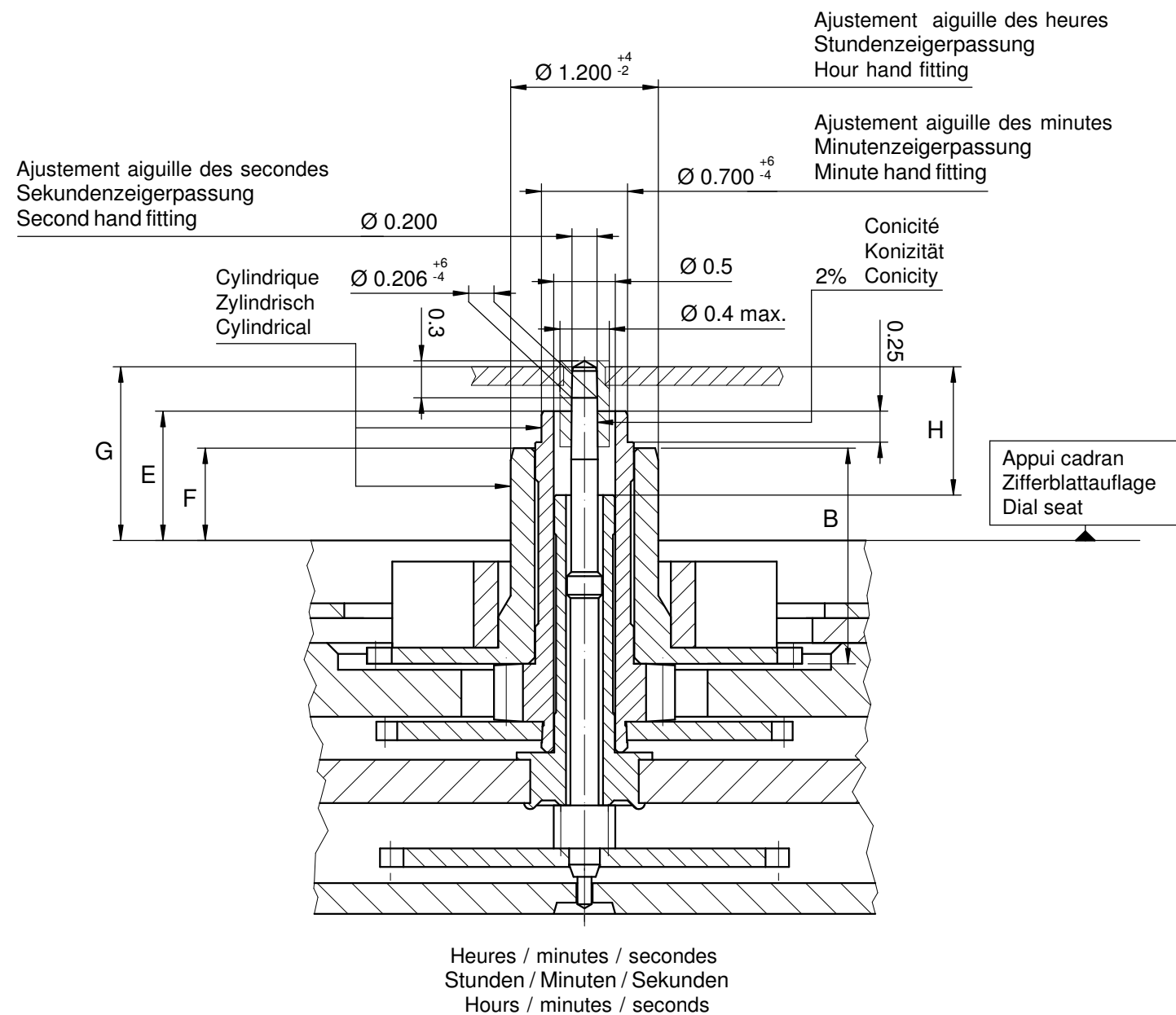
<b>Cadran</b> <b>Zifferblatt</b> <b>Dial</b>	<b>8<sup>3</sup>/<sub>4</sub>"</b>	Issued	12 Dez 2006	cw
		Modified	13 Aug 2012 ÄA 12806	mc
		Released	YES	
		Tolerance	+/- 20 µm	
		Scale	5 : 1 (A4V)	
<b>RONDA</b>	<b>585, 784, 785, 785Li</b>	Sous réserve de modifications Aenderungenvorbehalten Modifications reserved		
		No.	5010.403	05



Epaisseur du cadran selon hauteur de l'aiguillage  
 Zifferblattdicke gemäss Zeigerwerkhöhen  
 Dial thickness according to hand fitting heights

Tige	Date
Stellw.	Datum
Stem	Date
<b>3H</b>	<b>5H</b>

<b>Cadran</b> <b>Zifferblatt</b> <b>Dial</b>	<b>8<sup>3</sup>/<sub>4</sub>"</b>	Issued	13 Dez 2006	cw
		Modified	13 Aug 2012 ÄA 12806	mc
		Released	YES	
		Tolerance	+/- 20 µm	
		Scale	5 : 1 (A4V)	
<b>RONDA</b>	<b>585, 784, 785, 785Li</b>	Sous réserve de modifications Aenderungenvorbehalten Modificationsreserved		
		No.	5010.595	03



Aiguillage no Zeigerwerkhöhe Nr. Hand fitting height No	Dépassement Höhe über Zifferblattauflage Height over dial seat			Longueur Länge Length		Epaisseur max. (peinture comprise) Max. Dicke (inkl. Farbe) Max. thickness (paint included)			
	Pignon des secondes Sekundentrieb Second pinion	Chaussée Minutenrohr Cannon-pinion	Roue des heures Stundenrad Hour wheel	H	B	Cadran Zifferblatt Dial			Aiguilles Zeiger Hands
						Sous l'aiguille des secondes Unter Sekundenzeiger Under second hand	Sous l'aiguille des minutes Unter Minutenzeiger Under minute hand	Sous l'aiguille des heures Unter Stundenzeiger Under hour hand	
	G	E	F	H	B				
1	1.45	1.05	0.75	1.09	1.75	0.95	0.65	0.40	0.15
2	1.80	1.40	1.10	1.44	2.10	1.30	1.00	0.75	0.15
5	3.45	3.05	2.76	1.59	3.76	2.95	2.65	2.40	0.15

	Aig. des secondes Sekundenzeiger Second hand	Aig. des minutes Minutenzeiger Minute hand	Aig. des heures Stundenzeiger Hour hand	Lors de la pose d'aiguilles, le mouvement doit être soutenu. Beim Zeigersetzen muss das Werk abgestützt werden. The movement needs to be supported for hand setting.
mg max.	10	30	30	Masse / Masse / Weight *
µNm max.	0.05	0.70	0.70	Balourd / Unwucht / Unbalance *
gmm <sup>2</sup> max.	0.2	-	-	Inertie / Massenträgheit / Inertia *
N max.	30	40	40	Force de chassage / Aufpresskraft / Force

Sous réserve de toutes modifications

Aenderungen vorbehalten

All modifications reserved

Aiguillages  
Zeigerwerkhöhen  
Hand fitting heights

8<sup>3</sup>/<sub>4</sub>"

RONDA

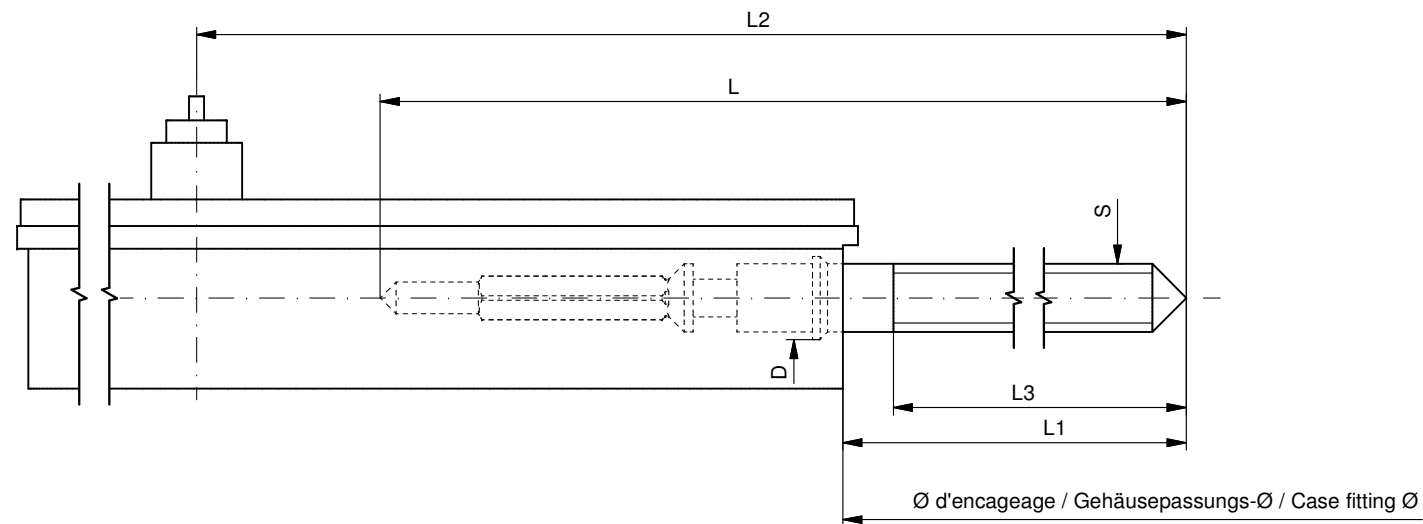
585

Issued	24 Feb 2000	ck
Modified	27 Okt 2011 ÄA 11646	dh
Released	Yes	
Tolerance	µm	
Scale	20 : 1 (A3H)	
Sous réserve de modifications Aenderungen vorbehalten Modifications reserved		
No.	3316.066	08

\* En cas de données différentes, veuillez contacter le service après-vente

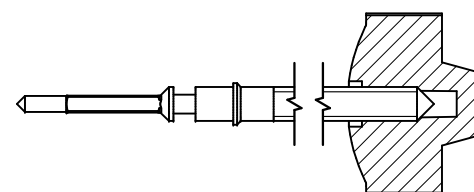
\* Bei abweichenden Werten, bitte technischen Kundendienst anfragen

\* In case of different values, please contact the customer service



Tige de travail (intégrée dans le mouvement)  
 Arbeitstellwelle (im Werk eingebaut)  
 Working stem (implemented in the movement)

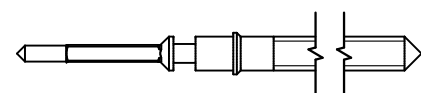
No. d'article Artikelnummer Part number	L	L1	L2	L3	S	D
3000.168.CO	17.24	10.54	20.24	10.73	0.90	1.05



Couleur de la couronne Kronenfarbe Crown color	blanc weiss white
Code	UN 0001

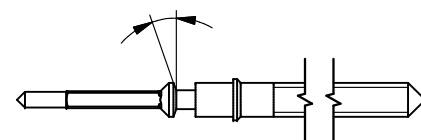
Tige (normale) / Stellwelle (normal) / Stem (normal)

No. d'article Artikelnummer Part number	L	L1	L2	L3	S	D
3000.168	17.24	10.54	20.24	10.73	0.90	1.05



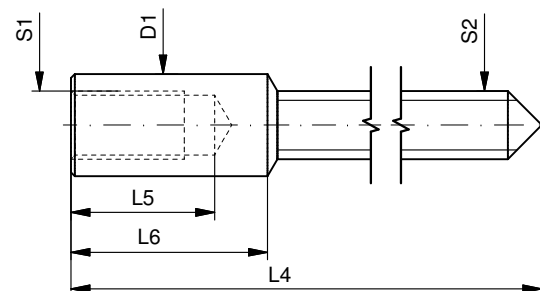
Tige (à arracher)  
 Stellwelle (Ausreissversion)  
 Stem (extractable version)

No. d'article Artikelnummer Part number	L	L1	L2	L3	S	D
3000.193	17.24	10.54	20.24	10.73	0.90	1.05

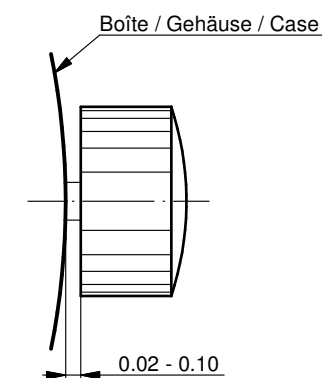


Rallonge de tige / Stellwelle Verlängerung / Stem extension

No. d'article Artikelnummer Part number	L4	L5 (min)	L6	S1	S2	D1
3000.040	12.00	1.90	2.60	0.90	0.90	1.35



Couronne normale  
 Normale Krone  
 Normal crown



Couronne vissée  
 Geschraubte Krone  
 Screwed crown

Force ⇐ min. Kraft ⇐ min. Force ⇐ min.	10 N
Force ⇐ max. Kraft ⇐ max. Force ⇐ max.	15 N

Tige (dimensions / forces)  
 Stellwelle (Dimensionen / Kräfte)  
 Stem (dimensions / forces)

RONDA 582, 583, 585

Issued	15 Aug 2012	ds5222
Modified	17 Mär 2017 ÄA 34582	mg5224
Released	YES	
Tolerance	---	
Scale	10:1 (A3)	

Sous réserve de modifications  
 Änderungen vorbehalten  
 Modifications reserved

No.	5030.003	02
-----	----------	----

# User's Manual English

## Movements Caliber

### RONDA powertech

– 585  
– 505  
– 515

### RONDA slimtech

– 1005  
– 1006  
– 1009  
– 1015  
– 1016  
– 1019

### RONDA normtech

– 774 – 6003.D  
– 775 – 6004.D  
– 704 – 6003.B  
– 705 – 6004.B  
– 784  
– 785  
– 714  
– 715  
– 715Li

### RONDA mastertech

– 7002.B  
– 7003.B  
– 7004.B

You have decided to buy a watch, which was assembled by a watchmaker using a Ronda movement. Please note that no watches are produced or distributed under the Ronda brand.

In case of repairs, guarantee claims and questions concerning the functioning of a watch, purchasers and consumers should contact their retailer or the watch manufacturer, for which the relevant information can be found in the sales or guarantee documentation provided with the watch.

#### Cal. 585 / 785:

Battery type: 362/SR721SW

#### Cal. 774 / 775 / 784:

Battery type: 364/SR621SW

#### Cal. 505 / 515 / 704 / 705 / 714 / 715:

Battery type: 371/SR920SW

#### Cal. 6003.D / 6004.D / 6003.B / 6004.B:

Battery type: 373/SR916SW

#### Cal. 1005 / 1006 / 1009 / 1015 / 1016 / 1019:

Battery type: 341/SR714SW

#### Cal. 7002.B / 7003.B / 7004.B:

Battery type: 381/SR1120SW

#### Cal. 715Li:

Battery type: CR 2016

Precision: +20/-10 seconds per month

Cal. 585

Cal. 6003.D

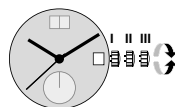
Cal. 505

Cal. 6004.D

Cal. 515

Cal. 6003.B

Cal. 6004.B



**Pos. I Position of rest** (watch running)

**Pos. II Quick-change correction for date**

*The date can also be corrected during the day-changing phase between 10 pm and midnight. The date of the following day has to be set, because no automatic date change takes place at midnight.*

- Pull the crown out to position II (watch still running).
- Turn the crown clockwise until the required date appears.

*Cal. 6003.D & 6004.D:*

- Turn the crown until the required date appears.
- Push the crown back into position I.

**Pos. III Setting the time**

- Pull the crown out to position III (watch stopped).
- Turn the crown, until the current time is displayed (remember the 24-hour cycle).
- Push the crown back into position I.

Cal. 774

Cal. 715Li

Cal. 775

Cal. 704

Cal. 1005

Cal. 705

Cal. 1006

Cal. 784

Cal. 1009

Cal. 785

Cal. 1015

Cal. 714

Cal. 1016

Cal. 715

Cal. 1019



**Pos. I Position of rest** (watch running)

**Pos. II Quick-change correction for date**

*Blocking time for the quick-change day correction is from approx. 9.30 pm and midnight.*

- Pull the crown out to position II (watch still running).
- Turn the crown until the current date appears.
- Push the crown back into position I.

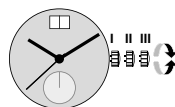
**Pos. III Setting the time**

- Pull the crown out to position III (watch stopped).
- Turn the crown, until the current time is displayed (remember the 24-hour cycle).
- Push the crown back into position I.

Cal. 7002.B

Cal. 7003.B

Cal. 7004.B



**Pos. I Position of rest** (watch running)

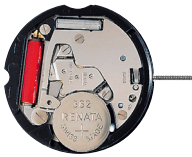
**Pos. II Quick-change correction for date**

*The date can also be changed during the day-changing phase between approx. 8.00 pm and midnight. The date of the following day has to be set, because no automatic date change takes place at midnight.*

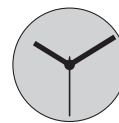
- Pull the crown out to position II (watch still running).
- Turn the crown until the current date appears.
- Push the crown back into position I.

**Pos. III Setting the time**

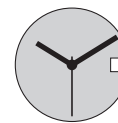
- Pull the crown out to position III (watch stopped).
- Turn the crown, until the current time is displayed (remember the 24-hour cycle).
- Push the crown back into position I.



582



583



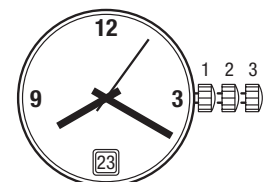
585

### Funktionen

### Fonctions

### Functions

Kaliber	Stellwellenpos.	Funktionen
Calibre	Pos. de tige	Fonctions
Caliber	Stem position	Functions
582-583	1	Normale Position / Position normale / Running position
	2	Zeiger stellen, Sekunden-Stopp mit Unterbruch der Motorimpulse Mise à l'heure, stop-seconde avec interruption des impulsions moteur Hand setting, stop-second with interruption of motor pulses
585	1	Normale Position / Position normale / Running position
	2	Datumskorrektur / Correction de la date / Date correction
	3	Zeiger stellen, Sekunden-Stopp mit Unterbruch der Motorimpulse Mise à l'heure, stop-seconde avec interruption des impulsions moteur Hand setting, stop-second with interruption of motor pulses



### Batterie

### Pile

### Battery

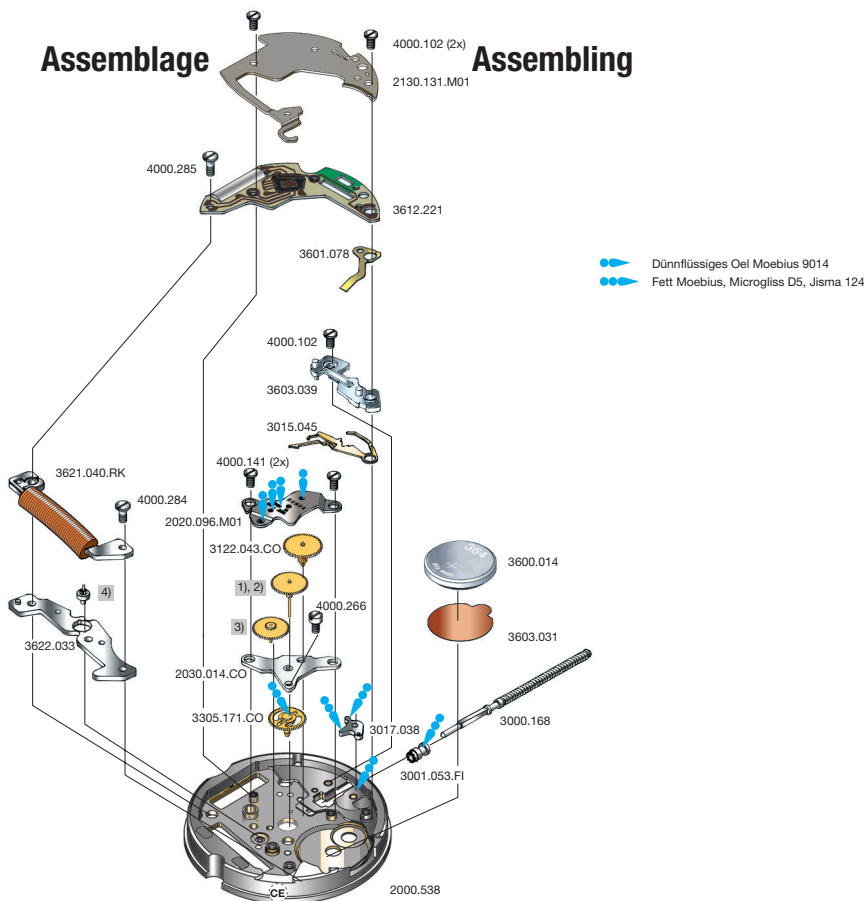
Kaliber	Batterie	Spannung	Artikelnummer RONDA
Calibre	Pile	Voltage	Numero d'article RONDA
Caliber	Battery	Tension	Part number RONDA
582, 583, 585	362/SR721SW	1.55 V	3600.014.HGF

# Werkaufbau

10 1/2''' 582, 583, 585

# Assemblage

# Assembling



Code: Beispiel CE / exemple CE / exemple CE

Cal. 583	Werkseite / Côté mouvement / Movement side		
Plan No.	Bestandteile	Fournitures	Spare Parts
2000.538	Werkplatte	Platine	Main plate
2020.096.M01	Räderwerkbrücke	Pont rouage	Train w. bridge
2030.014.CO	Zentrumbrücke	Pont centre	Centre bridge
2130.131.M01	Modul-Abdeckp.	Couvre module	Module cover pl.
3000.168	Stellwelle	Tige	Stem
3001.053.FI	Kupplungstrieb	Pignon coulant	Sliding pinion
3015.045	Kuppl.-triebhebel	Bascule	Yoke
3017.038	Winkelhebel	Tirette	Setting lever
3122.043.CO	Kleinbodenrad	Roue moyenne	Third wheel
1)	Sekundenrad	Roue secondes	Second-wheel
3)	Zwischenrad	Roue interméd.	Intermed. wheel
3305.171.CO	Minutenrohr	Chaussée	Cannon pinion
3600.014.HGF	Batterie	Pile	Battery
3601.078	Batterie-Kontakt	Bride contact	Battery contact
3603.031	Batterie-Isolation	Isolateur pile	Battery insulation
3603.039	Deckplatte/ Ste.	Couvre mécan.	Setting lev. cover
3612.221	Modul	Module	Module
3621.040.RK	Spule	Bobine	Coil
3622.033	Stator	Stator	Stator
4)	Rotor	Rotor	Rotor
4000.102	Schraube	Vis	Screw
4000.141	Schraube	Vis	Screw
4000.266	Schraube	Vis	Screw
4000.284	Schraube	Vis	Screw
4000.285	Schraube	Vis	Screw

## Cal. 583, 585

Bis Juni 2016  
Jusqu' en Juin 2016  
Untill June 2016

Ab Juli 2016  
A partir de Juillet 2016  
From July 2016

Code	2. Buchstabe ... D Second letter ... D 2 <sup>ème</sup> chiffre: ... D	2. Buchstabe: ab E Second letter: from E 2 <sup>ème</sup> chiffre: à partir de E
1)	3136.090.CO	3136.194.CO
3)	3147.019.CO	3147.092.CO
4)	3715.030.RK	3715.139.RK

Die obigen 3 Teile bilden jeweils eine Gruppe. Deshalb sind die 3 Teile jeder Gruppe nicht einzeln gegeneinander austauschbar.

Les 3 fournitures ci-dessous forment un groupe individuel. C'est pourquoi les 3 fournitures de chaque groupe ne sont pas interchangeables.

The 3 parts mentioned above are forming an individual group. Therefore the 3 parts of each group are not interchangeable.

## Abweichungen / Divergences / Deviations

Cal. 585	Werkseite / Côté mouvement / Movement side		
Plan No.	Bestandteile	Fournitures	Spare Parts
3015.045	Kuppl.-triebhebel	Bascule	Yoke

Cal. 582	Werkseite / Côté mouvement / Movement side		
Plan No.	Bestandteile	Fournitures	Spare Parts
2030.012.CO	Zentrumbrücke	Pont centre	Centre bridge
2)	Sekundenrad	Roue secondes	Second-wheel
3)	Zwischenrad	Roue interméd.	Intermed. wheel
3305.210.CO	Minutenrohr	Chaussée	Cannon pinion
4)	Rotor	Rotor	Rotor

## Cal. 582

Bis Juni 2016  
Jusqu' en Juin 2016  
Untill June 2016

Ab Juli 2016  
A partir de Juillet 2016  
From July 2016

Code	2. Buchstabe ... D Second letter ... D 2 <sup>ème</sup> chiffre: ... D	2. Buchstabe: ab E Second letter: from E 2 <sup>ème</sup> chiffre: à partir de E
2)	3136.093.CO	3136.196.CO
3)	3147.019.CO	3147.092.CO
4)	3715.030.RK	3715.139.RK

Die obigen 3 Teile bilden jeweils eine Gruppe. Deshalb sind die 3 Teile jeder Gruppe nicht einzeln gegeneinander austauschbar.

Les 3 fournitures ci-dessous forment un groupe individuel. C'est pourquoi les 3 fournitures de chaque groupe ne sont pas interchangeables.

The 3 parts mentioned above are forming an individual group. Therefore the 3 parts of each group are not interchangeable.

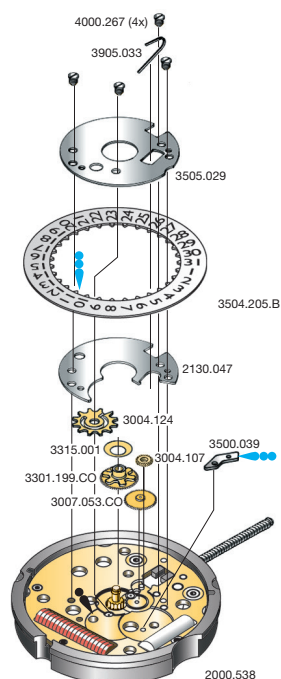
# Werkaufbau

# Assemblage

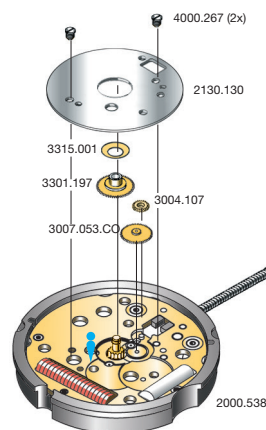
# Assembling

10 1/2''' 585

10 1/2''' 582, 583



 Düninflüssiges Öl Moebius 9014  
 Fett Moebius, Microgliss D5, Jisma 124



 Düninflüssiges Öl Moebius 9014

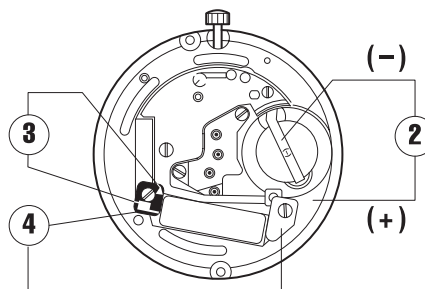
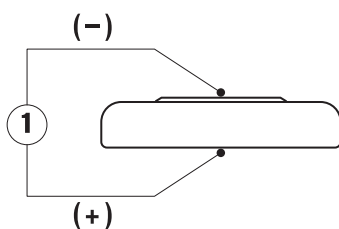
Cal. 585 Zifferblattseite / Côté cadran / Dial side			
Plan No.	Bestandteile	Fournitures	Spare Parts
2130.047	Kalenderplatte	Plaque calend.	Date ind. plate
3004.107	Zeigerstellrad	Renvoi minuterie	Setting wheel
3004.124	Datummitn.-Rad	Renvoi entrain.	Ind. driving wheel
3007.053.CO	Wechselrad	Minuterie	Minute wheel
3301.199.CO	Stundenrad	Canon	Hour wheel
3315.001	Spreizfeder	Clinquant 2 1/2	Washer 2 1/2
3500.039	Datumraste	Cliquet calend.	Date jumper
3504.205.B	Datumanzeiger	Bague	Date indicator
3505.029	Kal.-Abdeckplatte	Couvercle calend.	Date ind. guard
3905.033	Feder Datumraste	Ressort calend.	Date jumper spr.
4000.267	Schraube	Vis	Screw

Cal. 582/583 Zifferblattseite / Côté cadran / Dial side			
Plan No.	Bestandteile	Fournitures	Spare Parts
2130.130	Zeigerwerkplatte	Plaque maintien	Maintening plate
3004.107	Zeigerstellrad	Renvoi minuterie	Setting wheel
3007.053.CO	Wechselrad	Minuterie	Minute wheel
3301.197.TA	Stundenrad	Canon	Hour wheel
3315.001	Spreizfeder	Clinquant	Washer
4000.267	Schraube	Vis	Screw

## Elektr. Messungen

## Contrôles électriques

## Electrical checking



Kaliber Calibre Caliber	Pos. Pos. Pos.	Einheit Unité Unit	Messwerte Valeurs mesurées Measured values	Kontrolle Contrôle Check	Bemerkungen Remarques Remarks
582, 583, 585	1	V	1,55	Batterie-Spannung Tension de la pile Battery voltage	Batterie herausnehmen und messen Enlever et mesurer la pile Remove battery for measuring
582, 583, 585	2	µA	1,10–1,85	Stromaufnahme Consom. de courant Power consumption	Ohne Batterie, mit externer Speisung Sans pile, avec alimentation externe Without battery, with external power supply
582, 583, 585	2	V	≤ 1,30	Funktionskontrolle bei Minimalspannung Contrôle de fonctionnement à tension minimale Check with lowest possible voltage	Ohne Batterie, mit externer Speisung Sans pile, avec alimentation externe Without battery, with external power supply
582, 583, 585	3	KΩ	1,80–2,00	Spulenwiderstand Résistance de la bobine Resistance of the coil	Ohne Batterie Sans pile Without battery
582, 583, 585	4	KΩ	∞	Spulenisolation Isolation de la bobine Coil insulation	Ohne Batterie Sans pile Without battery
582, 583, 585		Sek./Monat sec./mois sec./month	- 10/+ 20	Induktivsonde 60 Sek. Senseur inductif 60 sec. Inductive sensor 60 sec.	Mit Batterie Avec pile With battery

## Einschalen / Werkzeuge

## Emboîtage / outils

## Casing / tools

Nr. H 58x.1A



Nr. H 58x.1T



SWISS MADE & SWISS PARTS	
Schraube Vis Screw	

### Zeigersetzen

Maximale Aufpresskraft:

- Stunden und Minutenzeiger: max. 40N
- Sekundenzeiger: max. 30N

Beim Zeigersetzen muss das Werk abgestützt werden.

### Poser les aiguilles

Force de chassage maximale:

- Aiguilles des heure et des minutes: max. 40N
- Aiguille des secondes: max. 30N

Lors de la pose d'aiguilles, le mouvement doit être soutenu.

### Hand setting

Maximal force:

- Hour and minute hands: max. 40N
- Second hand: max. 30N

The movement needs to be supported for hand setting.

### Kal. 582, 583 Stellwelle entfernen

Beim Entfernen der Stellwelle muss sich die Stellwelle in **Position 1** (gedrückt) befinden, bevor auf den Winkelhebel gedrückt wird.

### Kal. 585 Stellwelle entfernen

Beim Entfernen der Stellwelle muss sich die Stellwelle in **Position 2** befinden, bevor auf den Winkelhebel gedrückt wird.

### Kal. 582, 583 Enlever la tige

En enlevant la tige, la tige doit se trouver en **position 1** (poussée), avant de pousser sur la tirette.

### Kal. 585 Enlever la tige

En enlevant la tige, la tige doit se trouver en **position 2**, avant de pousser sur la tirette.

### Kal. 582, 583 Stem removal

For removal of the stem, the stem must be in **position 1** (pressed in) prior to apply pressure to the setting lever.

### Kal. 585 Stem removal

For removal of the stem, the stem must be in **position 2** prior to apply pressure to the setting lever.