

Watch Movement Specification and Drawing

CHRONOGRAPH

Cal. YM92A

Movement Size

12'''

Casing Diameter

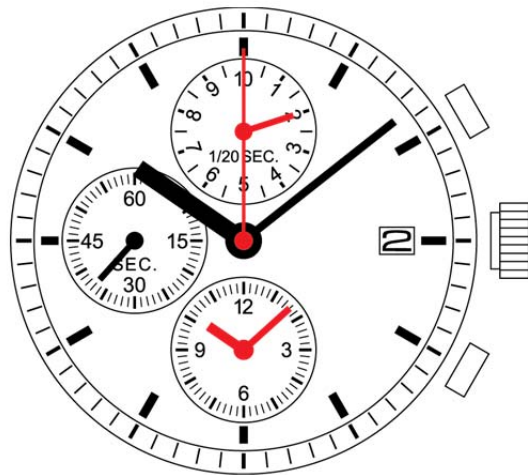
Ø 27.0mm

Height

3.7mm

Battery Life

3 years



Date: 15/Dec./17

Cal. YM92A

Items	Rev.	Page
Specifications	05	1
Appearance	01	2
Casing	05	3
Hand fitting	02	4
Hand setting stem	02	5
Dial-01	02	6-01
Dial-02	01	6-02
Dial-03	01	6-03
Dial-04	01	6-04
Holding ring for dial-01	03	7-01
Holding ring for dial-02	02	7-02
Attention for assembly	03	8
Attention of casing part structure	02	9
Operation-01	03	10-01
Operation-02	02	10-02

Analog Quartz 12^{'''} Center second Chronograph Movement

1. MOVEMENT DIMENSIONS

Outside diameter	ϕ 27.60mm(12H-6H) × 24.00mm(3H-9H)
Casing diameter	ϕ 27.00mm(12H-6H)
Total height	3.7mm (including battery)

2. TIME STANDARD

Type of quartz oscillator	Tuning fork
Frequency of quartz oscillator	32,768 Hz
Accuracy	±20 seconds per month (on wrist)
Operating temperature range	-5°C to +50°C
Regulation device	Nil (Pre-adjusted)

3. INDICATOR / FUNCTIONS

3 Hands	Hour / Minute / Second chronograph (Center)
Small hands	Hour and minute chronograph (6H) / Small second (9H) 1/20 second chronograph (12H)
Calendar	Instant setting device for date calendar
Reset switch	
Power depletion warning function (BLD)	
(Small second hand moves at 2-second intervals)	
Chronograph	The chronograph can measure up to 12 hours in 1/20 second increments.

4. FEATURES

Jewels	0 Jewels	
Anti-magnetism	Over 1600A/m (Direct current magnetic field)	
Maximum unbalance of hands	Small second hand	: 0.03 μ N·m
	1/20 second chronograph hand	: 0.03 μ N·m
	Minute chronograph hand	: 0.03 μ N·m
	Second chronograph hand	: 0.06 μ N·m
	Minute hand	: 0.70 μ N·m
Moment of Inertia	Second chronograph hand	: less than 0.2 μ g·m ²

5. BATTERY

Type / Size	Silver oxide battery / ϕ 9.5mm × t 2.73mm
Recommended battery	SR927SW
Nominal voltage	1.55 V
Battery life	Approx. 3 years (2 hours chronograph operation per day)
Driving current consumption	Approx. 0.80 μ A
Operation stopping voltage	0.9 V

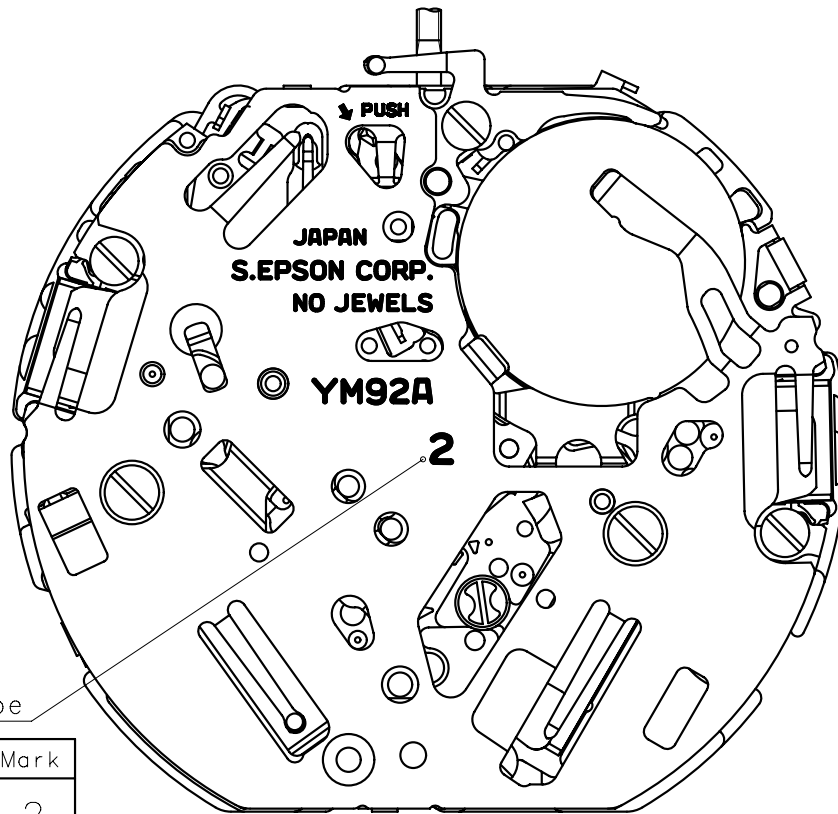
6. SEPARATED PARTS (Parts code)

Hand setting stem	0351584 (Standard) or 0351585 (Long)
Holding ring for dial	0866650 (Standard) or 0866789 (Special)
Battery	SR927SW

7. TEST OF ACCURACY

Equipment to be used	SEIKO quartz tester QT-99, QT2100 Greiner quartz timer-C , Witschi Q-tester 4000
Duration of measurement	10 seconds
Microphone to be used	Electromagnetic detection type

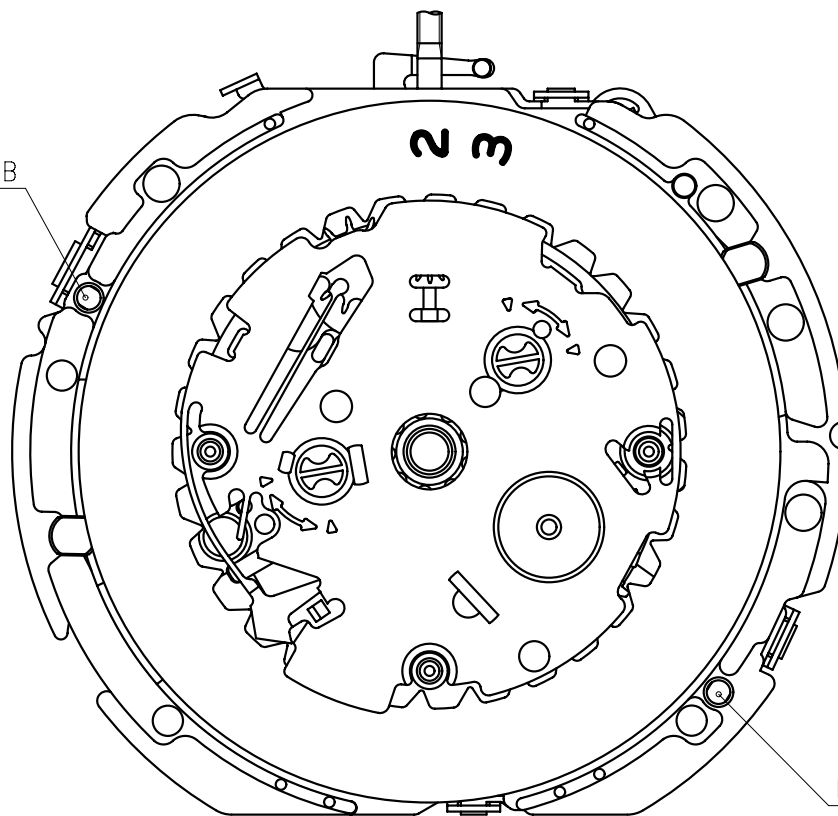
All specifications are subject to change without notice.



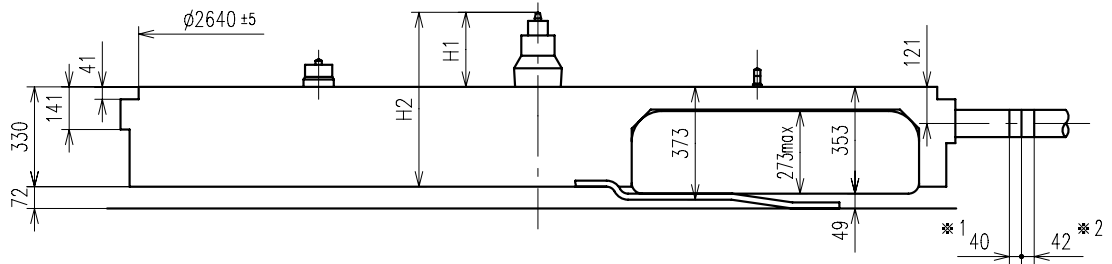
Hands type

	Mark
Type(M) YM92A**	2

Dial leg hole B

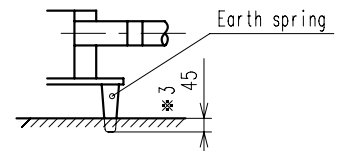
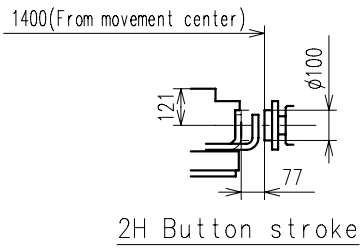
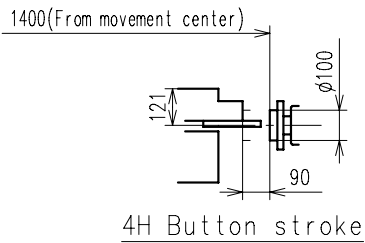


Dial leg hole A

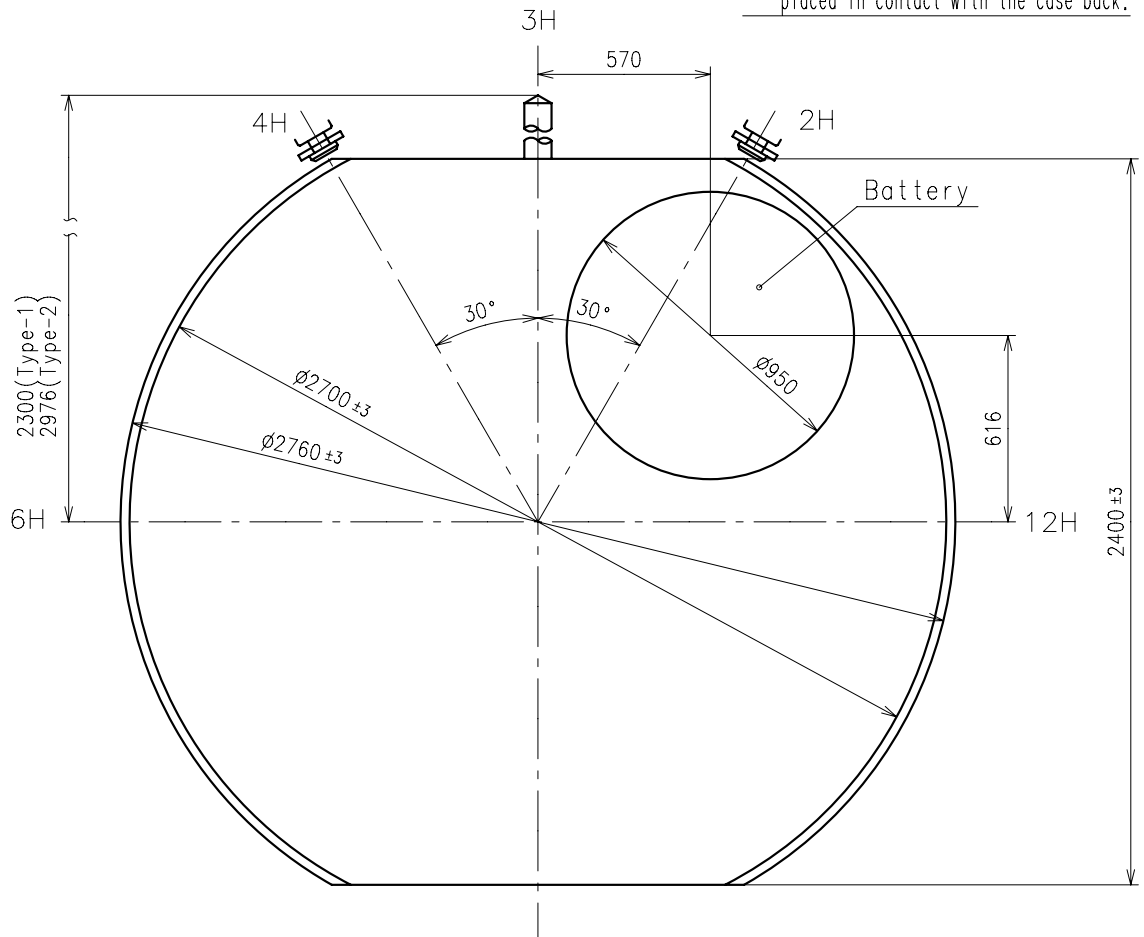


Center post		Type M (2) YM92A**
Maximum height from dial support	H1	246.5
Total height including movement	H2	576.5

*1: First pullout stroke
*2: Second pullout stroke



*3: The earth spring is absolutely placed in contact with the case back.

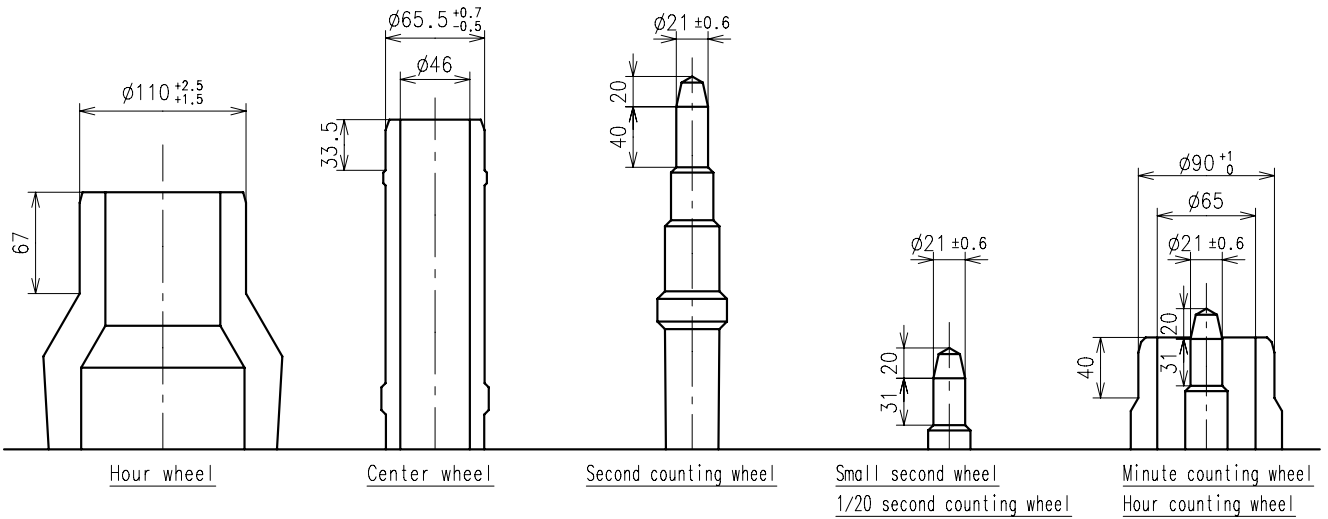


※ Unbalance

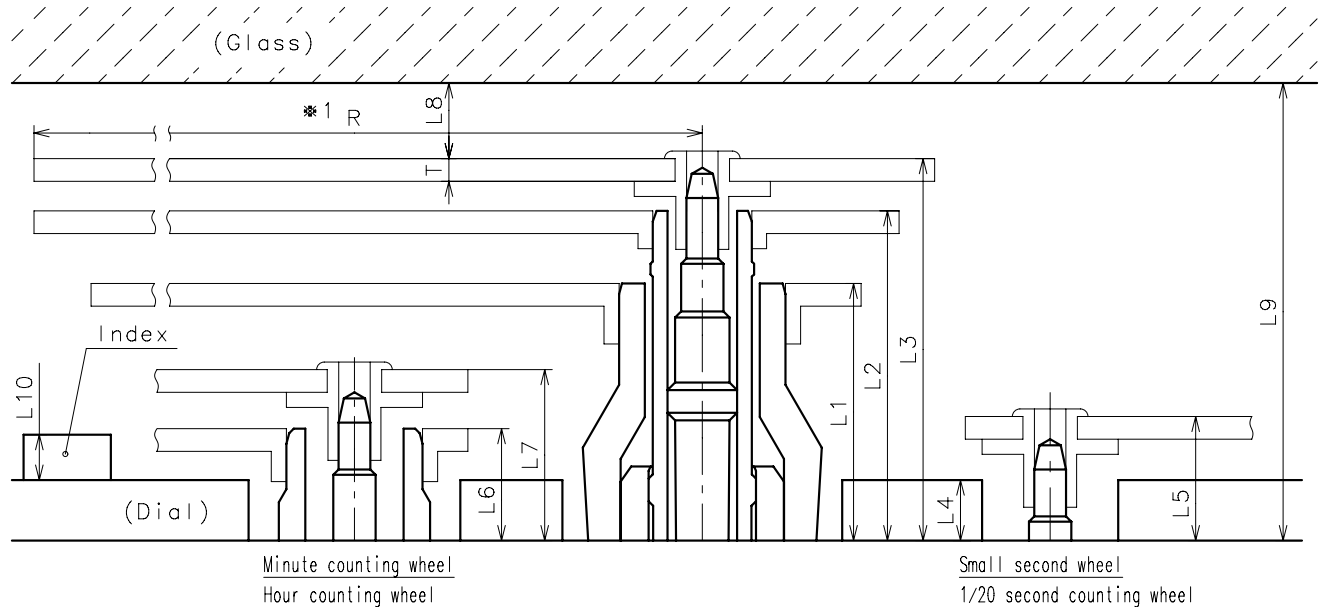
- Small second hand $\mathbb{W} 0.03\mu \text{ N} \cdot \text{m} \left(\begin{matrix} 3\mu \text{ g} \cdot \text{m} \\ 3\mu \text{ g} \cdot \text{m} \end{matrix} \right)$
- 1/20 second chronograph hand $\mathbb{W} 0.03\mu \text{ N} \cdot \text{m} \left(\begin{matrix} 3\mu \text{ g} \cdot \text{m} \\ 3\mu \text{ g} \cdot \text{m} \end{matrix} \right)$
- Minute chronograph hand $\mathbb{W} 0.03\mu \text{ N} \cdot \text{m} \left(\begin{matrix} 3\mu \text{ g} \cdot \text{m} \\ 3\mu \text{ g} \cdot \text{m} \end{matrix} \right)$
- Second chronograph hand $\mathbb{W} 0.06\mu \text{ N} \cdot \text{m} \left(\begin{matrix} 9\mu \text{ g} \cdot \text{m} \\ 9\mu \text{ g} \cdot \text{m} \end{matrix} \right)$
- Minute hand $\mathbb{W} 0.70\mu \text{ N} \cdot \text{m} \left(\begin{matrix} 70\mu \text{ g} \cdot \text{m} \\ 70\mu \text{ g} \cdot \text{m} \end{matrix} \right)$

※ Moment of inertia

- Second chronograph hand $\mathbb{W} 0.2\mu \text{ g} \cdot \text{m}^2$

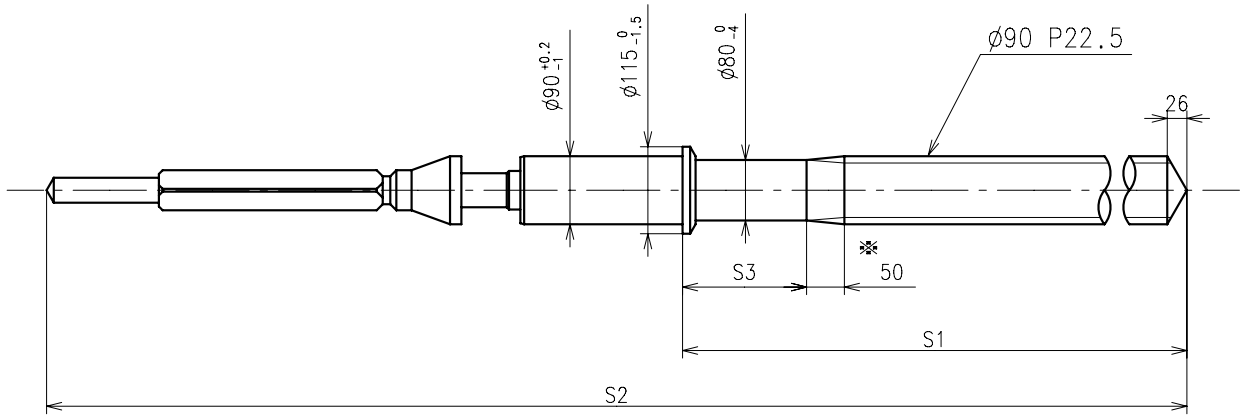


	Parts No.						
	Hour wheel	Center wheel	Second counting wheel	Small second wheel	1/20 second counting wheel	Minute counting wheel	Hour counting wheel
Type M (2) YM92A**	0271588	0221583	0888582	0240580	0902580	0270582	0271583



	L1	L2	L3	L4	L5	L6	L7	L8	L9	L10	T	*1 R
Type M (2) YM92A**	170	218	252.5	40	77	74	113	MIN: 50	MIN: 302.5	MAX: 50	15	MAX: 1250

*1: It is the size taken into consideration for hands attachment.
Please observe some standard value specified in unbalance and moment of inertia when using long hands.

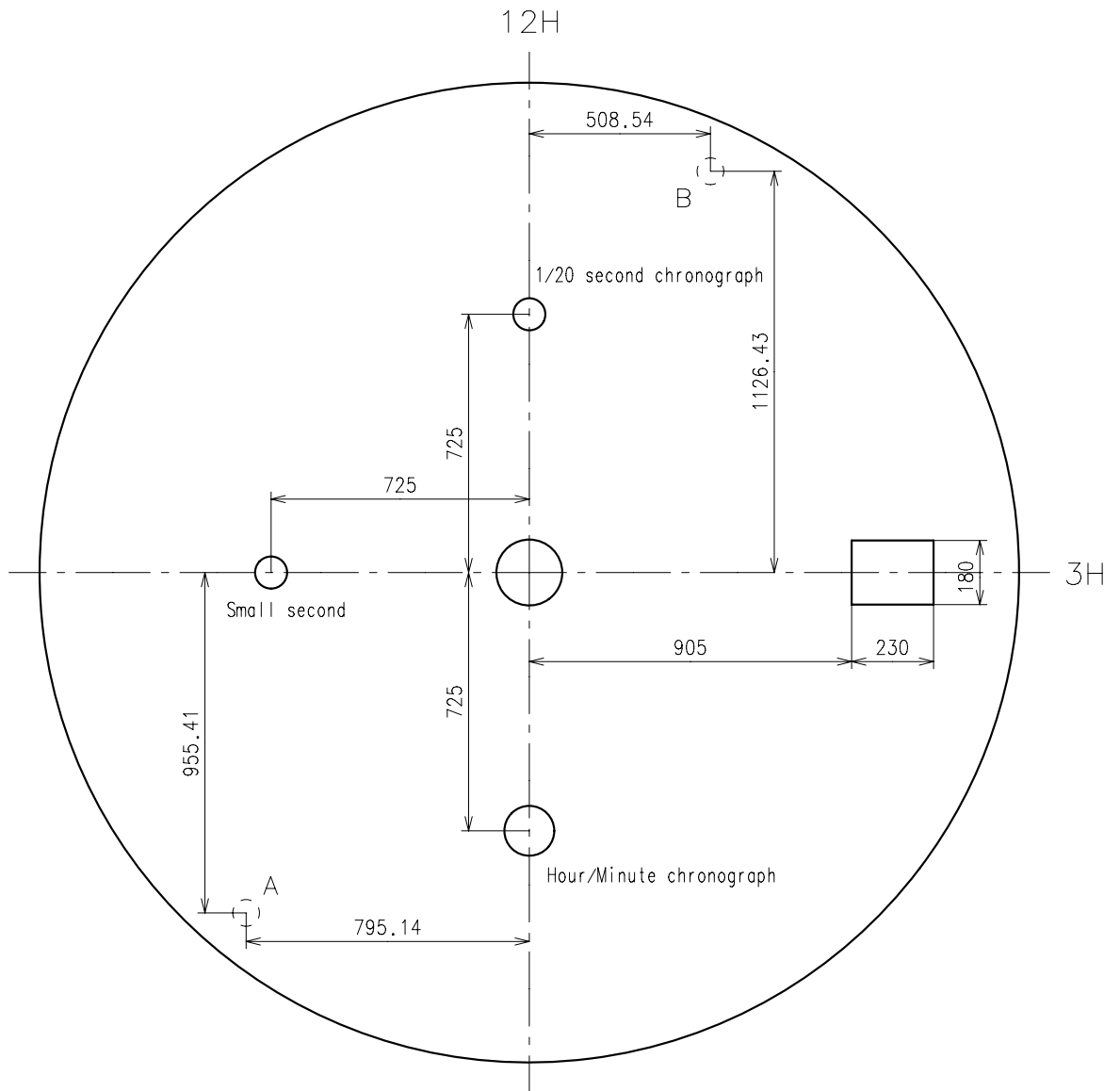


\ast Not threaded

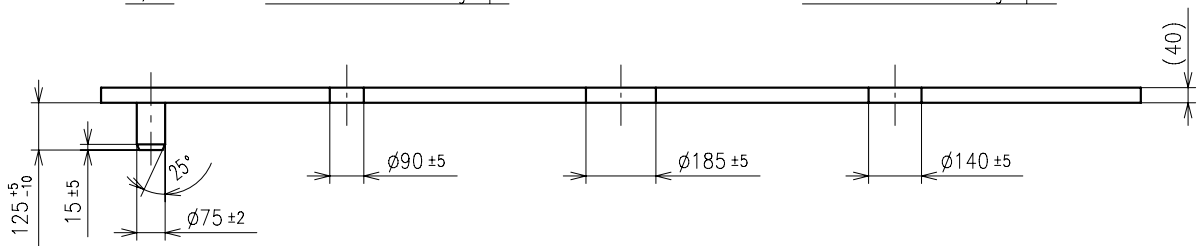
	Part No.	S1	S2	S3
Type-1 (Standard)	0351584	1164	2005.5	164
Type-2 (Long)	0351585	1840	2681.5	750

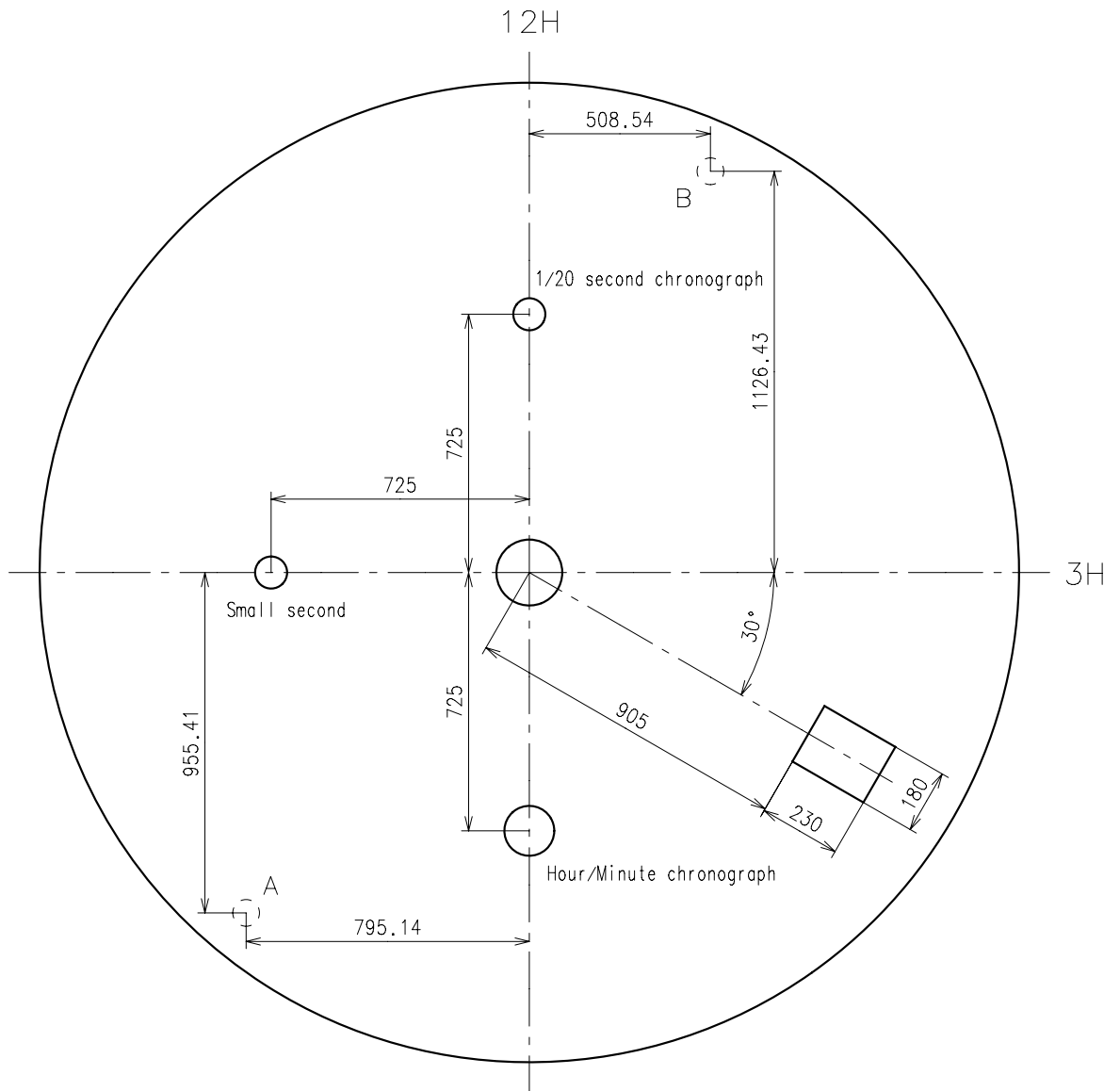
Material : Steel

Hardness : Vickers 600±50

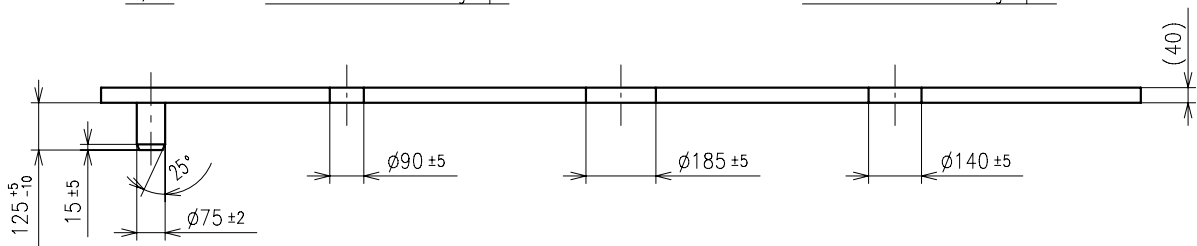


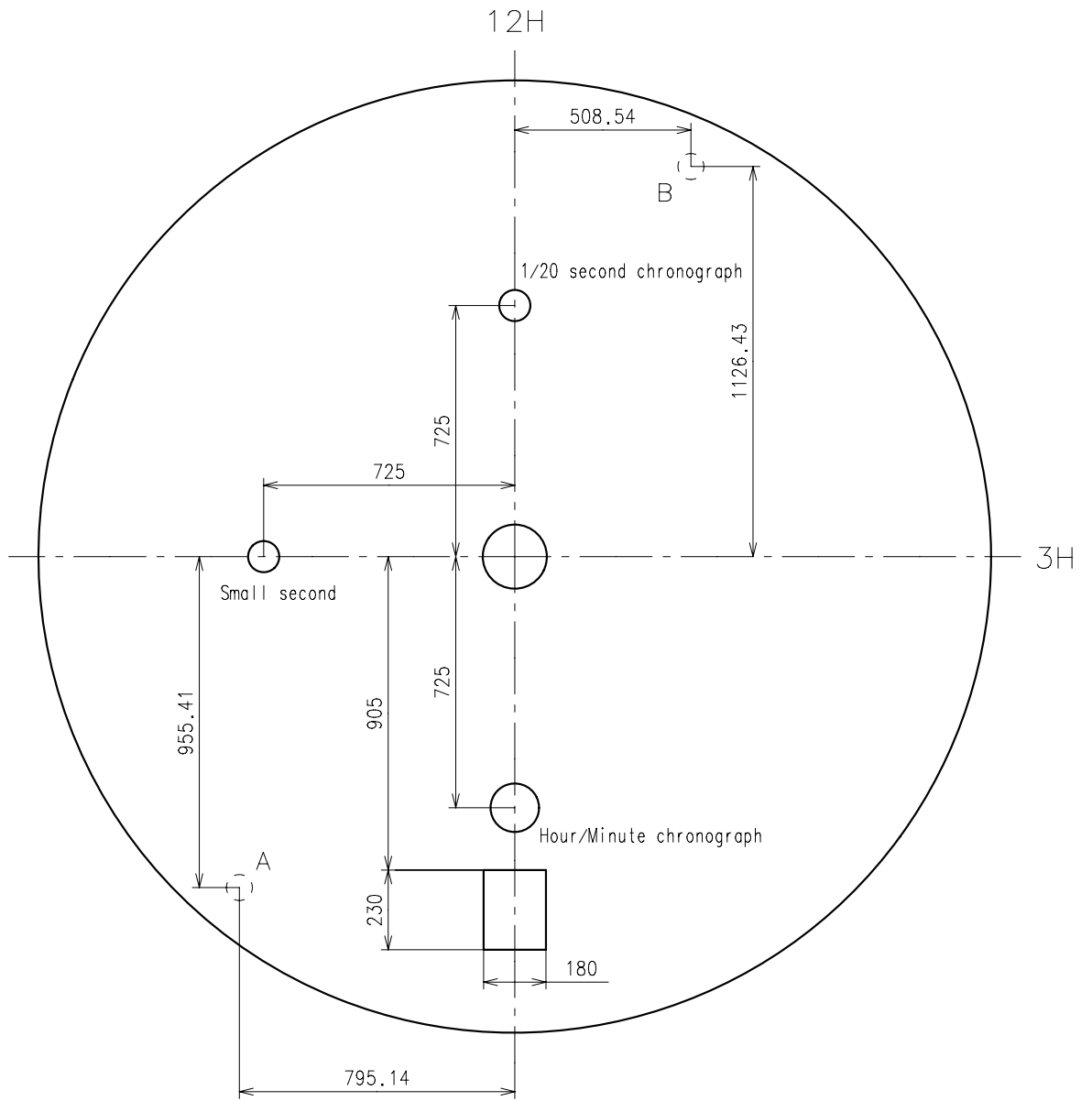
A, B Small second 1/20 second chronograph Hour/Minute chronograph



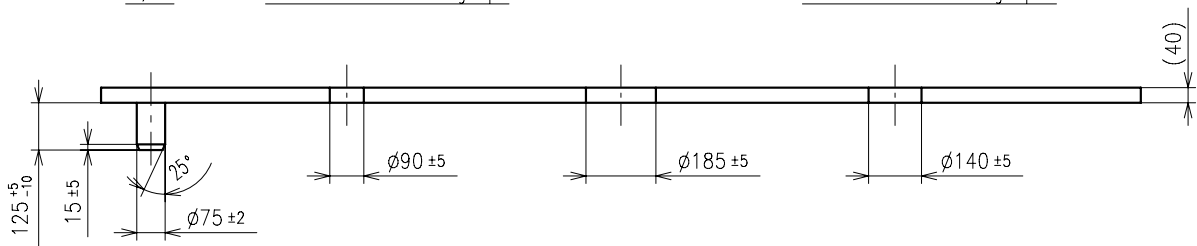


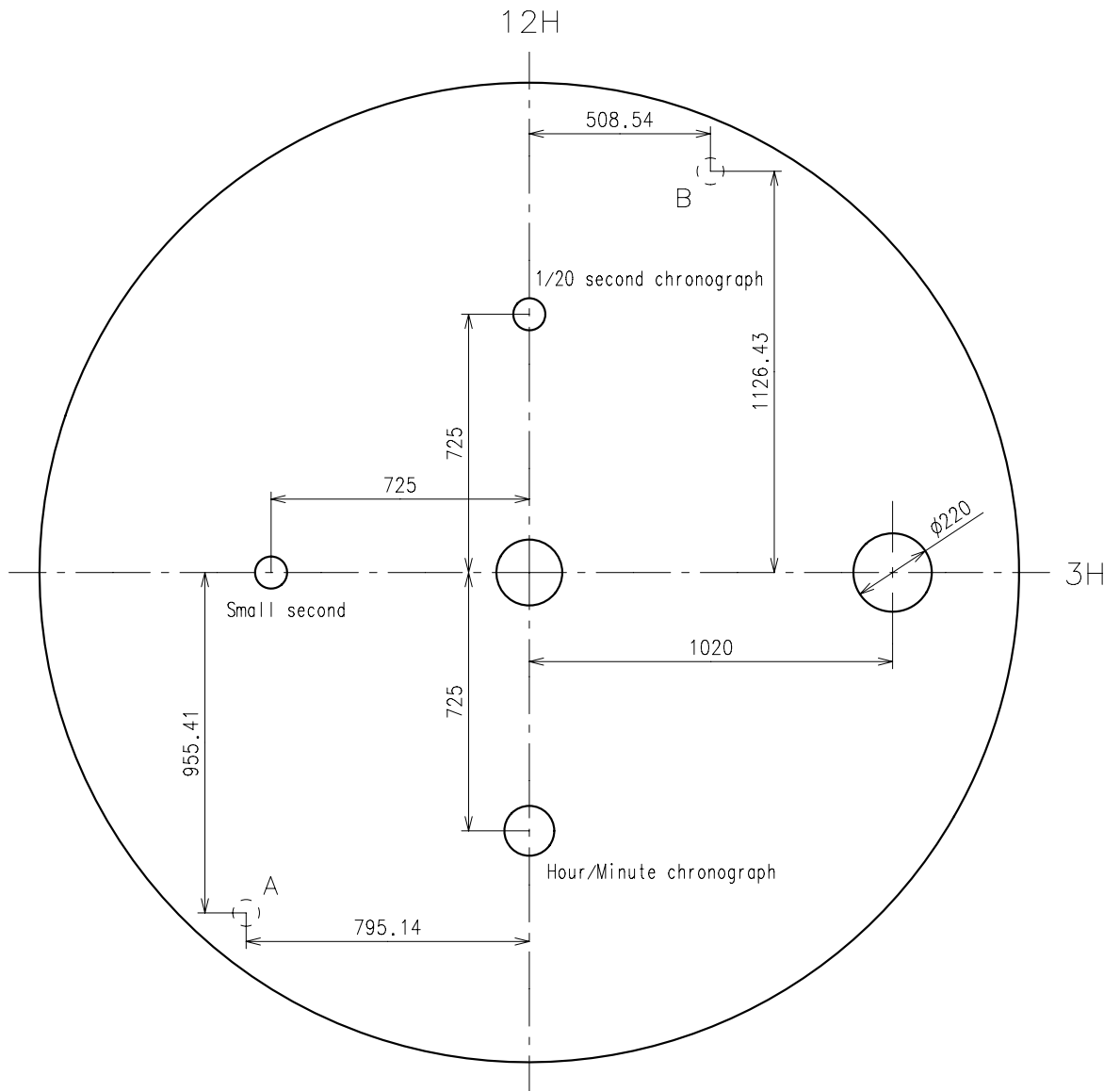
A, B Small second 1/20 second chronograph Hour/Minute chronograph



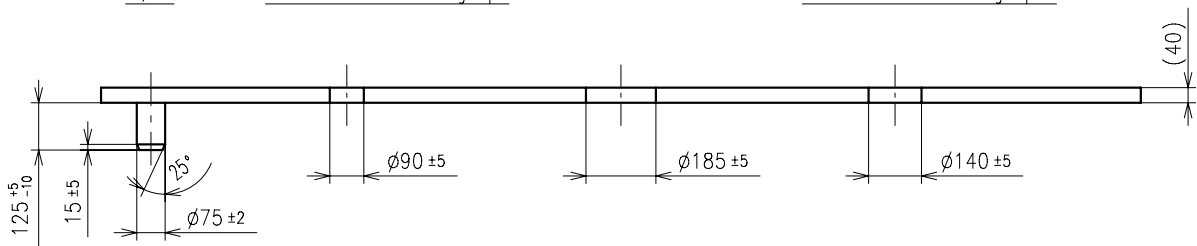


A, B Small second 1/20 second chronograph Hour/Minute chronograph

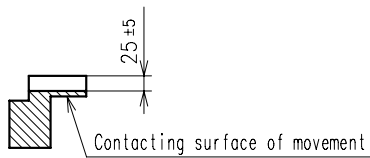
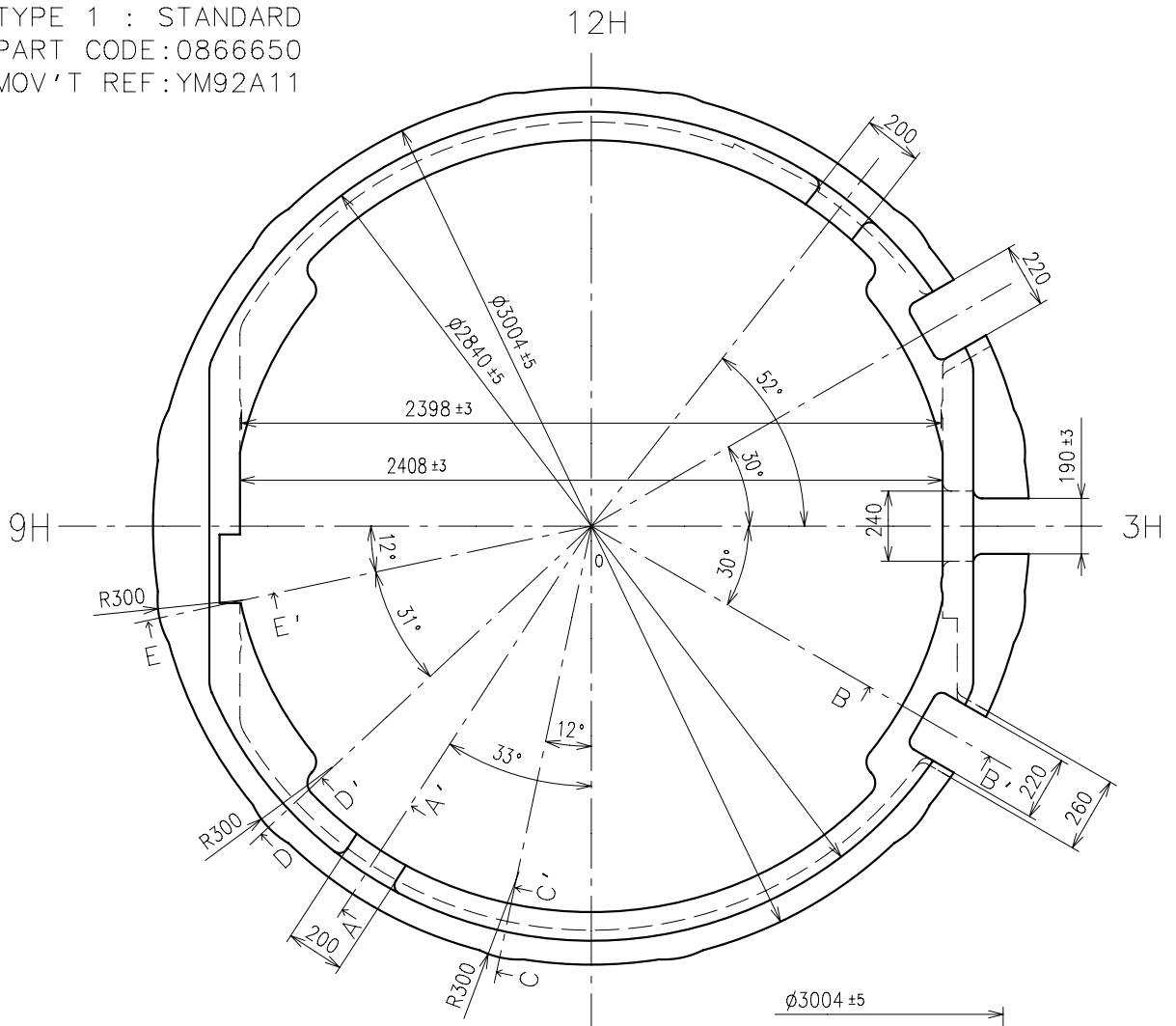




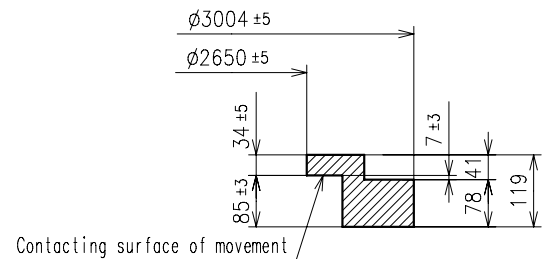
A, B Small second 1/20 second chronograph Hour/Minute chronograph



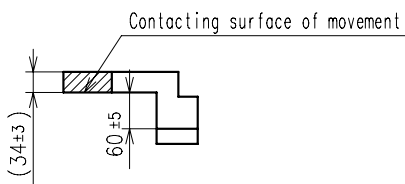
TYPE 1 : STANDARD
PART CODE : 0866650
MOV'T REF : YM92A11



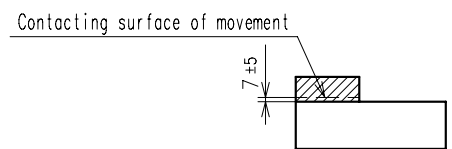
A-A' section



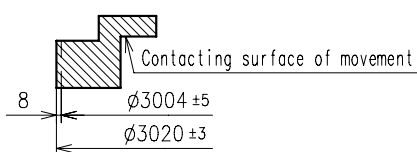
0-12H section



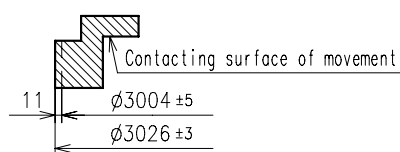
B-B' section



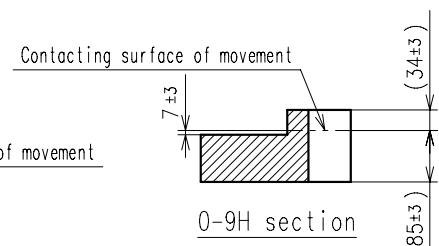
0-3H section



C-C' section

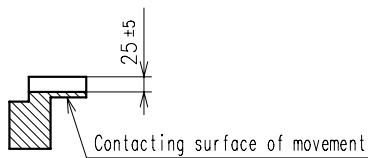
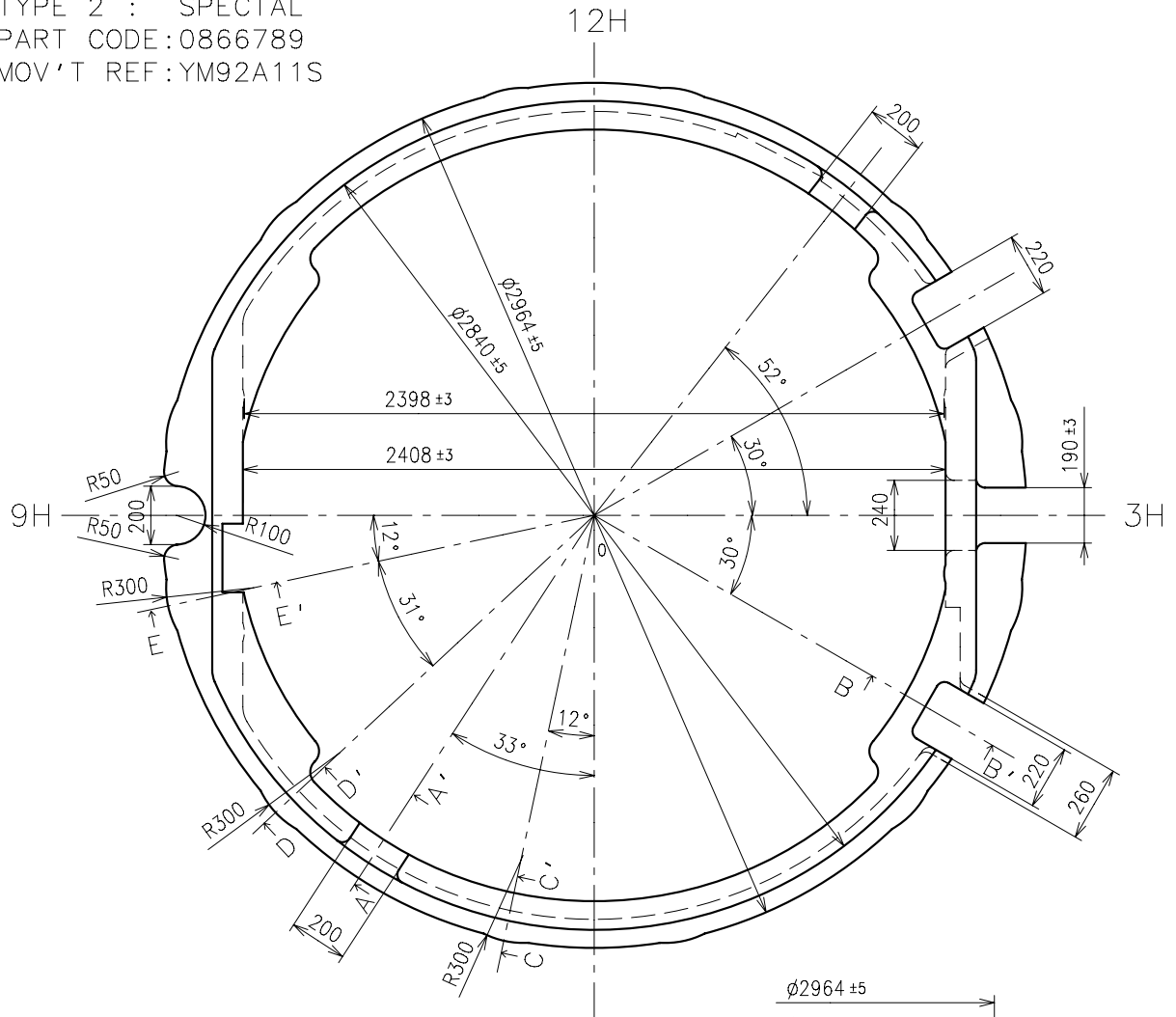


D-D' section

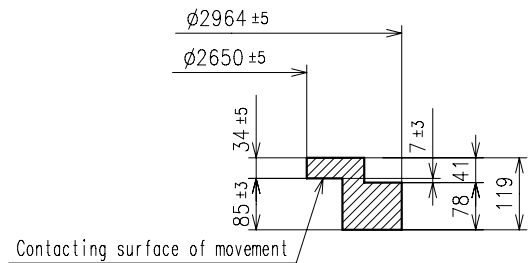


0-9H section

TYPE 2 : SPECIAL
PART CODE:0866789
MOV'T REF:YM92A11S

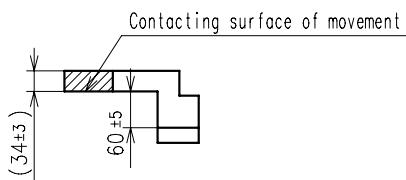


A-A' section

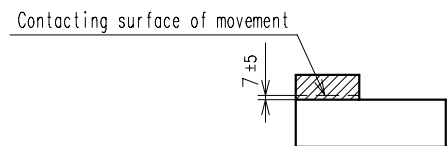


Contacting surface of movement

0-12H section

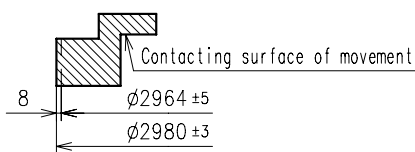


B-B' section

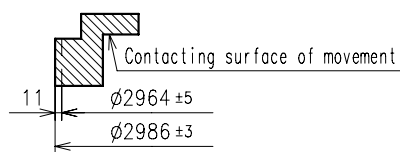


Contacting surface of movement

0-3H section

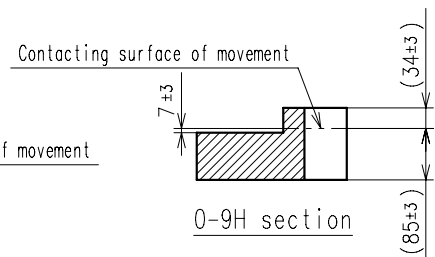


C-C' section



D-D' section

E-E' section



Contacting surface of movement

0-9H section

1.How to replace the battery

- Please use the specified battery to keep the stable performance for a long time.
- Please install the minus part of the battery towards inside of the watch.
- When installing or changing the battery, it is recommended to remove two battery clamp screws first, then remove the battery clamp not to damage the movement parts.
If you install the battery without removing the battery clamp, please install the battery from [→] direction as illustrated below Fig.[1].
- Install the battery under the circuit cover as illustrated below Fig.[1] and Fig.[2].
- System-reset is not required.
- After installing the battery, set the current time and then set the 1/20 second chronograph hand, second chronograph hand and hour/minute chronograph hand at "0" position.

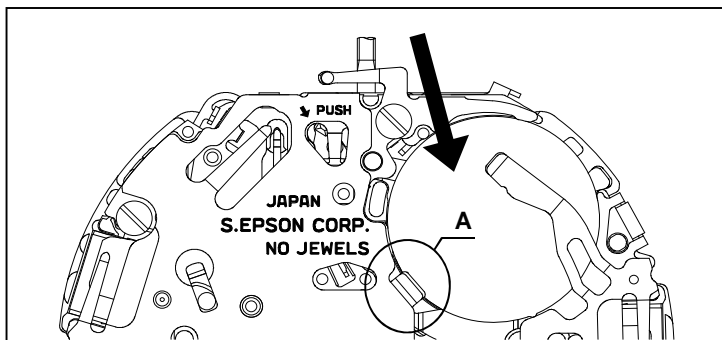


Fig.[1]

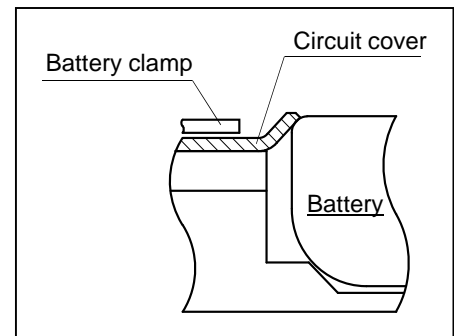


Fig.[2] A section

2.How to remove the stem

- When removing the stem, pull out the crown at 1st click position and then remove the stem while pressing the hollow portion of setting lever by tweezers. (Refer to the Fig.[3].)

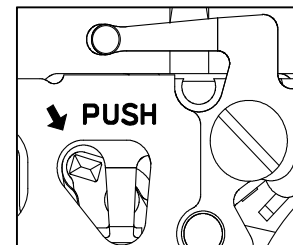


Fig.[3] Crown pulled out at 1st click

3.How to set the hands

- Each hand moves at step interval. Set the each hand at correct position according to the scale on the dial in order not to make a mistake in reading time.
- Do not turn the hand forcibly.

4.How to remove the hands

- When removing the hands, use exclusive fork-shaped tools.
- Do not remove the dial under the condition that any hands are set.

5.How to test the accuracy

When measuring the time accuracy, use specified Quartz Tester and change the gate time in 10 seconds.

1.Minute hand

The center wheel have a safety stopper structure to prevent the minute hand from being pressed too much. However pay attention to the contact between hour hand and minute hand.

2.Holding ring for dial

Use the specified holding ring for dial to prevent rotation of the movement inside of the case in order to stabilize the button operation.

Refer to the [Holding ring for dial] page instruction as to the shape and tolerance.

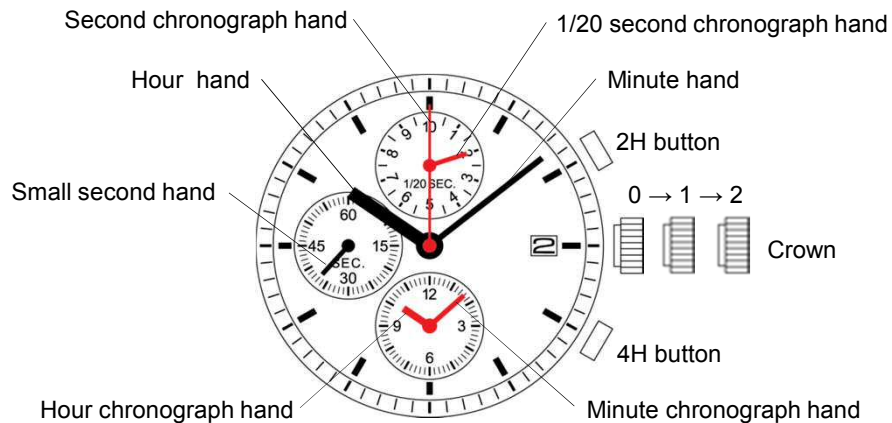
3.Case

Use the metal case to prevent from the movement mal-function by static electricity.

4.Hour wheel

When set and remove the hour hand repeatedly, it may reduce the hand fixing torque because the hour wheel is made by plastic.

To ensure the enough fixing torque, it isn't recommended to re-assemble the hour hand more than five times.



	Crown position		
	0 click	1st click	2nd click
Crown	Free	Turn clockwise for date change	Time setting
2H button	Chronograph Start/Stop Restart	Chronograph Start/Stop Restart	[*1]
4H button	Chronograph Reset Split Split release	Chronograph Reset Split Split release	[*1]

[*1] How to set the "0" position

Pull crown out to the 2nd click position.

↓

→ Press 2H button for 2 seconds.
1/20 second chronograph hand turns a full round and can now be set to correct "0" position.

↓

Press 4H button repeatedly to set it to "0" position.

↓

Press 2H button for 2 seconds.
Second chronograph hand turns a full round and can now be set to correct "0" position.

↓

Press 4H button repeatedly to set it to "0" position.

↓

Press 2H button for 2 seconds.
Hour and minute chronograph hand turns a full round and can now be set to correct "0" position.

↓

Press 4H button repeatedly to set it to "0" position.

↓

Press 2H button for 2 seconds here will allow you to resume the procedure again as indicated by the arrow if necessary.

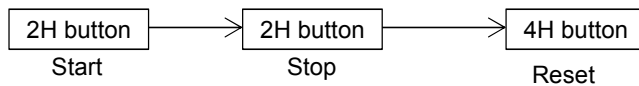
↓

Push crown back to normal position.

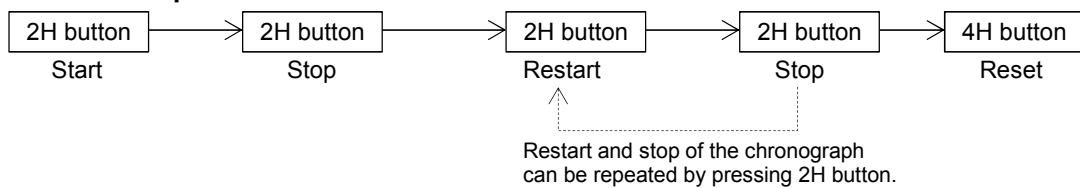
Chronograph function

- The chronograph can measure up to 12 hours in 1/20 second increments.
- After the chronograph is started or restarted or split time is released, 1/20 second chronograph hand moves about 10 minutes and automatically stops at the "0" position. When the measurement is stopped or split time is measured, it moves to indicate the elapsed 1/20 seconds.
- When the measurement reaches 12 hours, the chronograph automatically stops counting.

■ Standard measurement



■ Accumulated elapsed time measurement



■ Split time measurement

