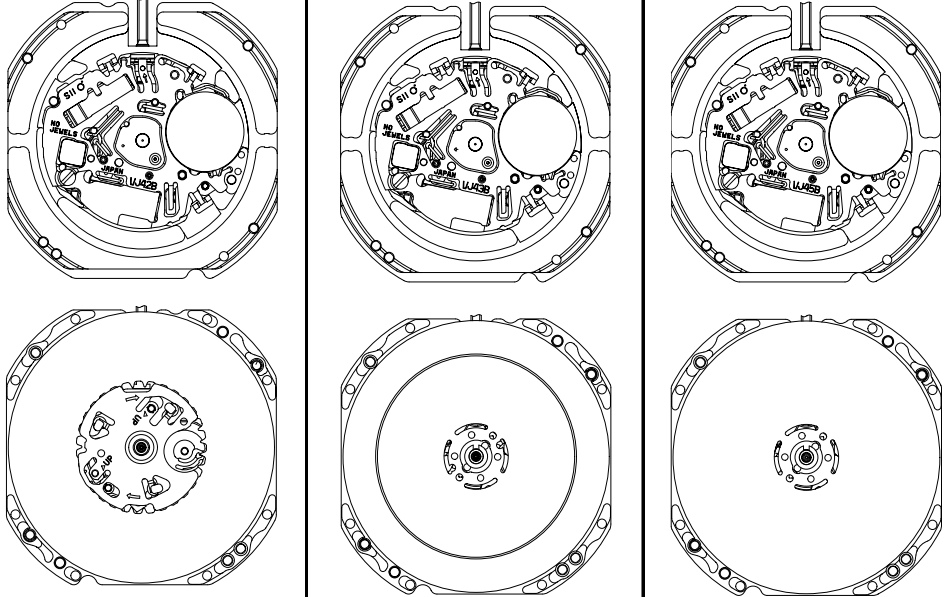





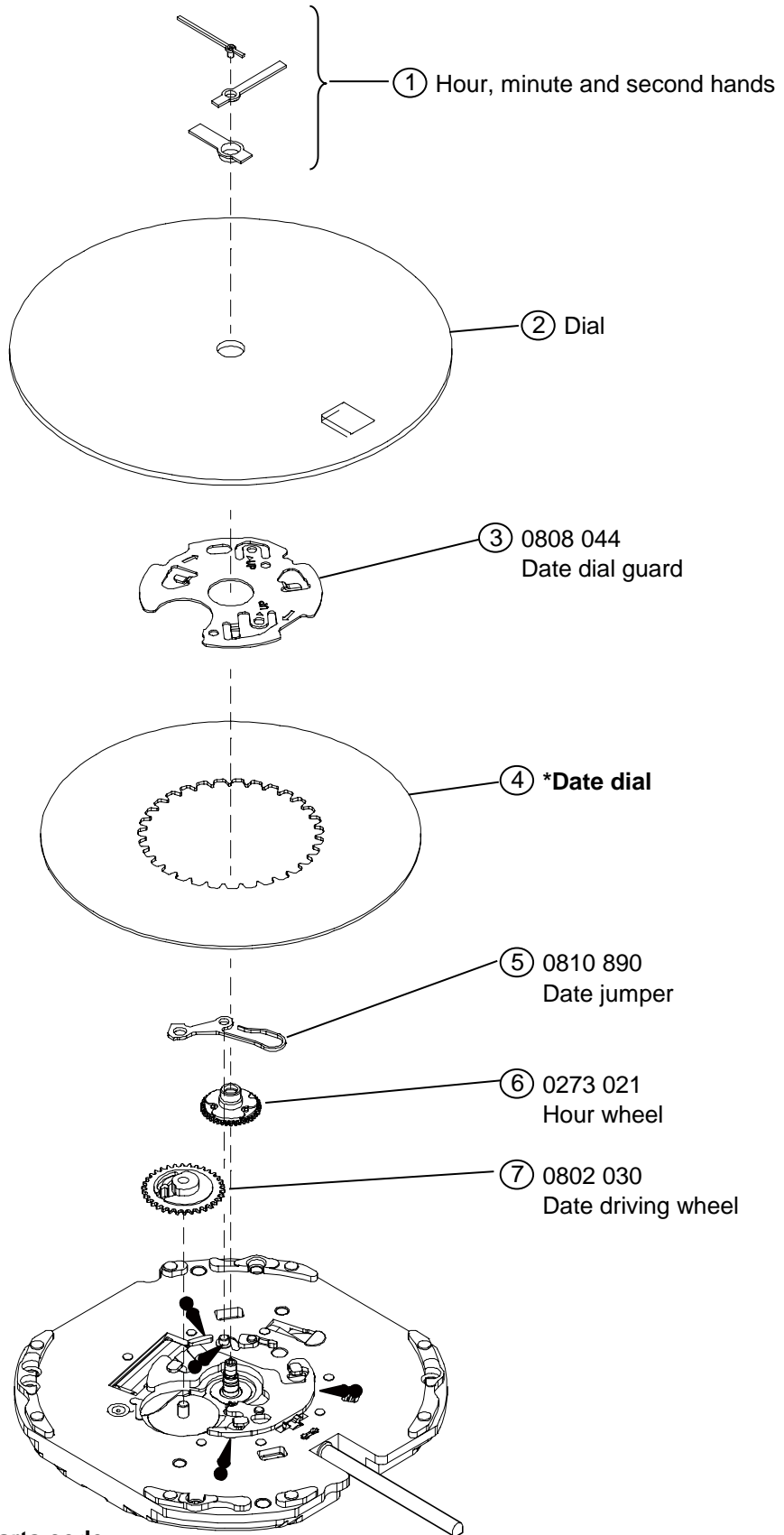
TECHNICAL GUIDE
&
PARTS CATALOGUE
Cal.VJ4*B Series
(VJ42/43/45)
ANALOGUE QUARTZ

SII Products

| Item | | Cal. No. | Cal.VJ4*B Series | | |
|---------------------------------|------------------|--|---|---|--------------|
| Movement | | | VJ42B | VJ43B | VJ45B |
| | |  | | | |
| Movement size | Outside diameter | φ26.40 mm 23.50 mm : between 12 o'clock and 6 o'clock sides 23.50 mm : between 3 o'clock and 9 o'clock sides | | | |
| | Casing diameter | φ25.60 mm 23.50 mm : between 12 o'clock and 6 o'clock sides 21.90 mm : between 3 o'clock and 9 o'clock sides | | | |
| | Total height | 2.79mm | 3.05mm | 3.05mm | |
| Time indication | | 3hands (hour , minute , second) Calendar | 3hands (hour , minute , second) Day & Date Calendar | 3hands (hour , minute , second) Day & Wide Date Calendar | |
| Driving System | | Step motor | | | |
| Additional mechanism | | Electronic circuit reset switch Second setting device Date setting | Electronic circuit reset switch Second setting device Date setting Day setting | | |
| Antimagnetic | | ≥ 1600 A/m | | | |
| Accuracy | | Less than ±20seconds : Monthly rate at normal temperature range | | | |
| Battery | | SR621SW (Silver oxide battery) Battery life is approximately 3 years | | | |
| Measuring gate by quartz tester | | Use 10-second gate * Set the winding stem with crown at the normal position | | | |
| Jewels | | 0 Jewel | | | |
| | | | | | |

| | | |
|--------------------------------------|---|--|
| Disassembling procedures Figs. ① → ⑦ | Lubricating : Types of oil  Moebius 9010  Moebius 9030 | Oil quantity  NORMAL QUANTITY |
| Reassembling procedures Figs. ⑦ → ① | | |

<<VJ42B>>



*Refer to the 6pages for the each parts code

Disassembling procedures Figs. ① → ⑫

Reassembling procedures Figs. ⑫ → ①

Lubricating : Types of oil

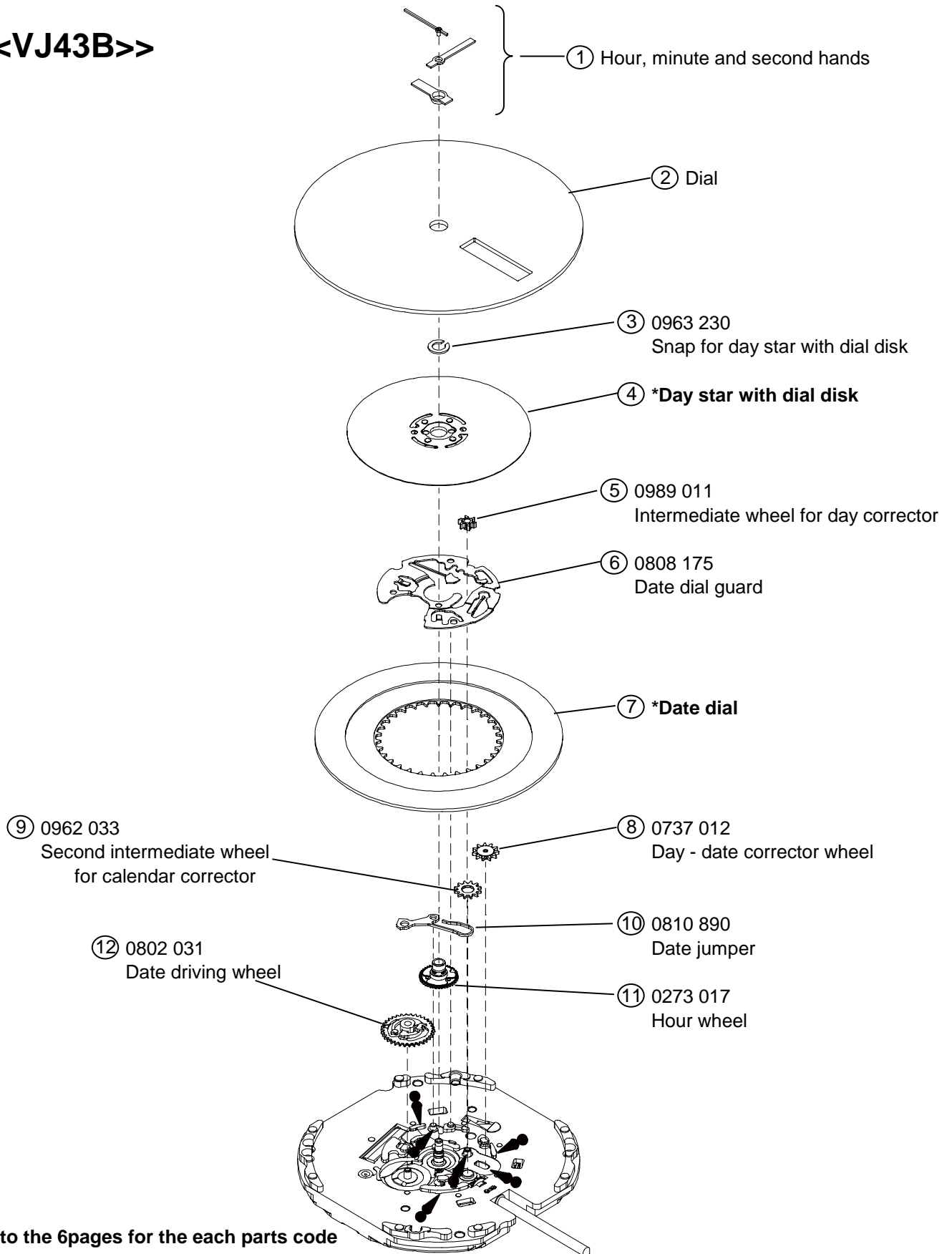
● Moebius 9010

■ Moebius 9030



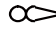
Oil quantity

∞ NORMAL QUANTITY

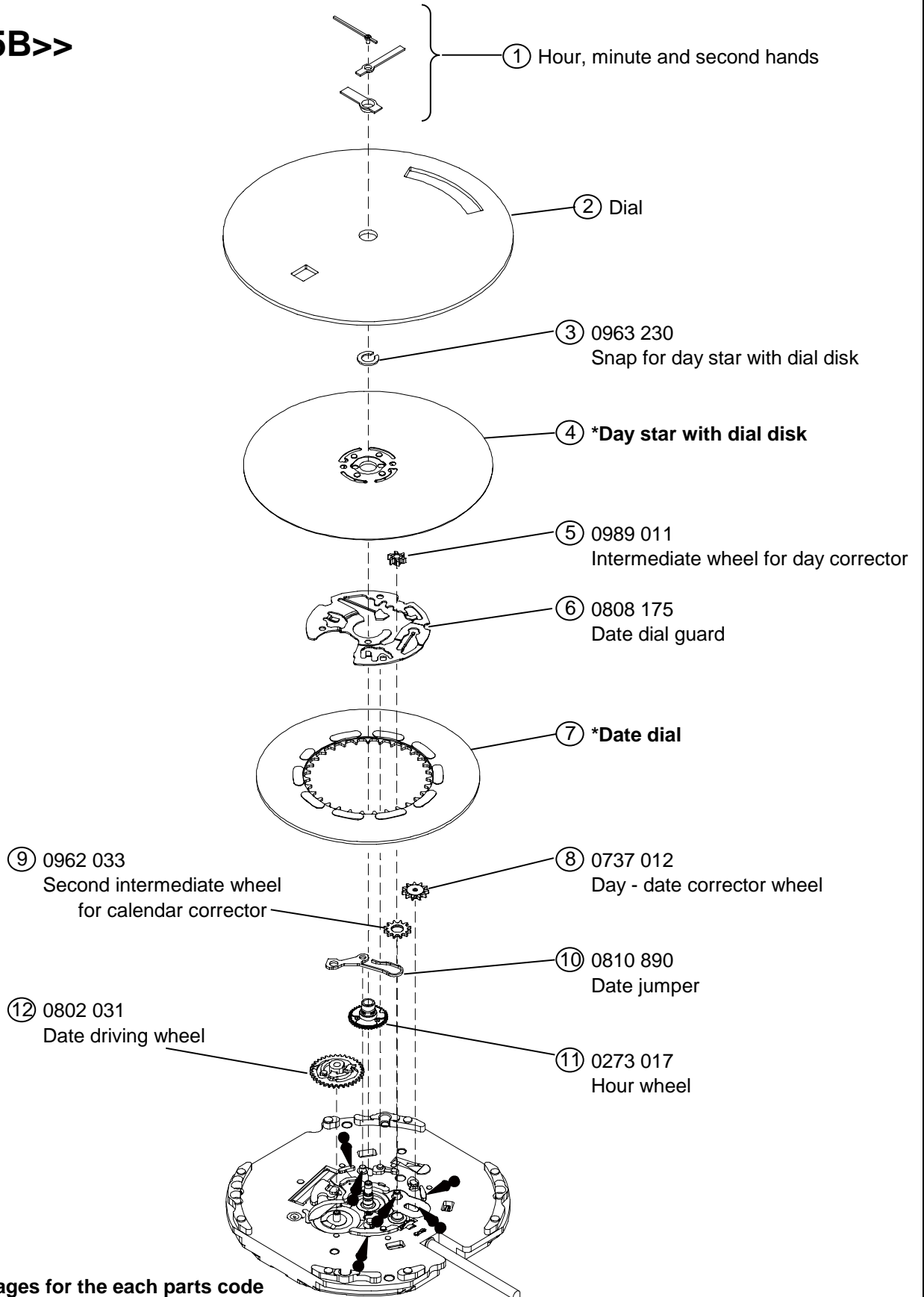
<<VJ43B>>



*Refer to the 6pages for the each parts code

| | | |
|--------------------------------------|---|--|
| Disassembling procedures Figs. ① → ⑫ | Lubricating : Types of oil  Moebius 9010  Moebius 9030 | Oil quantity  NORMAL QUANTITY |
| Reassembling procedures Figs. ⑫ → ① | | |

<<VJ45B>>



*Refer to the 6pages for the each parts code

Disassembling procedures Figs. ① → ②①

Reassembling procedures Figs. ②① → ①

Lubricating : Types of oil

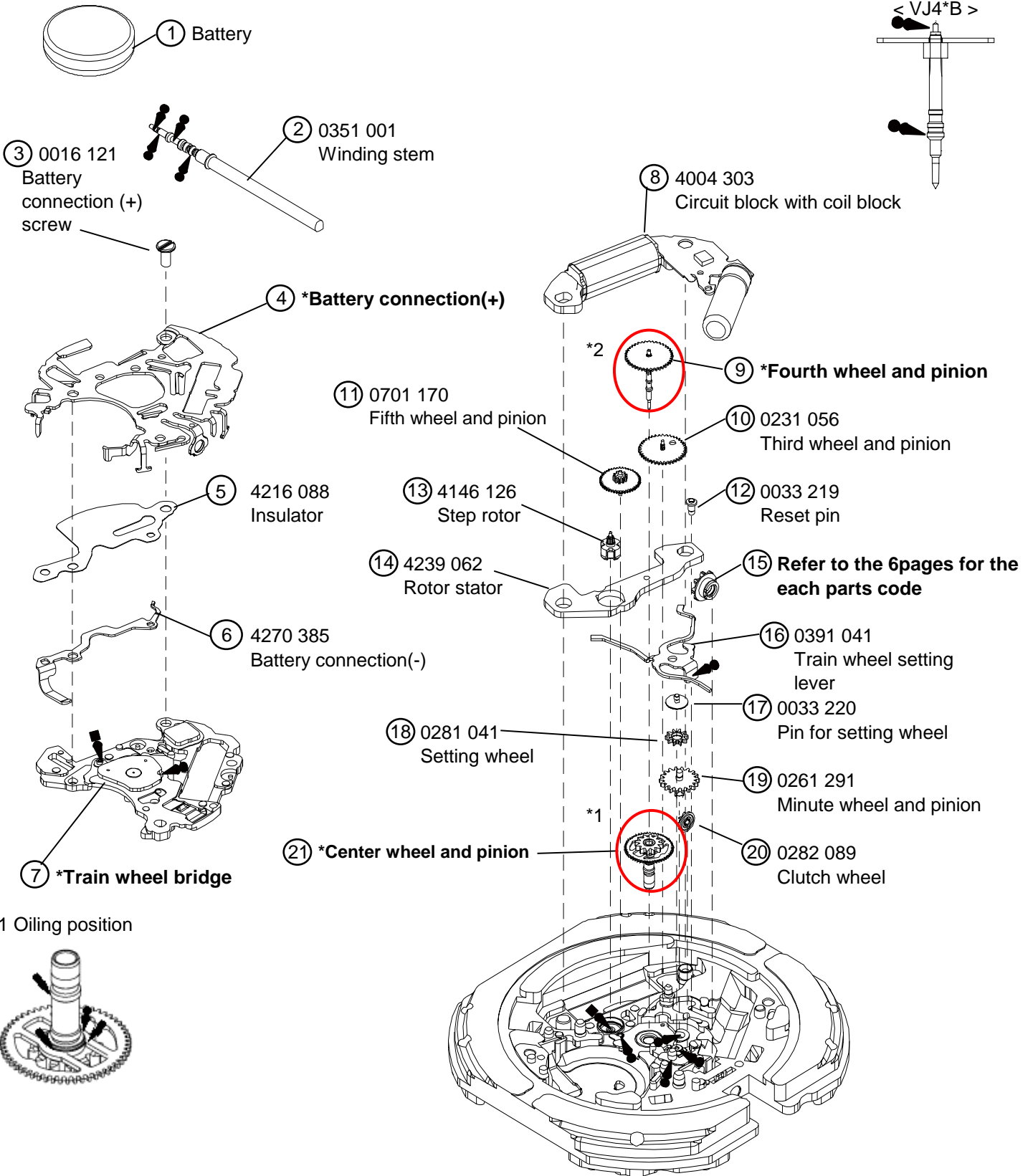
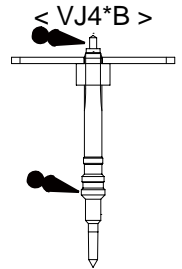
- Moebius 9010
- Moebius 9030

Oil quantity

∞ NORMAL QUANTITY

***Refer to the 6pages for the each parts code**

***2 Oiling position**



Remarks :

O Date dial

VJ42

| Part code | Position of crown | Position of day frame | Color of figure | Color of background | Language |
|-----------|-------------------|-----------------------|-----------------|---------------------|-----------|
| 0878182 | 3H | 3H | Black | White | NORMAL |
| 0878238 | 3H | 3H | Black | White | WIDE |
| 0878254 | 3H | 3H | Black | White | TRAPEZOID |

VJ43

| Part code | Position of crown | Position of day frame | Color of figure | Color of background | Language |
|-----------|-------------------|-----------------------|-----------------|---------------------|----------|
| 0878262 | 3H | 3H | Black | White | |

VJ45

| Part code | Position of crown | Position of day frame | Color of figure | Color of background | Remarks |
|-----------|-------------------|-----------------------|-----------------|---------------------|---------|
| 0878296 | 3H | 6H | Black | White | |

O Day star with dial disk

VJ43

| Part code | Position of crown | Position of day frame | Color of figure | Color of background | Language | Remarks |
|-----------|-------------------|-----------------------|----------------------------|---------------------|---------------------|---------|
| 0150300 | 3H | 3H | Mon~Sat: Black Sun: Red | White | English/ Spanish | |

VJ45

| Part code | Position of crown | Position of day frame | Color of figure | Color of background | Language | Remarks |
|-----------|-------------------|-----------------------|-----------------|---------------------|------------------------|---------|
| 0150310 | 3H | 12H | Black | White | English Monolingual | |

O Different parts for each CAL.

| Parts name | VJ42B | VJ43B | VJ45B |
|---|----------|----------|----------|
| ⑮ Date corrector wheel | 0806 142 | — | — |
| First intermediate wheel for calendar corrector | — | 0962 009 | 0962 009 |
| ⑳ Center wheel and pinion | 0221 065 | 0221 066 | 0221 066 |

O The part which is not common in Cal.VJ4*B

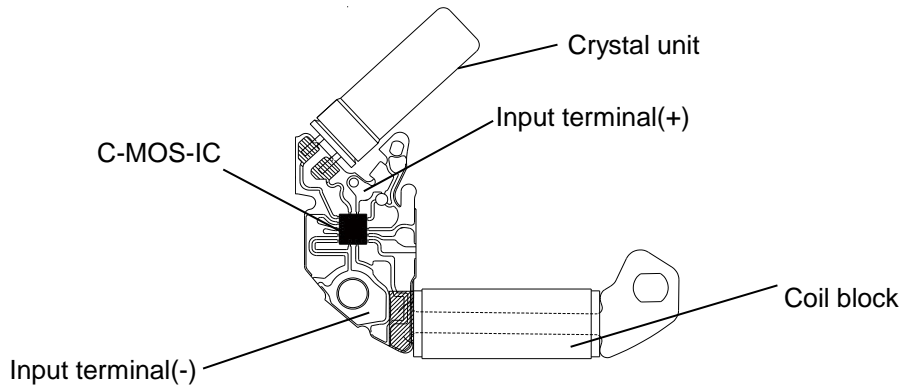
| Parts name | VJ42B | VJ43B | VJ45B |
|---------------------------|----------|----------|----------|
| ④ Battery connection(+) | 4268 056 | 4268 058 | 4268 059 |
| ⑦ Train wheel bridge | 0125 297 | 0125 297 | 0125 297 |
| ⑨ Fourth wheel and pinion | 0144 105 | 0144 125 | 0144 125 |

***All parts code are subject to change without notice.**

•The explanation here is only for the particular point of Cal.VJ4* series

I .STRUCTURE OF THE CIRCUIT BLOCK

Notes: Since the circuit block and coil block are made by one piece, in disassembling and reassembling take care not to cut the coil line.

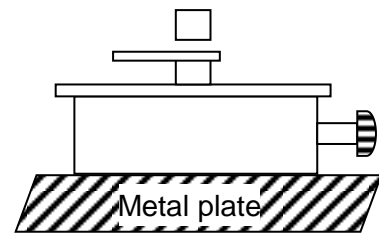


II .REMARKS ON DISASSEMBLING AND REASSEMBLING

① HAND

•How to install hands

Place the movement directly on a flat metal plate or the like to install the hands.

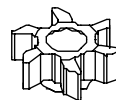


② Intermediate wheel for day corrector

Set the intermediate wheel for day corrector in the direction as shown in the illustration at right.

*Cal.VJ42 not Intermediate wheel for day corrector.

Dial side



Main plate side

③ Date dial guard

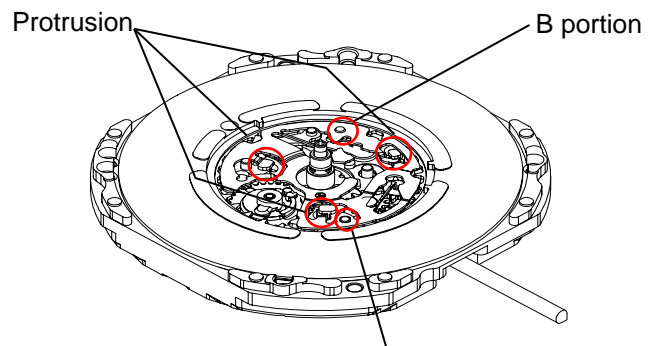
The date dial guard has three protrusions to be caught under the main plate, and it is also fixed by two guide pins.

•How to remove

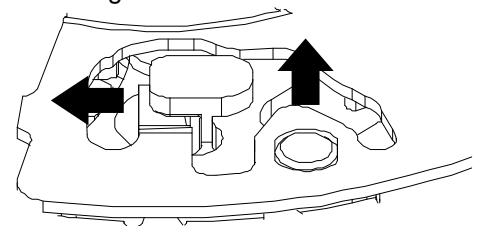
1) Lightly lift the A portion of the date dial guard with tweezers to release it from the guide pin, and then move it in the clockwise direction until it gets off the guide pin.

2) Release the B portion of the date dial guard in the same way as described above, and then move it in the clockwise direction until it gets off the guide pin.

3) Check that all the three protrusions of the date dial guard have come off from the main plate, and then remove the date dial guard.



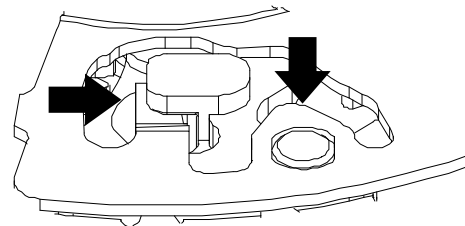
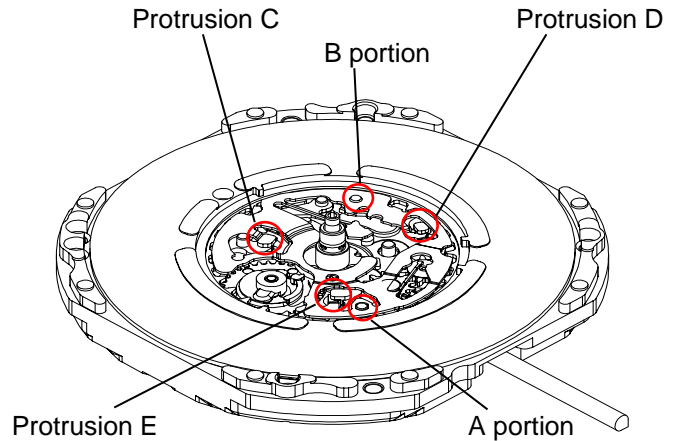
Date dial guard



Guide pin

•How to install

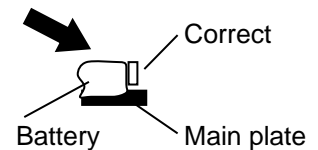
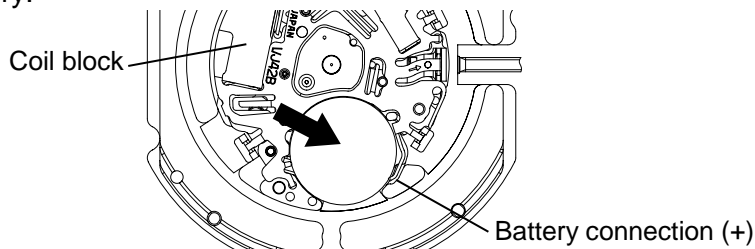
- 1) Put the date dial guard on the main plate so that the A and B portions are over the guide pins, as shown in the illustrations at right.
- 2) Move the protrusion D of the date dial guard in the counterclockwise direction so that it is caught under the main plate.
- 3) Slightly move the protrusions C and E in the counterclockwise direction alternately to set them under the main plate. Then, set the A and B portions of the date dial guard to the guide pins.
- 4) Check that the date dial guard is fixed securely to the main plate.



④ Battery

•How to install battery

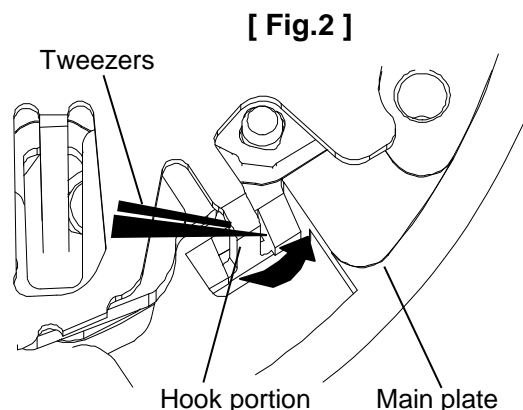
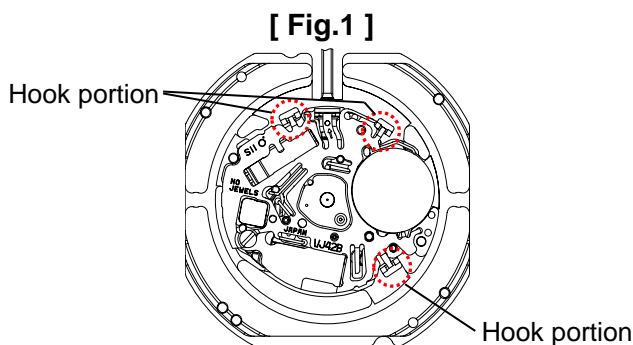
Insert the battery aslant in the direction shown by the arrow. Check the battery connection (+) securely touches the side face of the battery.



⑤ Battery connection (+)

•How to install

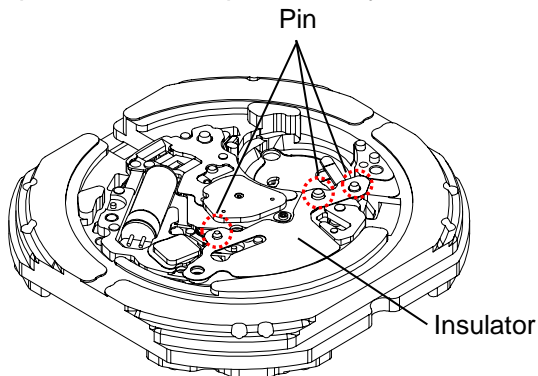
Have the hook portions (3 places) catch the main plate (Fig.1&2). In disassembling and reassembling, take care not to deform the hook portions. After installing the battery connection (+), check that the three hook portions securely catch the main plate.



⑥ Insulator

•Setting position

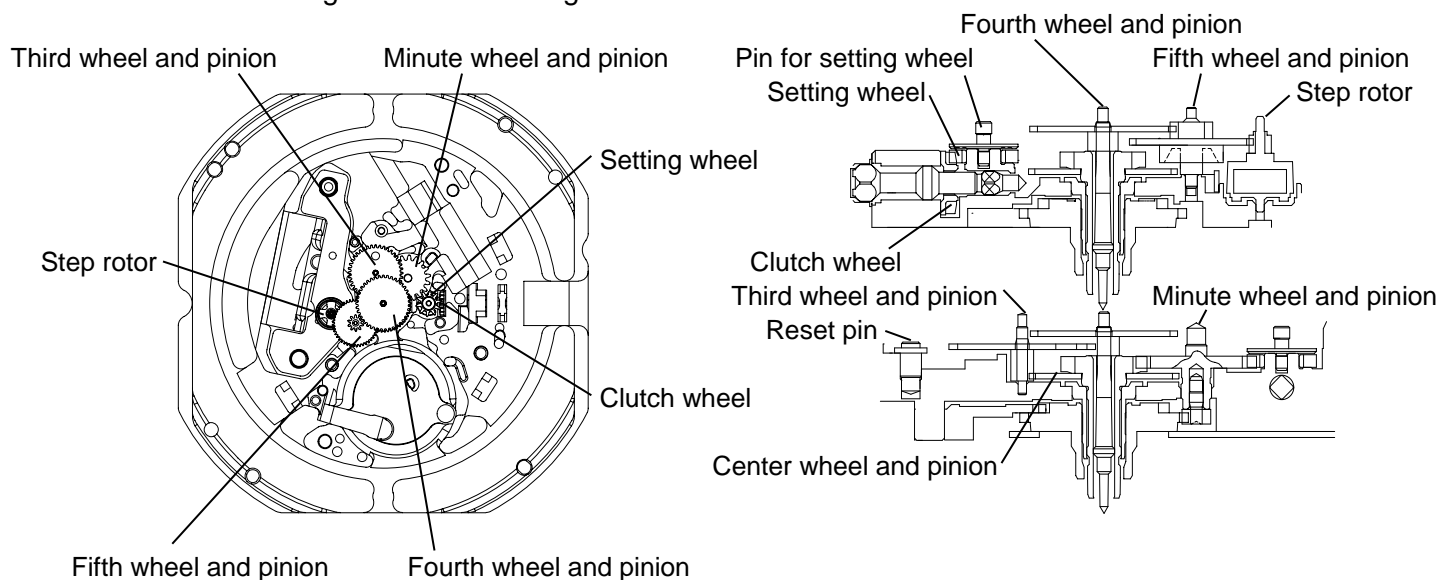
Notes: To insulate between the battery connection (+) and the battery connection (-), Insulator should be put at the three pin securely as below.



⑦ Train wheel bridge

•Setting position

Notes: Since the fifth wheel and pinion and step rotor are made of plastics, take care not to damage them in disassembling and reassembling.

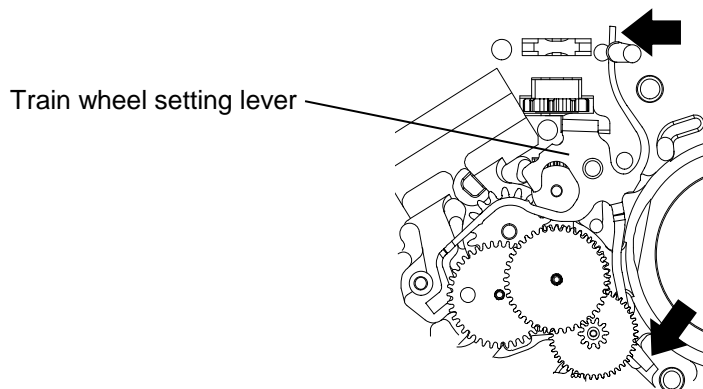


⑧ Train wheel setting lever

•Setting position

Notes:

- Catch the part of spring of the train wheel setting lever to the pin like as below.
- Take care not to deform the spring portion of the train wheel setting lever.

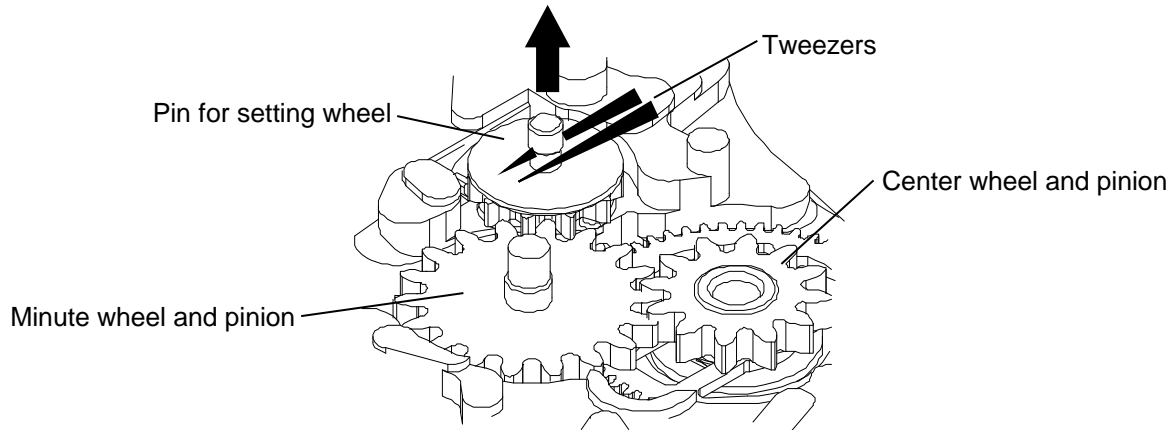


⑨ Pin for setting wheel

Notes:

- In disassembling and reassembling , take care not to damage the portion that is assembled of the pin.
- (Since the portion that is assembled of the pin is made of plastics and easily damaged.)

In disassembling ,
pick the pin up main plate to vertical direction with care .



In reassembling ,
push the pin in main plate to vertical direction with care .

