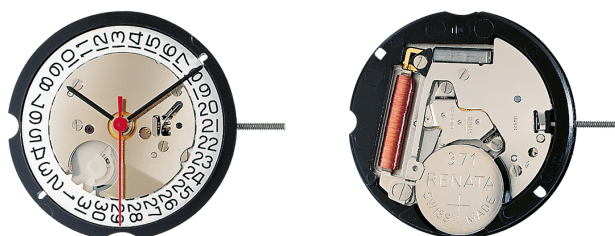


# RONDA powertech 500 and 762E, 763E

Affordable metal movements  
for reliable quality watches

*Caliber 505 – 10½'''*



## Product Specifications

Analog quartz movement

Line powertech

Caliber 505

Size 10½'''

Version Swiss Made 1 Jewels / nickel plated  
Swiss Parts 1 Jewels / nickel plated

Standard battery life 45 months

Hand fitting height 1

## Features

- Repairable metal watch movement
- Power saving mechanism with pulled out stem: Reduction of consumption approximately 70%
- Interchangeability: All versions 10½''' with same movement height 3.00 mm and stem height 1.50 mm
- Very powerful stepping motor

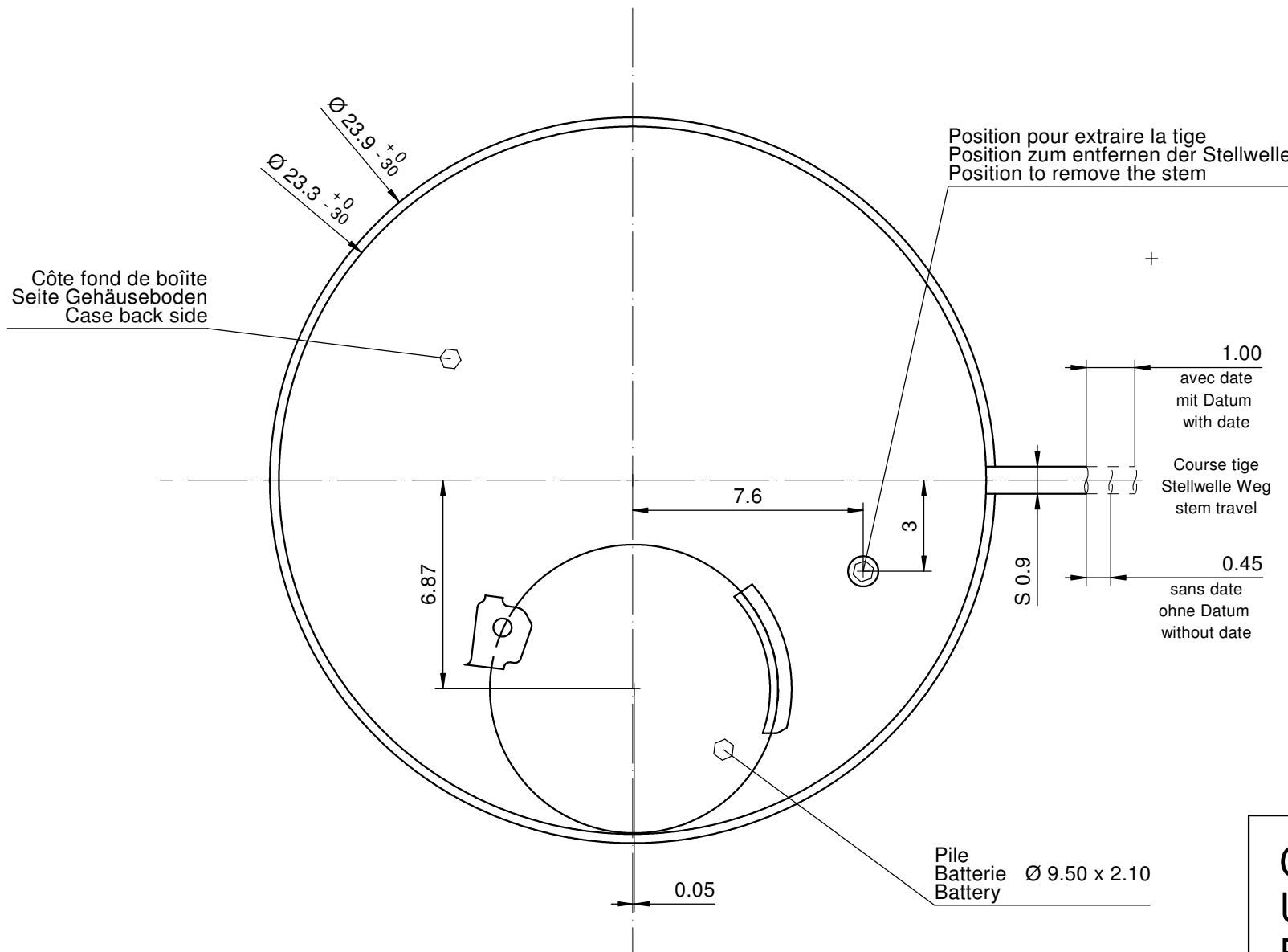
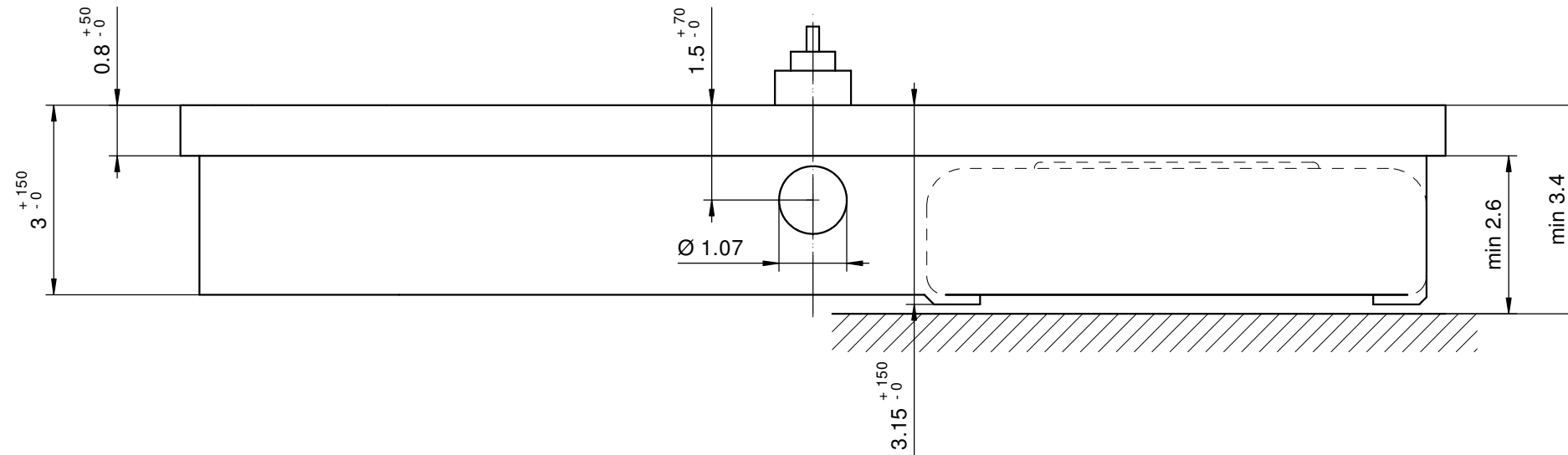
**Functions**

- Date
- 3 hands

**Technical Specifications**

Diameter Total	23.90 mm
Case fitting	23.30 mm
Movement height	3.00 mm
Height over standard battery	3.25 mm
Movement rest	0.80 mm
Height over stem	1.50 mm
Length of stem travel	1.00 mm
Force to push the stem for screwed crown	N
Stem thread	0.90 mm
Standard battery	371
Standard battery life	45 months
Battery voltage	1.5 V
Current consumption – typical	1.28 µA (Date Mechanism not in Gear)
Current consumption – maximum	1.85 µA (Date Mechanism not in Gear)
Useful torque second – typical	11 µNm
Useful torque minute – typical	550 µNm
Operating temperature	0 - 50 °C
Instantaneous rate	-10/ +20 sec/month
Resistance to magnetic fields	18.8 Oe
Resistance against shock	NIHS 91-10





Position pour extraire la tige  
Position zum entfernen der Stellwelle  
Position to remove the stem

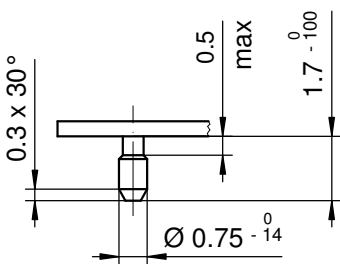
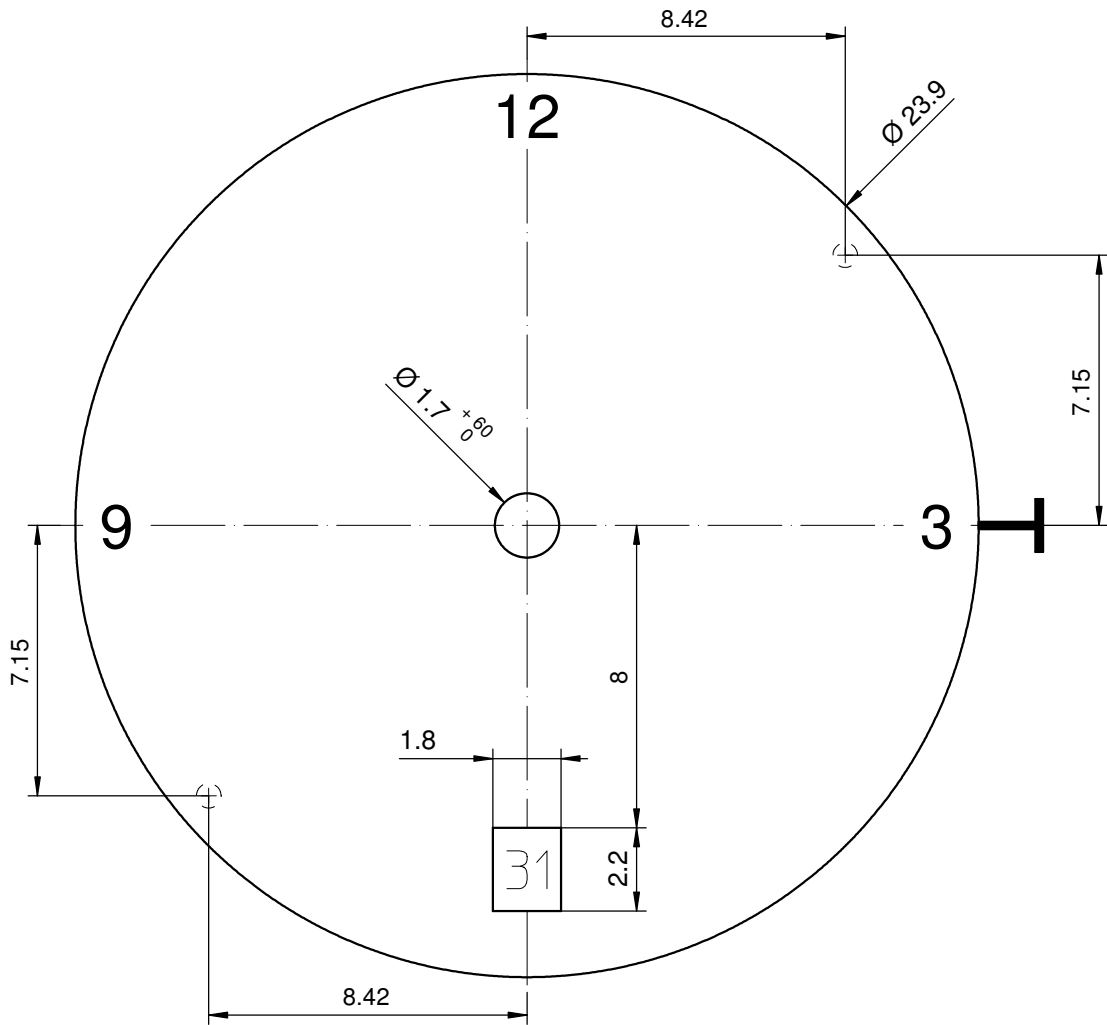
+

- 1.00  
avec date  
mit Datum  
with date
- Course tige  
Stellwelle Weg  
stem travel
- 0.45  
sans date  
ohne Datum  
without date

Sécurité entre aiguille seconde et verre : min 0.30 mm  
Sicherheit zwischen Sekundenzeiger und Glas : min 0.30 mm  
Security between second hand and glass : min 0.30 mm

Le cadran doit être maintenu en hauteur par la boîte.  
Das Zifferblatt muss in der Höhe vom Gehäuse festgehalten werden.  
The dial must be held in the height by the case.

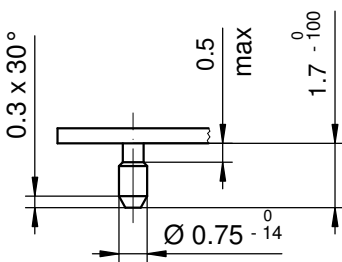
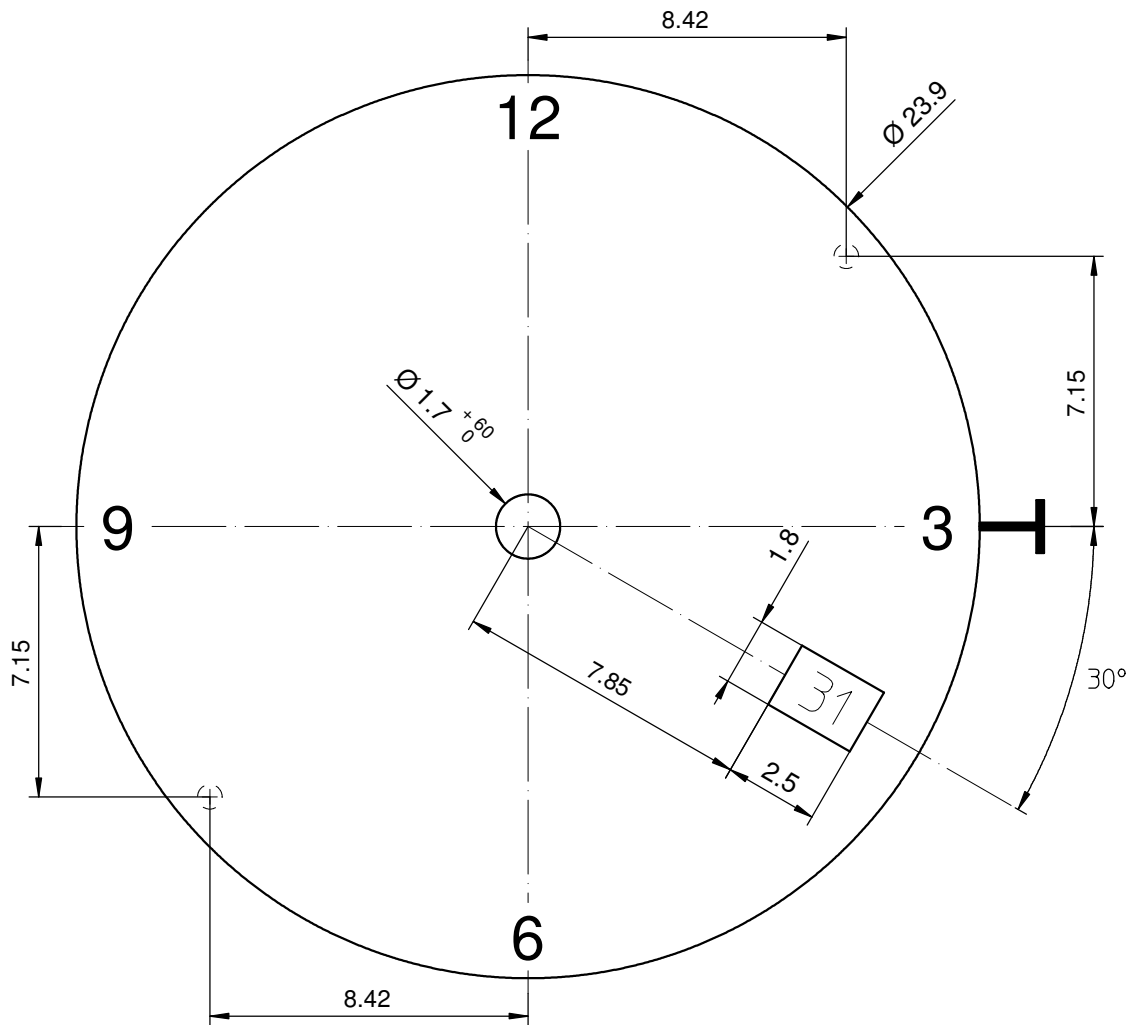
<b>Cage</b> <b>Uhrwerkgestell 10½"</b> <b>Frame</b>		Issued	09.02.2000	cs	
		Modified	16.11.2017	dh5221	
		Released	YES		
		Mod. No.	36881		
		Tolerance	±20 µm		
		Scale	10 : 1	Page 1/1 A3	
RONDA	502, 503, 503S, 505, 505S, 507, 509			Sous réserve de modifications Änderungen vorbehalten Modifications reserved	
	No.	5000.284		07	



Epaisseur du cadran selon hauteur de l'aiguillage  
 Zifferblattdicke gemäss Zeigerwerkhöhen  
 Dial thickness according to hand fitting heights

Tige	Date
Stellw.	Datum
Stem	Date
<b>3H</b>	<b>6H</b>

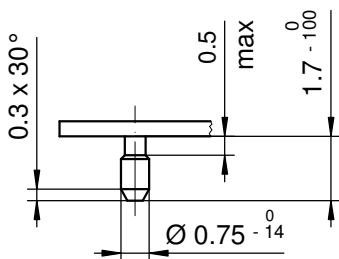
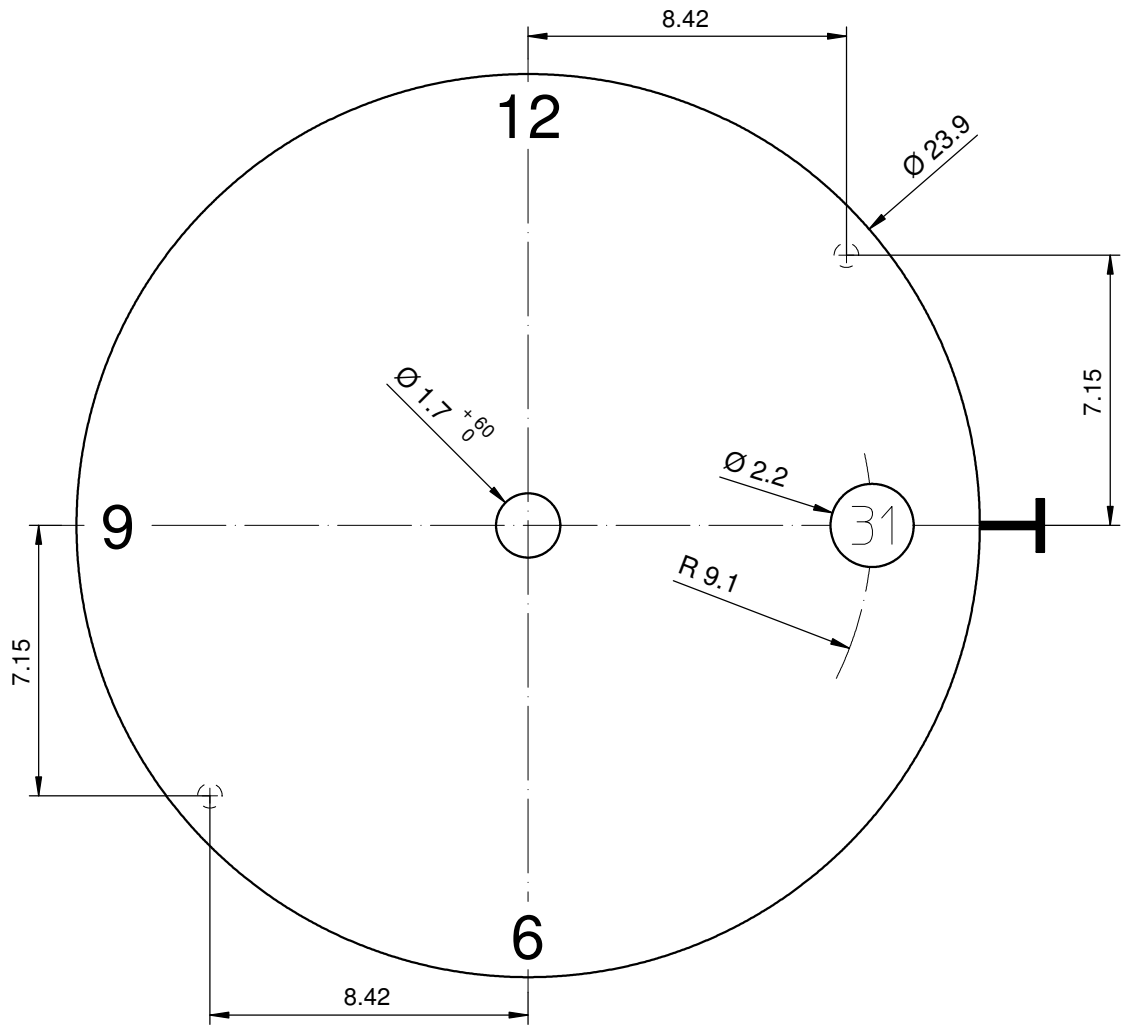
<b>Cadran</b> <b>Zifferblatt</b> <b>Dial</b>	<b>10½"</b>	Issued	13 Dez 2006	rh
		Modified	20 Aug 2012 ÄA 12806	mc
		Released	YES	
		Tolerance	+/- 20 µm	
		Scale	5 : 1 (A4V)	
<b>RONDA</b>	<b>505, 505S, 704, 705, 705Li</b>	Sous réserve de modifications Aenderungenvorbehalten Modificationsreserved		
		No.	5010.423	06



Epaisseur du cadran selon hauteur de l'aiguillage  
 Zifferblattdicke gemäss Zeigerwerkhöhen  
 Dial thickness according to hand fitting heights

Tige	Date
Stellw.	Datum
Stem	Date
<b>3H</b>	<b>4H</b>
	<input type="checkbox"/>

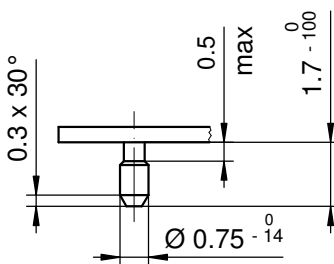
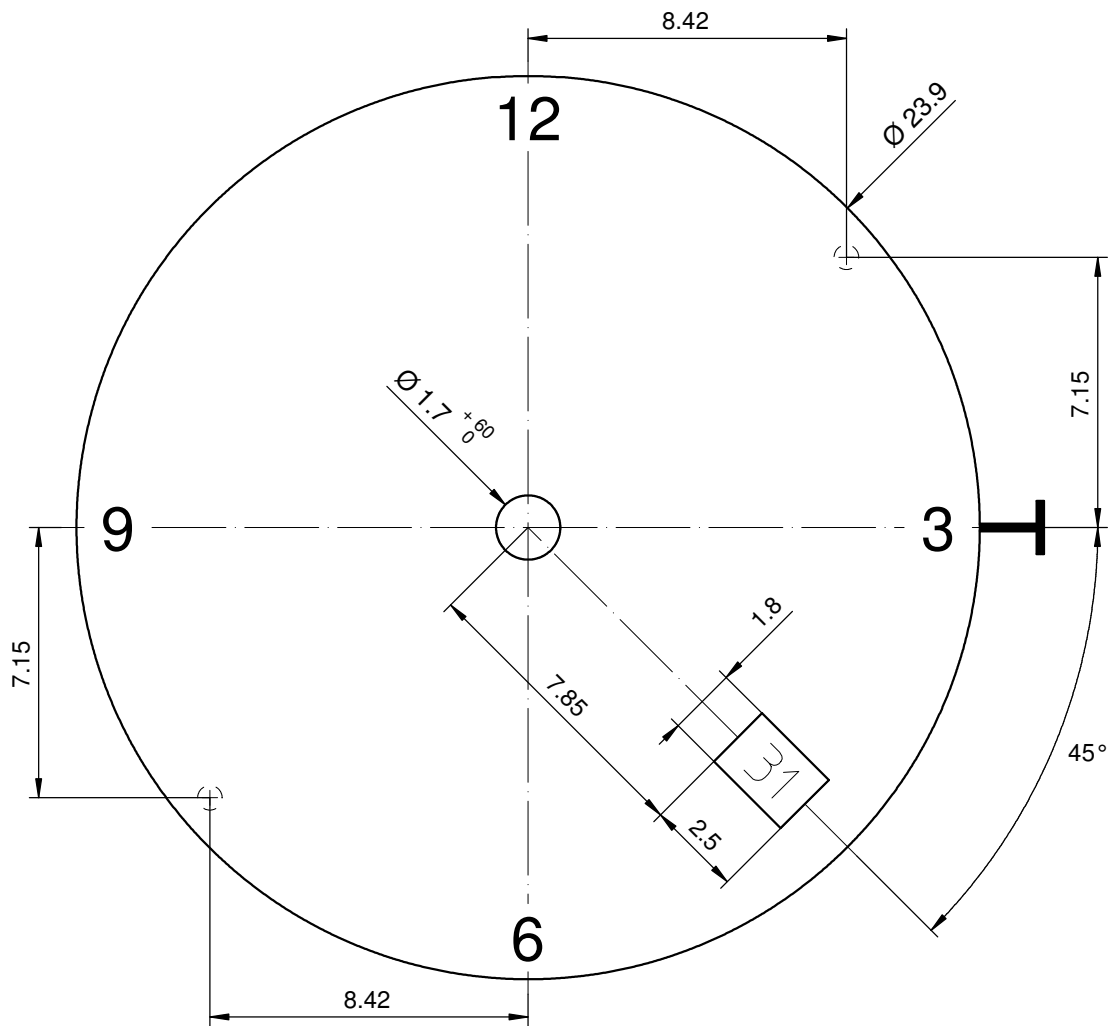
<b>Cadran</b> <b>Zifferblatt</b> <b>Dial</b>	<b>10½"</b>	Issued	05 Jun 2007	cm
		Modified	20 Aug 2012 ÄA 12806	mc
		Released	YES	
		Tolerance	+/- 20 µm	
		Scale	5 : 1 (A4V)	
<b>RONDA</b>	<b>505, 505S, 704, 705, 705Li</b>	Sous réserve de modifications Aenderungenvorbehalten Modificationsreserved		
		No.	5010.376	02



Epaisseur du cadran selon hauteur de l'aiguillage  
 Zifferblattdicke gemäss Zeigerwerkhöhen  
 Dial thickness according to hand fitting heights

Tige	Date
Stellw.	Datum
Stem	Date
<b>3H</b>	<b>3H</b>
○	

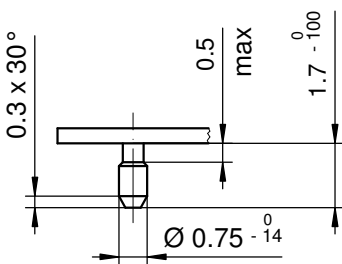
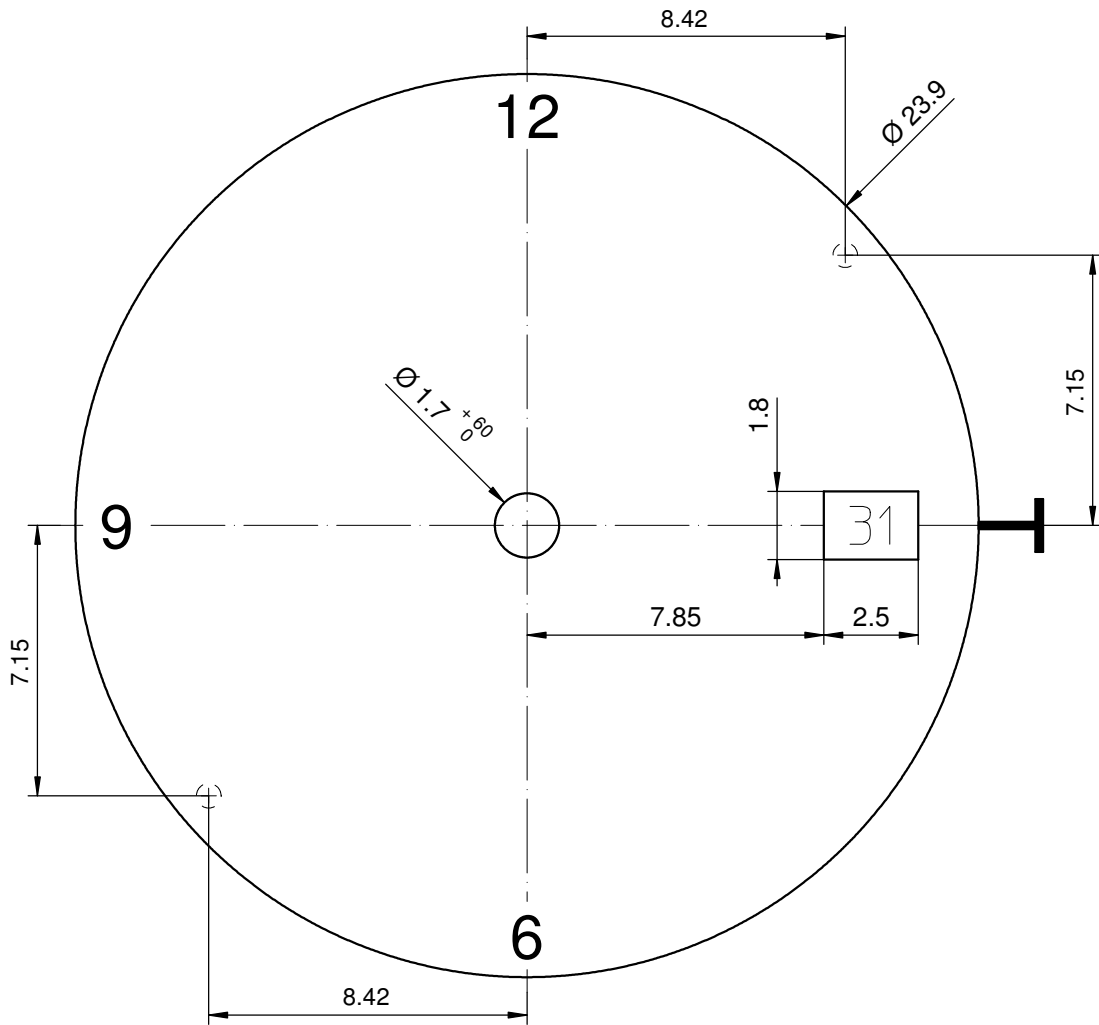
<b>Cadran</b> <b>Zifferblatt</b> <b>Dial</b>	<b>10½"</b>	Issued	14 Dez 2006	cw
		Modified	20 Aug 2012 ÄA 12806	mc
		Released	YES	
		Tolerance	+/- 20 µm	
		Scale	5 : 1 (A4V)	
<b>RONDA</b>	<b>505, 505S, 704, 705, 705Li</b>	Sous réserve de modifications Aenderungenvorbehalten Modificationsreserved		
		No.	5010.422	07



Epaisseur du cadran selon hauteur de l'aiguillage  
 Zifferblattdicke gemäss Zeigerwerkhöhen  
 Dial thickness according to hand fitting heights

Tige	Date
Stellw.	Datum
Stem	Date
3H	4½H

<b>Cadran</b> <b>Zifferblatt</b> <b>Dial</b>	<b>10½"</b>	Issued	14 Dez 2006	cw
		Modified	20 Aug 2012 ÄA 12806	mc
		Released	YES	
		Tolerance	+/- 20 µm	
		Scale	5 : 1 (A4V)	
<b>RONDA</b>	<b>505, 505S, 704, 705, 705Li</b>	Sous réserve de modifications Aenderungenvorbehalten Modificationsreserved		
		No.	5010.583	03

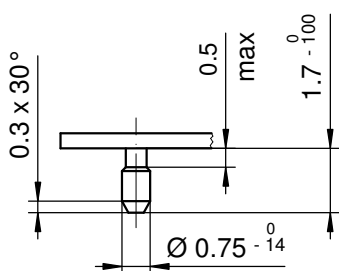
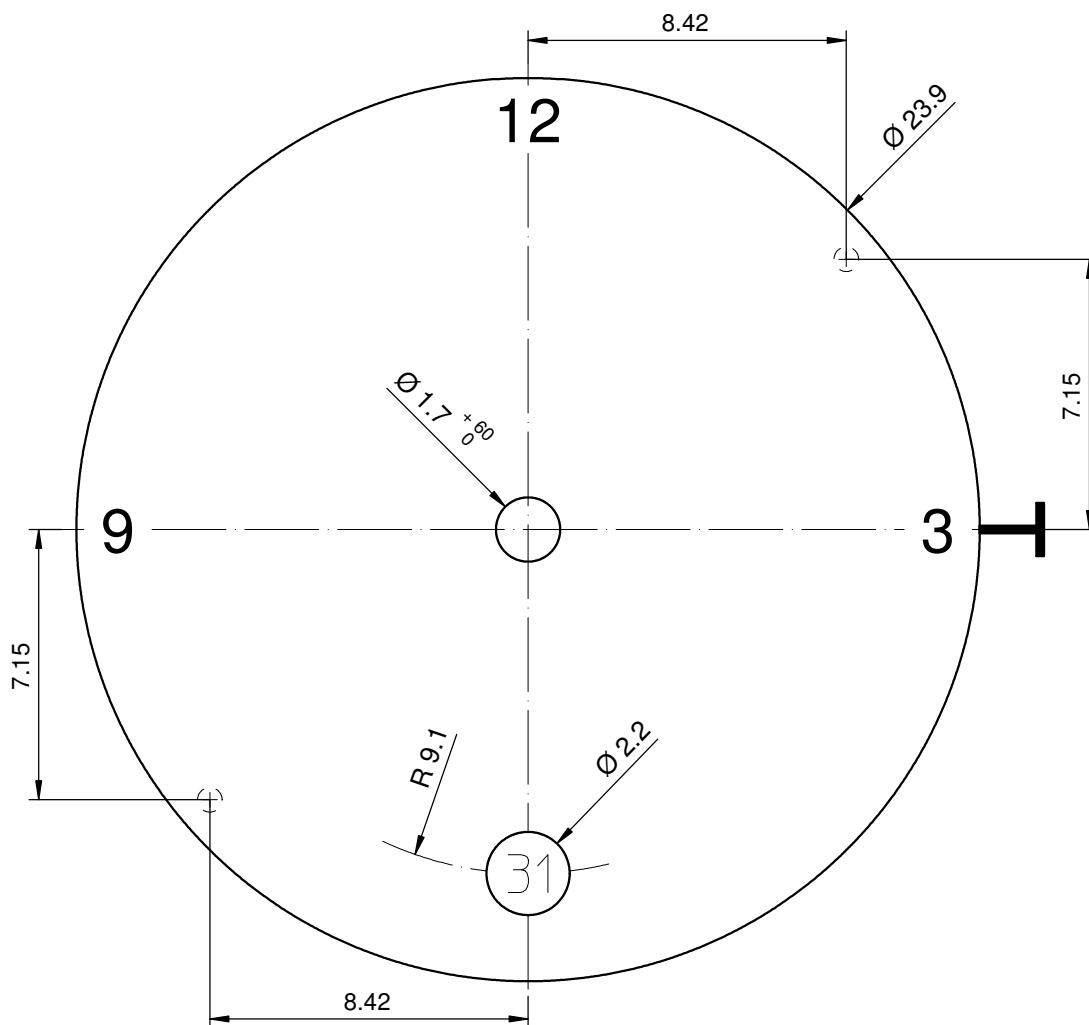


Epaisseur du cadran selon hauteur de l'aiguillage  
 Zifferblattdicke gemäss Zeigerwerkhöhen  
 Dial thickness according to hand fitting heights

Tige	Date
Stellw.	Datum
Stem	Date
<b>3H</b>	<b>3H</b>

<b>Cadran</b> <b>Zifferblatt</b> <b>Dial</b>	<b>10½"</b>	Issued	14 Dez 2006	cw
		Modified	20 Aug 2012 ÄA 12806	mc
		Released	YES	
		Tolerance	+/- 20 µm	
		Scale	5 : 1 (A4V)	
<b>RONDA</b>	<b>505, 505S, 704, 705, 705Li</b>	Sous réserve de modifications Aenderungenvorbehalten Modificationsreserved		
		No.	5010.360	07

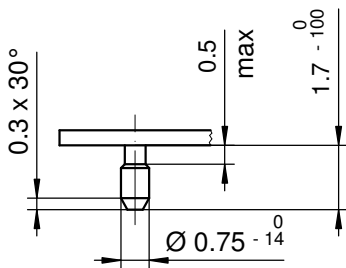
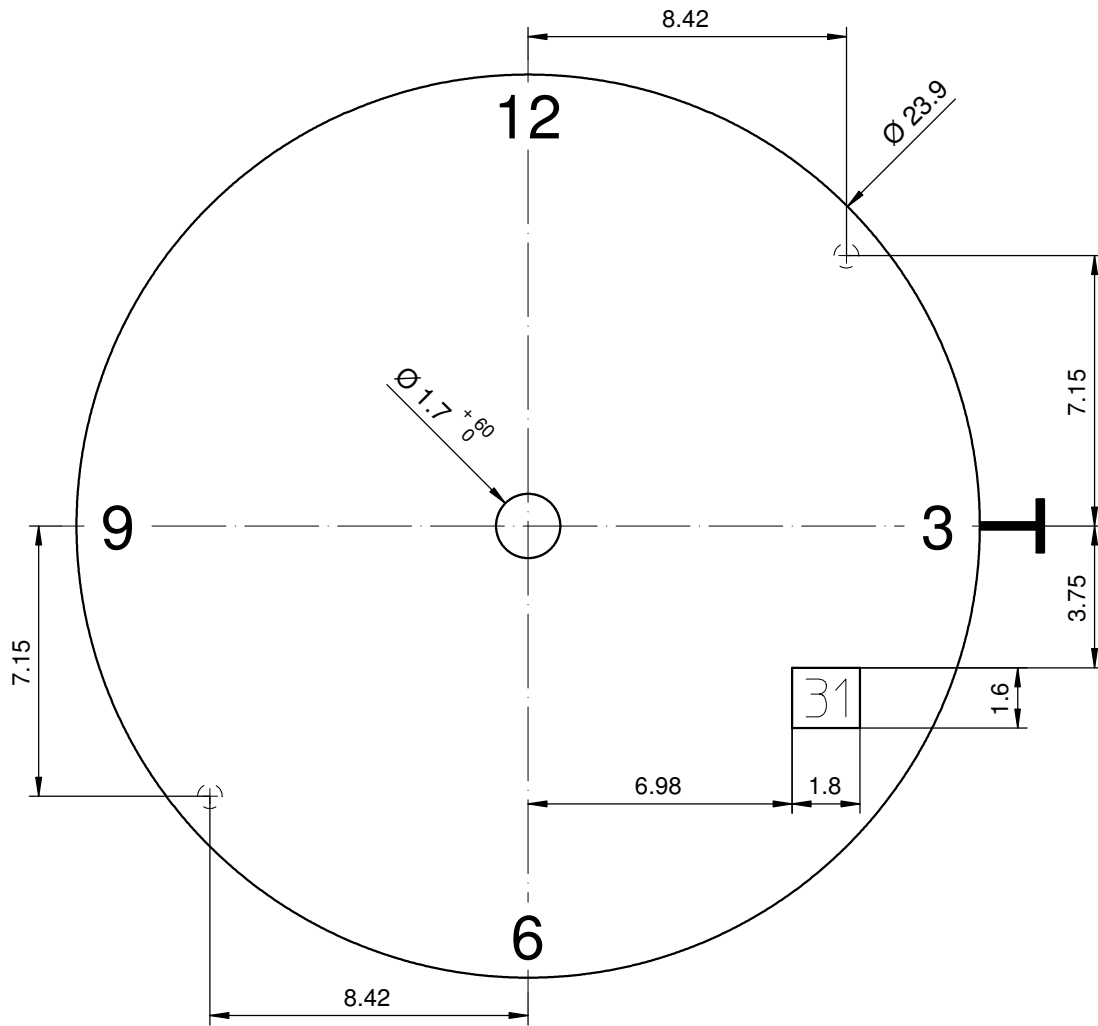




Tige	Date
Stellw.	Datum
Stem	Date
<b>3H</b>	<b>6H</b>
○	

Epaisseur du cadran selon hauteur de l'aiguillage  
 Zifferblattdicke gemäss Zeigerwerkhöhen  
 Dial thickness according to hand fitting heights

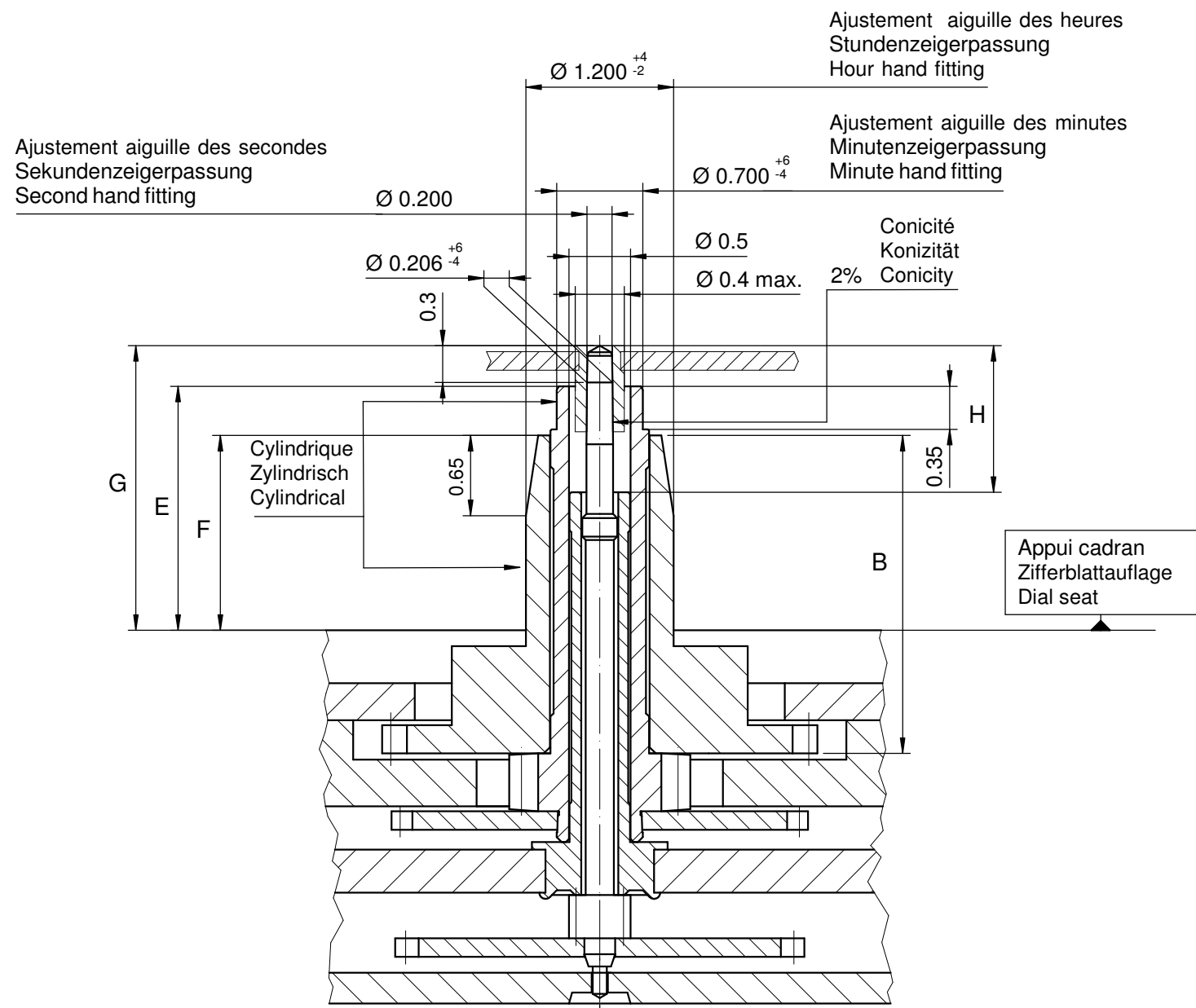
<b>Cadran</b> <b>Zifferblatt</b> <b>Dial</b>	<b>10½"</b>	Issued	14 Dez 2006	cw
		Modified	20 Aug 2012 ÄA 12806	mc
		Released	YES	
		Tolerance	+/- 20 µm	
		Scale	5 : 1 (A4V)	
<b>RONDA</b>	<b>505, 505S, 704, 705, 705Li</b>	Sous réserve de modifications Aenderungenvorbehalten Modificationsreserved		
		No.	5010.426	06



Epaisseur du cadran selon hauteur de l'aiguillage  
 Zifferblattdicke gemäss Zeigerwerkhöhen  
 Dial thickness according to hand fitting heights

Tige	Date
Stellw.	Datum
Stem	Date
<b>3H</b>	<b>4H</b>

<b>Cadran</b> <b>Zifferblatt</b> <b>Dial</b>	<b>10½"</b>	Issued	14 Dez 2006	cw
		Modified	20 Aug 2012 ÄA 12806	mc
		Released	YES	
		Tolerance	+/- 20 µm	
		Scale	5 : 1 (A4V)	
<b>RONDA</b>	<b>505, 505S, 704, 705, 705Li</b>	Sous réserve de modifications Aenderungenvorbehalten Modificationsreserved		
		No.	5010.578	03



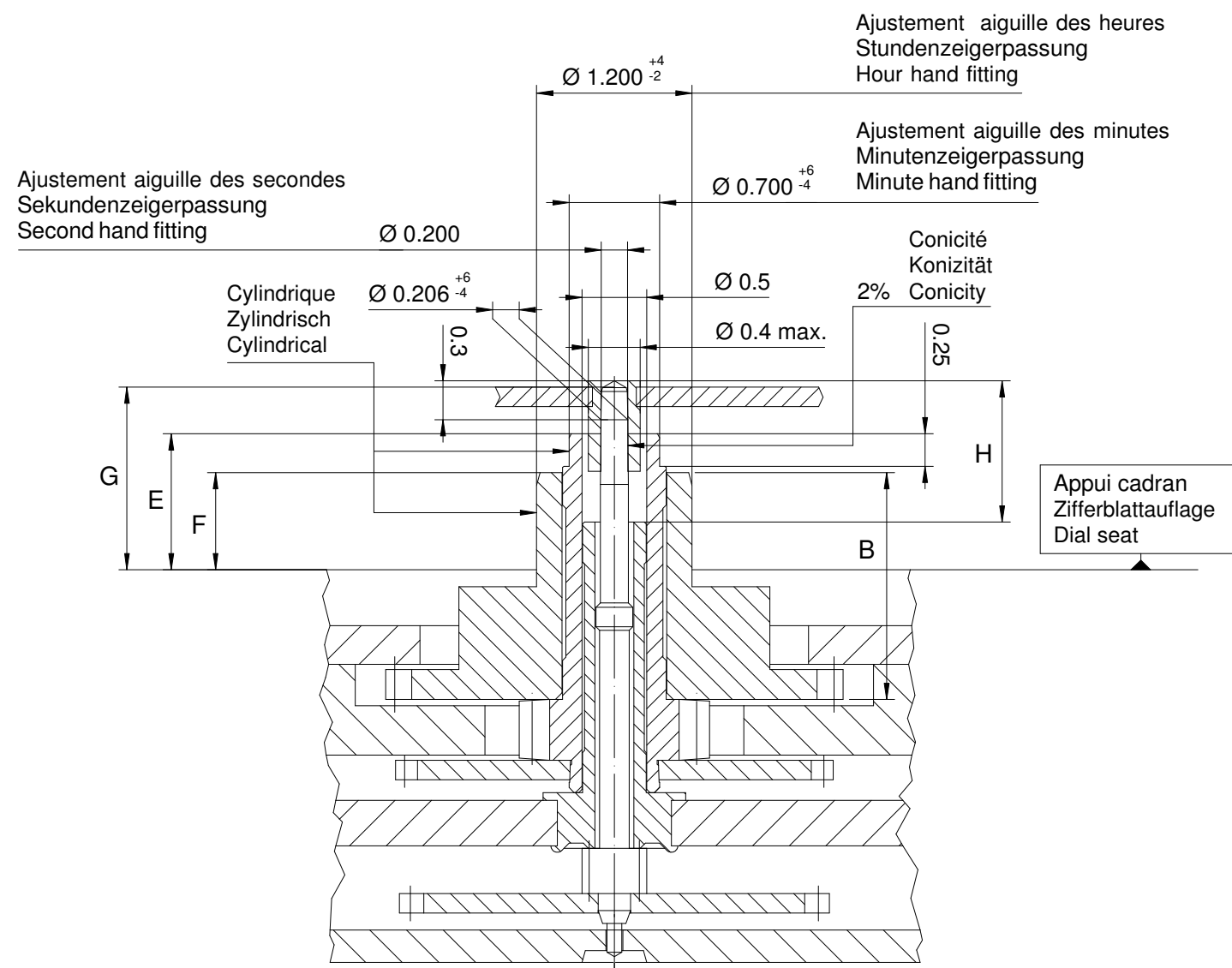
Heures / minutes / secondes  
 Stunden / Minuten / Sekunden  
 Hours / minutes / seconds

Aiguillage no ZeigerwerkhöheNr. Hand fitting height No	Dépassement Höhe über Zifferblattauflage Height over dial seat			Longueur Länge Length		Epaisseur max. (peinture comprise) Max. thickness (inkl. Farbe) Max. thickness (paint included)			
	Pignon des secondes Sekundentrieb Second pinion	Chaussée Minutenrohr Cannon-pinion	Roue des heures Stundenrad Hour wheel	Roue des heures Stundenrad Hour wheel	Cadran Zifferblatt Dial			Aiguilles Zeiger Hands	
					Sous l'aiguille des secondes Unter Sekundenzeiger Under second hand	Sous l'aiguille des minutes Unter Minutenzeiger Under minute hand	Sous l'aiguille des heures Unter Stundenzeiger Under hour hand		
	G	E	F	H	B				
6	2.31	1.98	1.58	1.19	2.58	1.80	1.55	0.40	0.15

		Aig. des secondes Sekundenzeiger Second hand	Aig. des minutes Minutenzeiger Minute hand	Aig. des heures Stundenzeiger Hour hand	Lors de la pose d'aiguilles, le mouvement doit être soutenu. Beim Zeigersetzen muss das Werk abgestützt werden. The movement needs to be supported for hand setting.	
		503, 505, 513, 515	503S, 505S, 513S, 515S	Alle/Tous/All	Kaliber/Calibre/Caliber	
mg	max.	10	10	30	30	Masse / Masse / Weight *
µNm	max.	0.08	0.08	0.70	0.70	Balourd / Unwucht / Unbalance *
gmm <sup>2</sup>	max.	0.4	1.0	-	-	Inertie / Massenträgheit / Inertia *
N	max.	30	30	40	40	Force de chassage / Aufpresskraft / Force

Sous réserve de toutes modifications		Änderungen vorbehalten		All modifications reserved	
<b>Aiguillages Zeigerwerkhöhen Hand fitting heights</b>	<b>10½", 11½"</b>		Issued	10 Mär 1999	gd
			Modified	30 Aug 2012 ÅA 11646	dh
			Released	Yes	
			Tolerance	µm	
			Scale	20 : 1 (A3H)	
<b>RONDA</b>	<b>503, 503S, 505, 505S, 513, 513S, 515, 515S</b>		Sous réserve de modifications Änderungen vorbehalten Modifications reserved		
	No.	3316.067			04

\* En cas de données différentes, veuillez contacter le service après-vente \* Bei abweichenden Werten, bitte technischen Kundendienst anfragen \* In case of different values, please contact the customer service



Heures / minutes / secondes  
 Stunden / Minuten / Sekunden  
 Hours / minutes / seconds

Aiguillage no Zeigerwerkhöhe Nr. Hand fitting height No	Dépassement Höhe über Zifferblattauflage Height over dial seat			Longueur Länge Length		Epaisseur max. (peinture comprise) Max. Dicke (inkl. Farbe) Max. thickness (paint included)			
	Pignon des secondes Sekundentrieb Second pinion	Chaussée Minutenrohr Cannon-pinion	Roue des heures Stundenrad Hour wheel	H	B	Cadran Zifferblatt Dial			Aiguilles Zeiger Hands
						Sous l'aiguille des secondes Unter Sekundenzeiger Under second hand	Sous l'aiguille des minutes Unter Minutenzeiger Under minute hand	Sous l'aiguille des heures Unter Stundenzeiger Under hour hand	
	G	E	F	H	B				
1	1.46	1.05	0.75	1.09	1.75	0.95	0.65	0.40	0.15
2	1.81	1.40	1.10	1.44	2.10	1.30	1.00	0.75	0.15

	Aig. des secondes Sekundenzeiger Second hand	Aig. des minutes Minutenzeiger Minute hand	Aig. des heures Stundenzeiger Hour hand	
	503, 505, 513, 515	503S, 505S, 513S, 515S	Alle/Tous/All	Kaliber/Calibre/Caliber
mg max.	10	10	30	30
µNm max.	0.08	0.08	0.70	0.70
gmm <sup>2</sup> max.	0.4	1.0	-	-
N max.	30	30	40	40

Lors de la pose d'aiguilles, le mouvement doit être soutenu.  
 Beim Zeigersetzen muss das Werk abgestützt werden.  
 The movement needs to be supported for hand setting.

Sous réserve de toutes modifications

Aenderungen vorbehalten

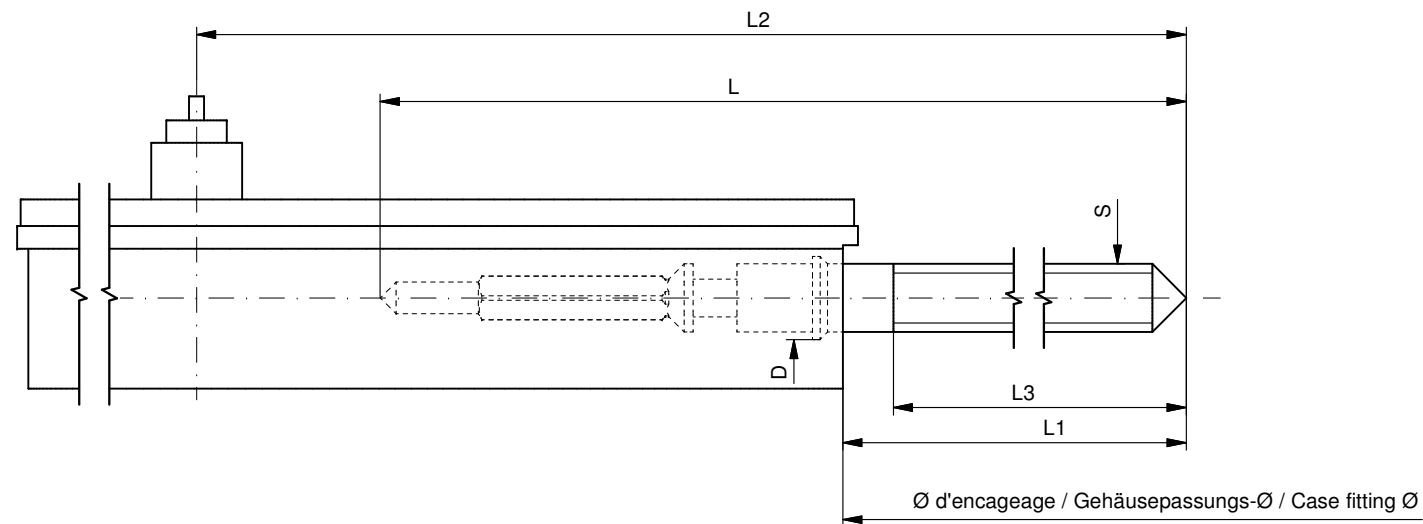
All modifications reserved

<h2>Aiguillages</h2> <h3>Zeigerwerkhöhen</h3> <h3>Hand fitting heights</h3>	Issued	10 Mär 1999	gd
	Modified	06 Dez 2012 ÄA 11646	dh
	Released	Yes	
	Tolerance	µm	
	Scale	20 : 1 (A3H)	
<h1>RONDA</h1>	<h2>503, 503S, 505, 505S, 513, 513S, 515, 515S</h2>		<p>Sous réserve de modifications Aenderungen vorbehalten Modifications reserved</p>
	No.	3316.059	08

\* En cas de données différentes, veuillez contacter le service après-vente

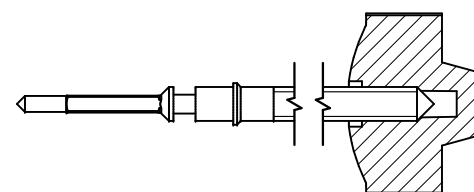
\* Bei abweichenden Werten, bitte technischen Kundendienst anfragen

\* In case of different values, please contact the customer service



Tige de travail (intégrée dans le mouvement)  
 Arbeitstellwelle (im Werk eingebaut)  
 Working stem (implemented in the movement)

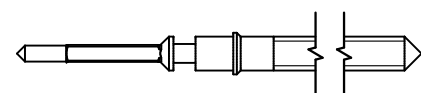
No. d'article Artikelnummer Part number	L	L1	L2	L3	S	D
3000.164.CO	20.50	11.09	22.74	11.83	0.90	1.05



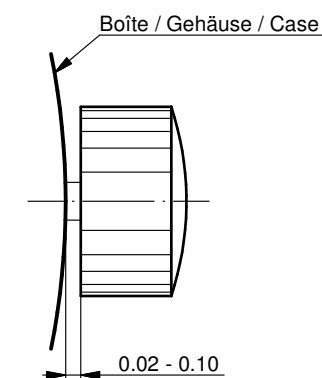
Couleur de la couronne Kronenfarbe Crown color	brun braun brown
Code	UN 8052

Tige (normale) / Stellwelle (normal) / Stem (normal)

No. d'article Artikelnummer Part number	L	L1	L2	L3	S	D
3000.164	20.50	11.09	22.74	11.83	0.90	1.05
3000.171	32.50	24.34	34.74	23.83	0.90	1.05



Couronne normale  
 Normale Krone  
 Normal crown

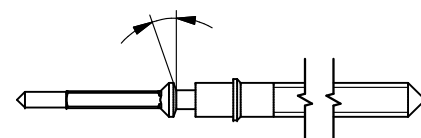


Couronne vissée  
 Geschraubte Krone  
 Screwed crown

Force ⇐ min. Kraft ⇐ min. Force ⇐ min.	10 N
Force ⇐ max. Kraft ⇐ max. Force ⇐ max.	15 N

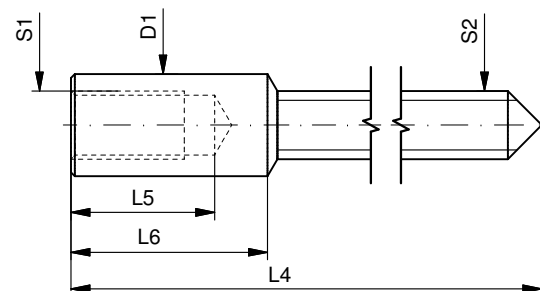
Tige (à arracher)  
 Stellwelle (Ausreissversion)  
 Stem (extractable version)

No. d'article Artikelnummer Part number	L	L1	L2	L3	S	D
3000.163	20.50	12.34	22.74	11.83	0.90	1.05
3000.196	32.50	24.34	34.74	23.83	0.90	1.05



Rallonge de tige / Stellwelle Verlängerung / Stem extension

No. d'article Artikelnummer Part number	L4	L5 (min)	L6	S1	S2	D1
3000.040	12.00	1.90	2.60	0.90	0.90	1.35



Tige (dimensions / forces)  
 Stellwelle (Dimensionen / Kräfte)  
 Stem (dimensions / forces)

RONDA

502, 503, 503S, 505, 505S,  
 505.24H, 505.24D, 507, 509

Issued	05 Jul 2012	ds5212
Modified	17 Mär 2017 ÄA 34582	mg5224
Released	YES	
Tolerance	---	
Scale	10:1 (A3)	

Sous réserve de modifications  
 Änderungen vorbehalten  
 Modifications reserved

No.	5030.001	01
-----	----------	----

# User's Manual English

## Movements Caliber

### RONDA powertech

– 585  
– 505  
– 515

### RONDA slimtech

– 1005  
– 1006  
– 1009  
– 1015  
– 1016  
– 1019

### RONDA normtech

– 774 – 6003.D  
– 775 – 6004.D  
– 704 – 6003.B  
– 705 – 6004.B  
– 784  
– 785  
– 714  
– 715  
– 715Li

### RONDA mastertech

– 7002.B  
– 7003.B  
– 7004.B

You have decided to buy a watch, which was assembled by a watchmaker using a Ronda movement. Please note that no watches are produced or distributed under the Ronda brand.

In case of repairs, guarantee claims and questions concerning the functioning of a watch, purchasers and consumers should contact their retailer or the watch manufacturer, for which the relevant information can be found in the sales or guarantee documentation provided with the watch.

#### Cal. 585 / 785:

Battery type: 362/SR721SW

#### Cal. 774 / 775 / 784:

Battery type: 364/SR621SW

#### Cal. 505 / 515 / 704 / 705 / 714 / 715:

Battery type: 371/SR920SW

#### Cal. 6003.D / 6004.D / 6003.B / 6004.B:

Battery type: 373/SR916SW

#### Cal. 1005 / 1006 / 1009 / 1015 / 1016 / 1019:

Battery type: 341/SR714SW

#### Cal. 7002.B / 7003.B / 7004.B:

Battery type: 381/SR1120SW

#### Cal. 715Li:

Battery type: CR 2016

Precision: +20/-10 seconds per month

Cal. 585

Cal. 6003.D

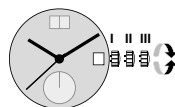
Cal. 505

Cal. 6004.D

Cal. 515

Cal. 6003.B

Cal. 6004.B



**Pos. I Position of rest** (watch running)

**Pos. II Quick-change correction for date**

*The date can also be corrected during the day-changing phase between 10 pm and midnight. The date of the following day has to be set, because no automatic date change takes place at midnight.*

- Pull the crown out to position II (watch still running).
- Turn the crown clockwise until the required date appears.

*Cal. 6003.D & 6004.D:*

- Turn the crown until the required date appears.
- Push the crown back into position I.

**Pos. III Setting the time**

- Pull the crown out to position III (watch stopped).
- Turn the crown, until the current time is displayed (remember the 24-hour cycle).
- Push the crown back into position I.

Cal. 774

Cal. 715Li

Cal. 775

Cal. 704

Cal. 1005

Cal. 705

Cal. 1006

Cal. 784

Cal. 1009

Cal. 785

Cal. 1015

Cal. 714

Cal. 1016

Cal. 715

Cal. 1019



**Pos. I Position of rest** (watch running)

**Pos. II Quick-change correction for date**

*Blocking time for the quick-change day correction is from approx. 9.30 pm and midnight.*

- Pull the crown out to position II (watch still running).
- Turn the crown until the current date appears.
- Push the crown back into position I.

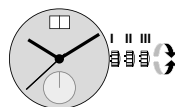
**Pos. III Setting the time**

- Pull the crown out to position III (watch stopped).
- Turn the crown, until the current time is displayed (remember the 24-hour cycle).
- Push the crown back into position I.

Cal. 7002.B

Cal. 7003.B

Cal. 7004.B



**Pos. I Position of rest** (watch running)

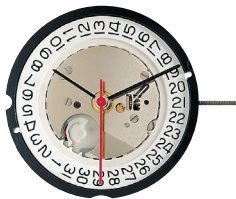
**Pos. II Quick-change correction for date**

*The date can also be changed during the day-changing phase between approx. 8.00 pm and midnight. The date of the following day has to be set, because no automatic date change takes place at midnight.*

- Pull the crown out to position II (watch still running).
- Turn the crown until the current date appears.
- Push the crown back into position I.

**Pos. III Setting the time**

- Pull the crown out to position III (watch stopped).
- Turn the crown, until the current time is displayed (remember the 24-hour cycle).
- Push the crown back into position I.



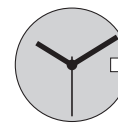
10 1/2<sup>mm</sup>



502



503



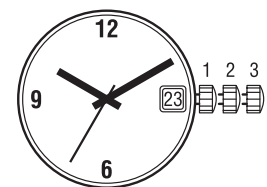
505

**Funktionen**

**Fonctions**

**Functions**

Kaliber	Stellwellenpos.	Funktionen
Calibre	Pos. de tige	Fonctions
Caliber	Stem position	Functions
502, 503	1	Normale Position / Position normale / Running position
	2	Zeiger stellen, Sekunden-Stopp mit Unterbruch der Motorimpulse Mise à l'heure, stop-seconde avec interruption des impulsions moteur Hand setting, stop-second with interruption of motor pulses
505	1	Normale Position / Position normale / Running position
	2	Datumskorrektur / Correction de la date / Date correction
	3	Zeiger stellen, Sekunden-Stopp mit Unterbruch der Motorimpulse Mise à l'heure, stop-seconde avec interruption des impulsions moteur Hand setting, stop-second with interruption of motor pulses



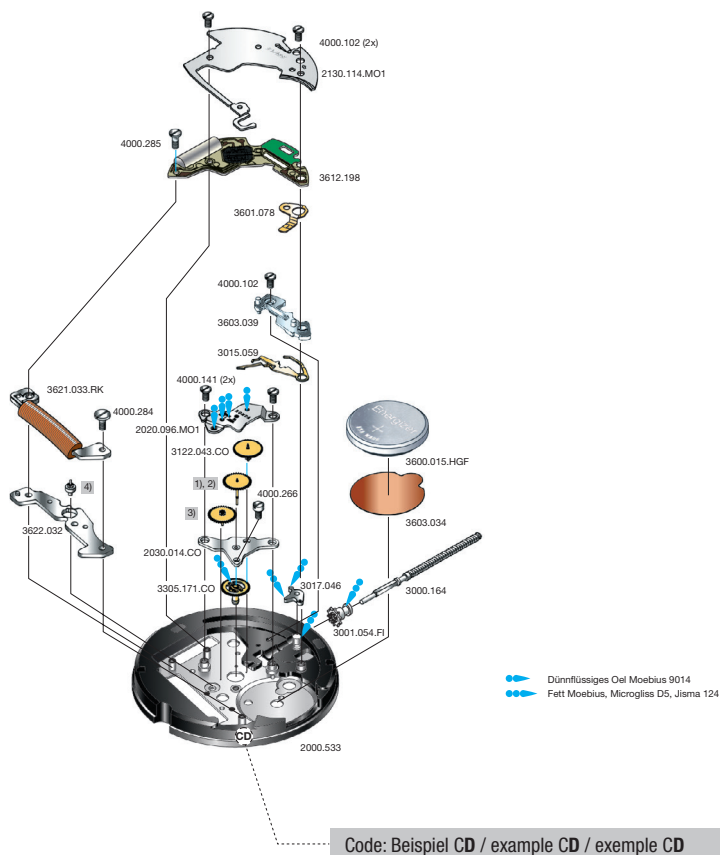
**Batterie**

**Pile**

**Battery**

Kaliber	Batterie	Spannung	Artikelnummer RONDA
Calibre	Pile	Voltage	Numero d'article RONDA
Caliber	Battery	Tension	Part number RONDA
502, 503, 505	371 / SR920SW	1.55 V	3600.015.HGF

10 1/2''' 502, 503, 505



Cal. 503	Werkseite / Côté mouvement / Movement side		
Plan No.	Bestandteile	Fournitures	Spare Parts
2000.533	Werkplatte	Platine	Main plate
2020.096.MO1	Räderwerkbrücke	Pont rouge	Train w. bridge
2030.014.CO	Zentrumbrücke	Pont centre	Centre bridge
2130.114.MO1	Modul-Abdeckp.	Couvre module	Module cover pl.
3000.164	Stellwelle	Tige	Stem
3001.054.FI	Kupplungstrieb	Pignon coulant	Sliding pinion
3015.059	Kuppl.-triebhebel	Bascule	Yoke
3017.046	Winkelhebel	Tirette	Setting lever
3122.043.CO	Kleinbodenrad	Roue moyenne	Third wheel
1)	Sekundenrad	Roue secondes	Second-wheel
3)	Zwischenrad	Roue interméd.	Intermed. wheel
3305.171.CO	Minutenrohr	Chaussée	Cannon pinion
3600.015.HGF	Batterie	Pile	Battery
3601.078	Batterie-Kontakt	Bride contact	Battery contact
3603.034	Batterie-Isolation	Isolateur pile	Battery insulation
3603.039	Deckplatte/ Ste.	Couvre mécan.	Setting lev. cover
3612.198	Modul	Module	Module
3621.033.RK	Spule	Bobine	Coil
3622.032	Stator	Stator	Stator
4)	Rotor	Rotor	Rotor
4000.102	Schraube	Vis	Screw
4000.141	Schraube	Vis	Screw
4000.266	Schraube	Vis	Screw
4000.284	Schraube	Vis	Screw
4000.285	Schraube	Vis	Screw

**Abweichungen / Divergences / Deviations**

Cal. 505	Werkseite / Côté mouvement / Movement side		
Plan No.	Bestandteile	Fournitures	Spare Parts
3015.060	Kuppl.-triebhebel	Bascule	Yoke

Cal. 502	Werkseite / Côté mouvement / Movement side		
Plan No.	Bestandteile	Fournitures	Spare Parts
2030.012.CO	Zentrumbrücke	Pont centre	Centre bridge
2)	Sekundenrad	Roue secondes	Second-wheel
3)	Zwischenrad	Roue interméd.	Intermed. wheel
3305.210.CO	Minutenrohr	Chaussée	Cannon pinion
4)	Rotor	Rotor	Rotor

Cal. 503, 505		
	Bis Dezember 2015 Jusqu' en Decembre 2015 Untill December 2015	Ab Januar 2016 A partir de Janvier 2016 From January 2016
Code	2. Buchstabe ... <b>D</b> Second letter ... <b>D</b> 2 <sup>ème</sup> chiffre: ... <b>D</b>	2. Buchstabe: ab <b>E</b> Second letter: from <b>E</b> 2 <sup>ème</sup> chiffre: à partir de <b>E</b>
1)	3136.090.CO	3136.194.CO
3)	3147.019.CO	3147.092.CO
4)	3715.089.RK	3715.144.RK

Die obigen 3 Teile bilden jeweils eine Gruppe. Deshalb sind die 3 Teile jeder Gruppe nicht einzeln gegeneinander austauschbar.

Les 3 fournitures ci-dessous forment un groupe individuel. C'est pourquoi les 3 fournitures de chaque groupe ne sont pas interchangeables.

The 3 parts mentioned above are forming an individual group. Therefore the 3 parts of each group are not interchangeable.

Cal. 502		
	Bis Dezember 2015 Jusqu' en Decembre 2015 Untill December 2015	Ab Januar 2016 A partir de Janvier 2016 From January 2016
Code	2. Buchstabe ... <b>D</b> Second letter ... <b>D</b> 2 <sup>ème</sup> chiffre: ... <b>D</b>	2. Buchstabe: ab <b>E</b> Second letter: from <b>E</b> 2 <sup>ème</sup> chiffre: à partir de <b>E</b>
2)	3136.093.CO	3136.196.CO
3)	3147.019.CO	3147.092.CO
4)	3715.089.RK	3715.144.RK

Die obigen 3 Teile bilden jeweils eine Gruppe. Deshalb sind die 3 Teile jeder Gruppe nicht einzeln gegeneinander austauschbar.

Les 3 fournitures ci-dessous forment un groupe individuel. C'est pourquoi les 3 fournitures de chaque groupe ne sont pas interchangeables.

The 3 parts mentioned above are forming an individual group. Therefore the 3 parts of each group are not interchangeable.



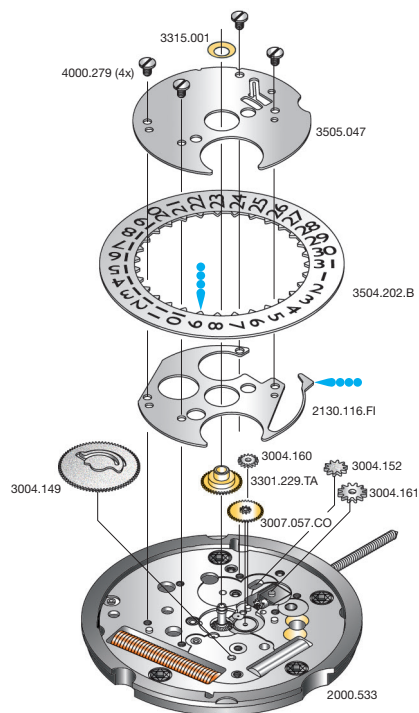
# Werkaufbau

# Assemblage

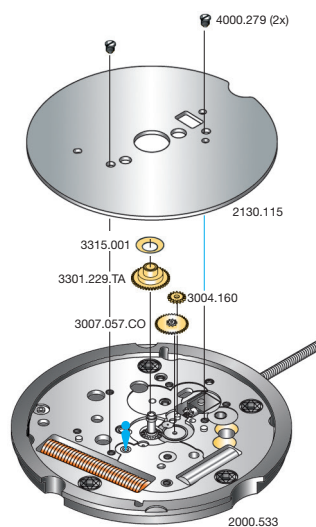
# Assembling

10 1/2''' 505

10 1/2''' 502, 503



●●●●● Fett Moebius, Microgliss 14



● Düninflüssiges Oel Moebius 9014

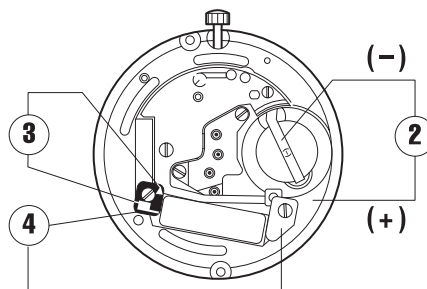
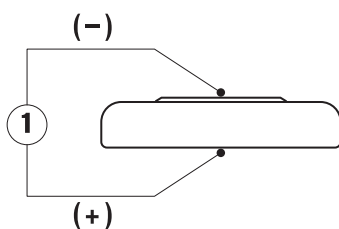
Cal. 505	Zifferblattseite / Côté cadran / Dial side		
Plan No.	Bestandteile	Fournitures	Spare Parts
2130.116.FI	Kalenderplatte	Plaque calendrier	Date ind. plate
3004.149	Datummitn.-rad	Renvoi entraîin.	Ind. driving wheel
3004.152	Umkehrad	Baladeur	Sliding gear
3004.160	Zeigerstellrad	Renvoi minuterie	Setting wheel
3004.161	Verbindungsrad- Kupplungtrieb	Renvoi pig. coulant	Sliding pinon setting wheel
3007.057.CO	Wechselrad	Minuterie	Minute wheel
3301.229.TA	Stundenrad	Canon	Hour wheel
3315.001	Spreizfeder	Clinquant	Washer
3504.202.B	Datumanzeiger	Bague	Date indicator
3505.047	Kal.-Abdeckplatte	Couvercle calend.	Date ind. cover
4000.279	Schraube	Vis	Screw

Cal. 502, 503	Zifferblattseite / Côté cadran / Dial side		
Plan No.	Bestandteile	Fournitures	Spare Parts
2130.115	Zeigerwerkplatte	Plaque maintien	Maintening plate
3004.160	Zeigerstellrad	Renvoi minuterie	Setting wheel
3007.057.CO	Wechselrad	Minuterie	Minute wheel
3301.229.TA	Stundenrad	Canon	Hour wheel
3315.001	Spreizfeder	Clinquant	Washer
4000.279	Schraube	Vis	Screw

## Elektr. Messungen

## Contrôles électriques

## Electrical checking



Kaliber Calibre Caliber	Pos. Pos. Pos.	Einheit Unité Unit	Messwerte Valeurs mesurées Measured values	Kontrolle Contrôle Check	Bemerkungen Remarques Remarks
502, 503, 505	1	V	1,55	Batterie-Spannung Tension de la pile Battery voltage	Batterie herausnehmen und messen Enlever et mesurer la pile Remove battery for measuring
502, 503, 505	2	µA	1,10–1,85 2,20–2,65	Stromaufnahme Consom. de courant Power consumption	Ohne Batterie, mit externer Speisung Sans pile, avec alimentation externe Without battery, with external power supply
502, 503, 505	2	V	≤ 1,30	Funktionskontrolle bei Minimalspannung Contrôle de fonctionnement à tension minimale Check with lowest possible voltage	Ohne Batterie, mit externer Speisung Sans pile, avec alimentation externe Without battery, with external power supply
502, 503, 505	3	KΩ	1,90–2,10 2,35–2,55	Spulenwiderstand Résistance de la bobine Resistance of the coil	Ohne Batterie Sans pile Without battery
502, 503, 505	4	KΩ	∞	Spulenisolation Isolation de la bobine Coil insulation	Ohne Batterie Sans pile Without battery
502, 503, 505		Sek./Monat sec./mois sec./month	- 10/+ 20	Induktivsonde 60 Sek. Senseur inductif 60 sec. Inductive sensor 60 sec.	Mit Batterie Avec pile With battery

## Einschalen / Werkzeuge

## Emboîtage / outils

## Casing / tools

Nr. H 50x.1A



Nr. H 50x.1T



SWISS MADE & SWISS PARTS	
Schraube Vis Screw	

### Zeigersetzen

Maximale Aufpresskraft:

- Stunden und Minutenzeiger: max. 40N
- Sekundenzeiger: max. 30N

Beim Zeigersetzen muss das Werk abgestützt werden.

### Poser les aiguilles

Force de chassage maximale:

- Aiguilles des heure et des minutes: max. 40N
- Aiguille des secondes: max. 30N

Lors de la pose d'aiguilles, le mouvement doit être soutenu.

### Hand setting

Maximal force:

- Hour and minute hands: max. 40N
- Second hand: max. 30N

The movement needs to be supported for hand setting.

<b>Kal. 502, 503 Stellwelle entfernen</b>	<b>Kal. 505 Stellwelle entfernen</b>
Beim Entfernen der Stellwelle muss sich die Stellwelle in <b>Position 1</b> (gedrückt) befinden, bevor auf den Winkelhebel gedrückt wird.	Beim Entfernen der Stellwelle muss sich die Stellwelle in <b>Position 2</b> befinden, bevor auf den Winkelhebel gedrückt wird.
<b>Kal. 502, 503 Enlever la tige</b>	<b>Kal. 505 Enlever la tige</b>
En enlevant la tige, la tige doit se trouver en <b>position 1</b> (poussée), avant de pousser sur la tirette.	En enlevant la tige, la tige doit se trouver en <b>position 2</b> , avant de pousser sur la tirette.
<b>Kal. 502, 503 Stem removal</b>	<b>Kal. 505 Stem removal</b>
For removal of the stem, the stem must be in <b>position 1</b> (pressed in) prior to apply pressure to the setting lever.	For removal of the stem, the stem must be in <b>position 2</b> prior to apply pressure to the setting lever.