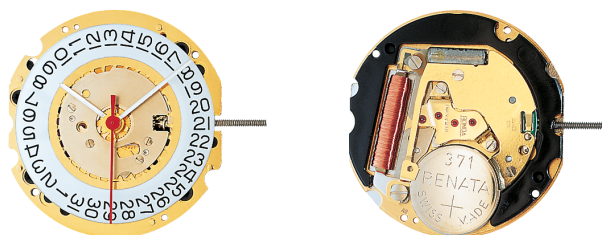


# RONDA normtech 700 & 6000

Long battery-life and special functionality

*Caliber 705 – 10½'''*



## Product Specifications

Analog quartz movement

Line normtech

Caliber 705

Size 10½'''

Version Swiss Made 5 Jewels / gold plated  
Swiss Parts 1 Jewels / nickel plated

Standard battery life 60 months

Hand fitting height 1

## Features

- Repairable metal watch movement
- Very long battery life
- Power saving mechanism with pulled out stem: Reduction of consumption approximately 70%
- Movement available as 2 or 3 hands version

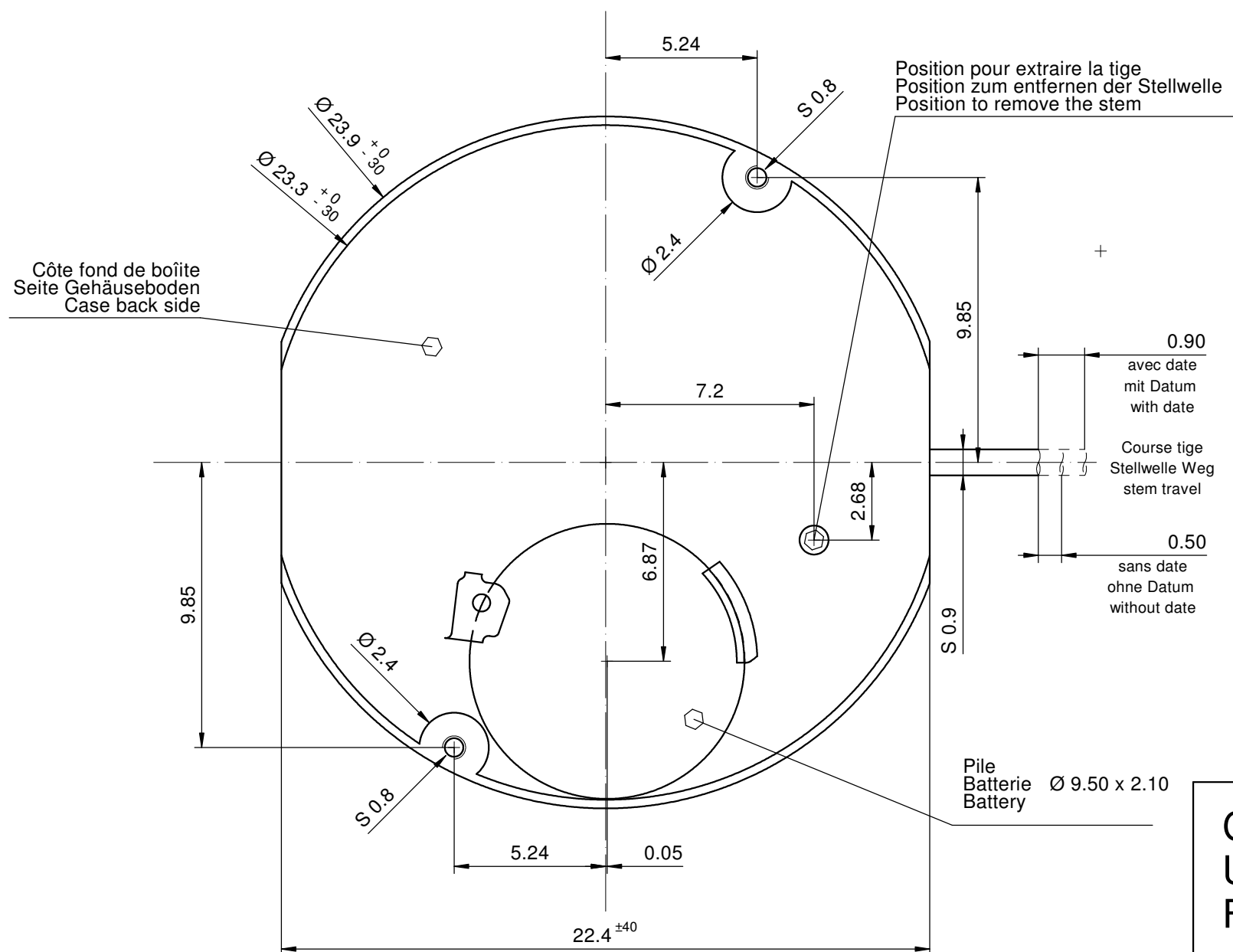
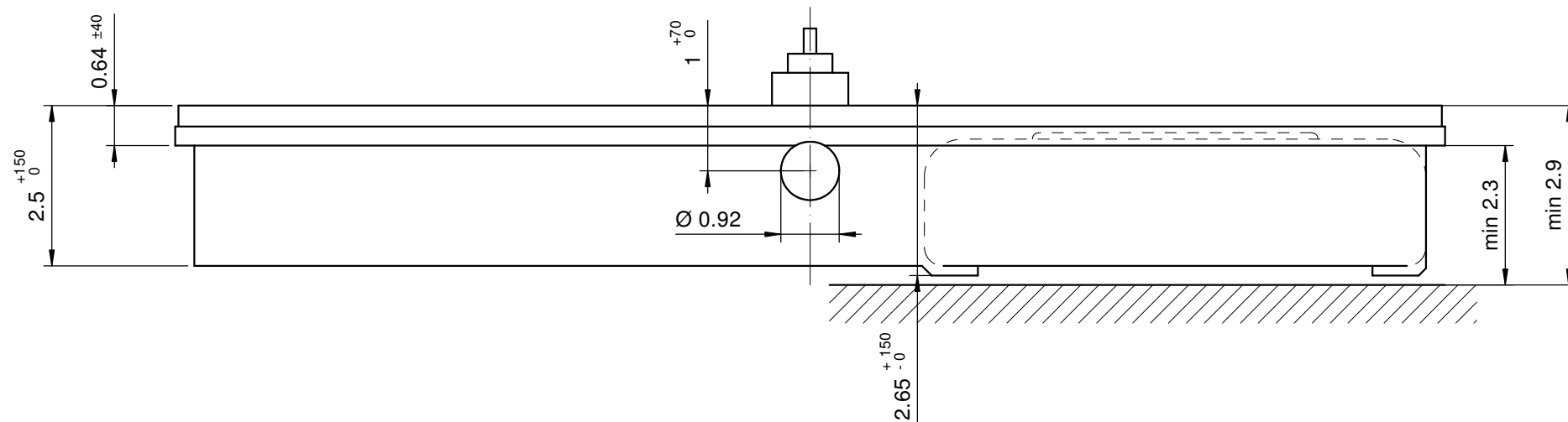
**Functions**

- Date
- 3 hands

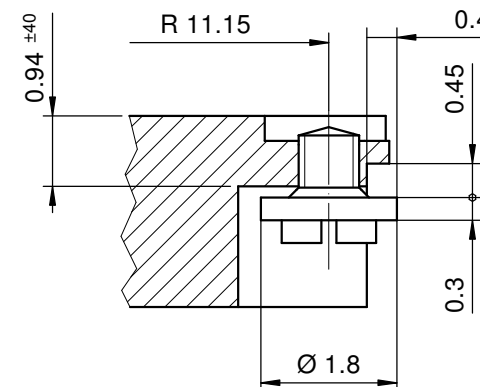
**Technical Specifications**

Diameter Total	23.90 mm
Case fitting	23.30 mm
Movement height	2.50 mm
Height over standard battery	2.75 mm
Movement rest	0.30 mm
Height over stem	1.00 mm
Length of stem travel	0.90 mm
Force to push the stem for screwed crown	N
Stem thread	0.90 mm
Standard battery	371
Standard battery life	60 months
Battery voltage	1.5 V
Current consumption – typical	0.96 µA (Date Mechanism not in Gear)
Current consumption – maximum	1.35 µA (Date Mechanism not in Gear)
Useful torque second – typical	8 µNm
Useful torque minute – typical	400 µNm
Operating temperature	0 - 50 °C
Instantaneous rate	-10/ +20 sec/month
Resistance to magnetic fields	18.8 Oe
Resistance against shock	NIHS 91-10

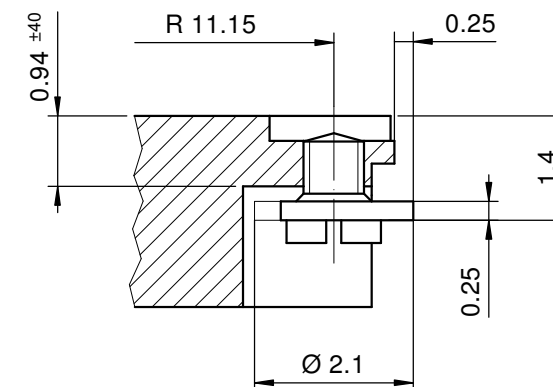




Vis No.  
Schraube Nr.: 4000.236  
Screw No.



Vis No.  
Schraube Nr.: 4000.237  
Screw No.



Sécurité entre aiguille seconde et verre : min 0.30 mm  
Sicherheit zwischen Sekundenzeiger und Glas : min 0.30 mm  
Security between second hand and glass : min 0.30 mm

Le cadran doit être maintenu en hauteur par la boîte.  
Das Zifferblatt muss in der Höhe vom Gehäuse festgehalten werden.  
The dial must be held in the height by the case.

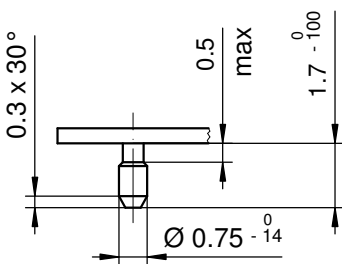
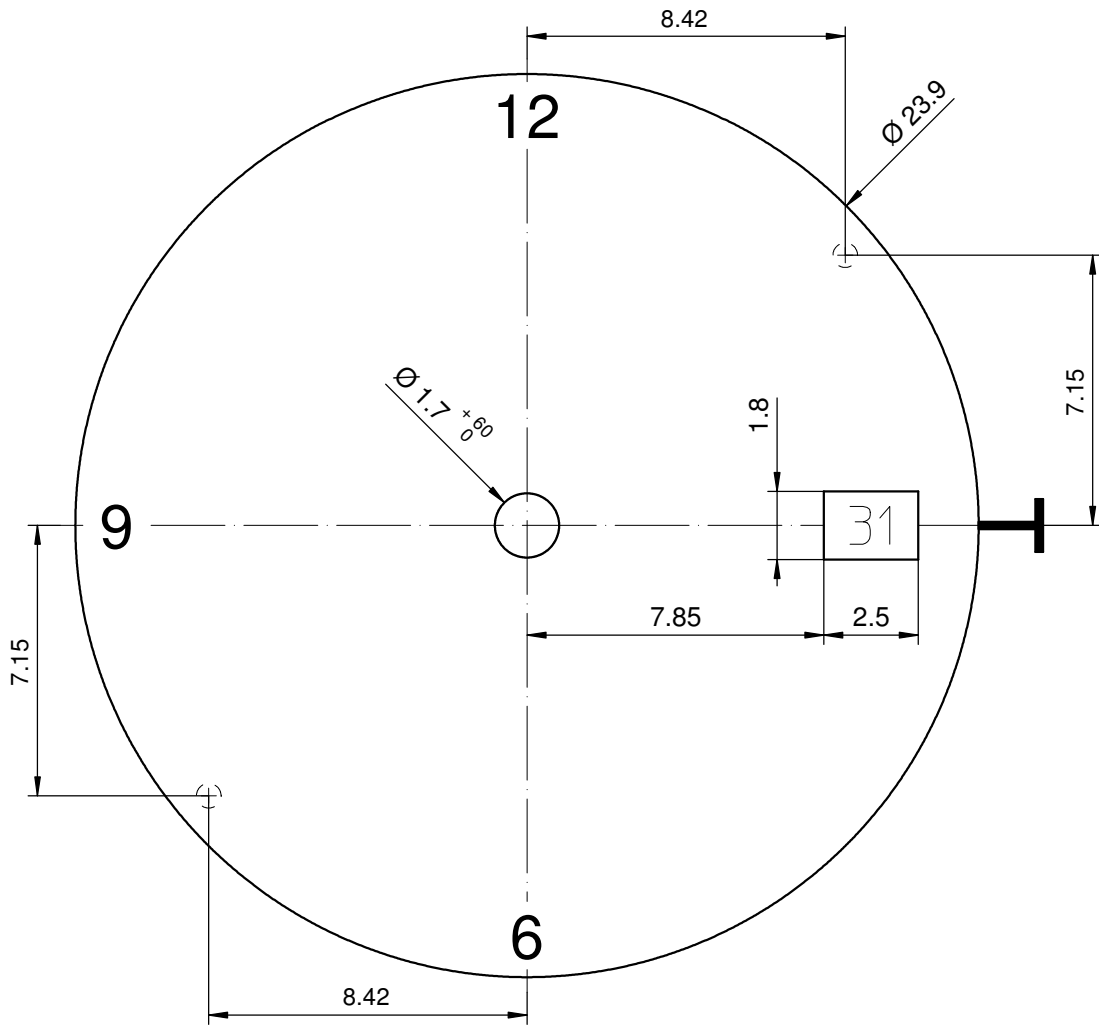
### Cage Uhrwerkgestell 10½" Frame

RONDA 702, 703, 704, 705

Issued	19.05.2000	cw
Modified	01.11.2017	dh5221
Released	YES	
Mod. No.	37361	
Tolerance	±20 µm	
Scale	10 : 1	Page 1/1 A3

Sous réserve de modifications  
Aenderungen vorbehalten  
Modifications reserved

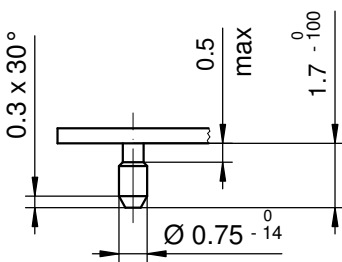
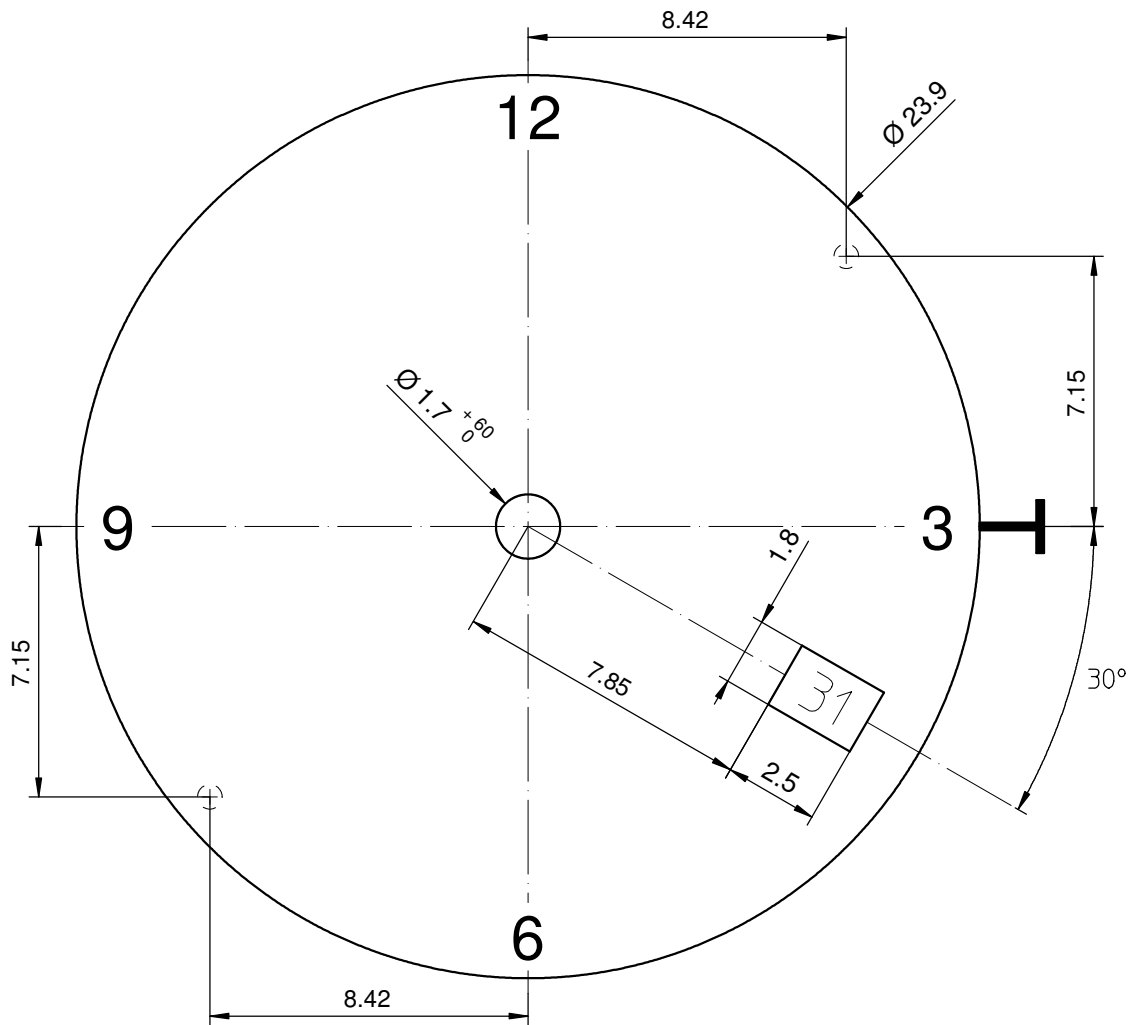
No.	5000.231	12
-----	----------	----



Epaisseur du cadran selon hauteur de l'aiguillage  
 Zifferblattdicke gemäss Zeigerwerkhöhen  
 Dial thickness according to hand fitting heights

Tige	Date
Stellw.	Datum
Stem	Date
<b>3H</b>	<b>3H</b>

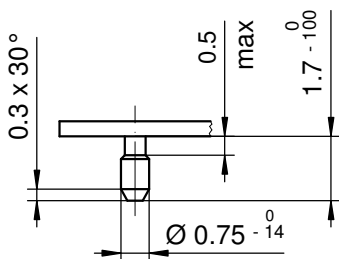
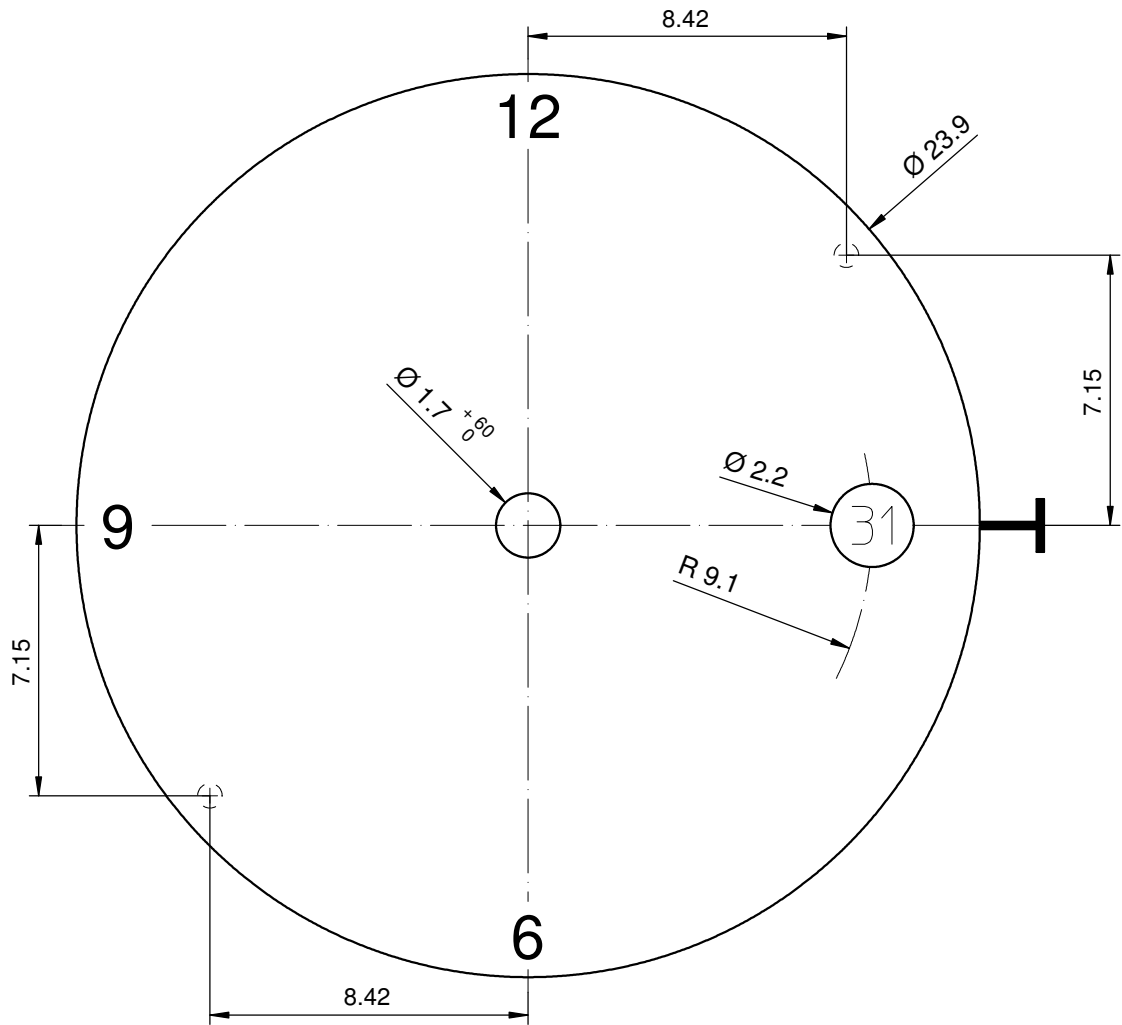
<b>Cadran</b> <b>Zifferblatt</b> <b>Dial</b>	<b>10½"</b>	Issued	14 Dez 2006	cw
		Modified	20 Aug 2012 ÄA 12806	mc
		Released	YES	
		Tolerance	+/- 20 µm	
		Scale	5 : 1 (A4V)	
<b>RONDA</b>	<b>505, 505S, 704, 705, 705Li</b>	Sous réserve de modifications Aenderungenvorbehalten Modificationsreserved		
		No.	5010.360	07



Epaisseur du cadran selon hauteur de l'aiguillage  
 Zifferblattdicke gemäss Zeigerwerkhöhen  
 Dial thickness according to hand fitting heights

Tige	Date
Stellw.	Datum
Stem	Date
<b>3H</b>	<b>4H</b>
	<input type="checkbox"/>

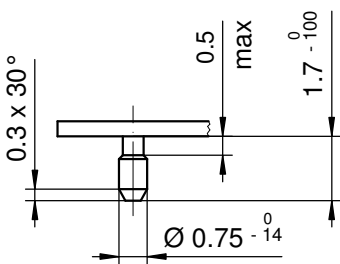
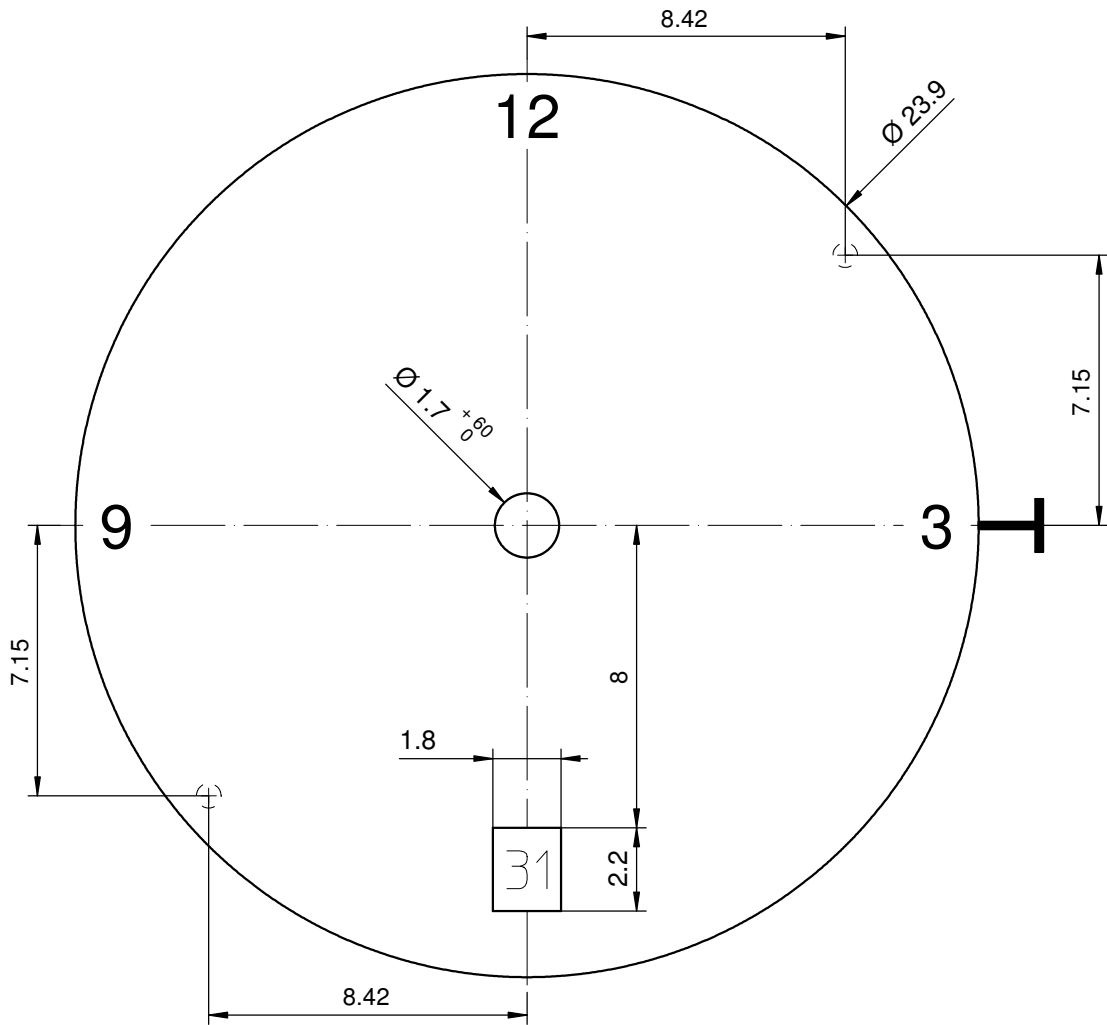
<b>Cadran</b> <b>Zifferblatt</b> <b>Dial</b>	<b>10½"</b>	Issued	05 Jun 2007	cm
		Modified	20 Aug 2012 ÄA 12806	mc
		Released	YES	
		Tolerance	+/- 20 µm	
		Scale	5 : 1 (A4V)	
<b>RONDA</b>	<b>505, 505S, 704, 705, 705Li</b>	Sous réserve de modifications Aenderungenvorbehalten Modificationsreserved		
		No.	5010.376	02



Epaisseur du cadran selon hauteur de l'aiguillage  
 Zifferblattdicke gemäss Zeigerwerkhöhen  
 Dial thickness according to hand fitting heights

Tige	Date
Stellw.	Datum
Stem	Date
<b>3H</b>	<b>3H</b>

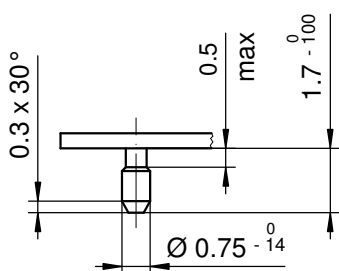
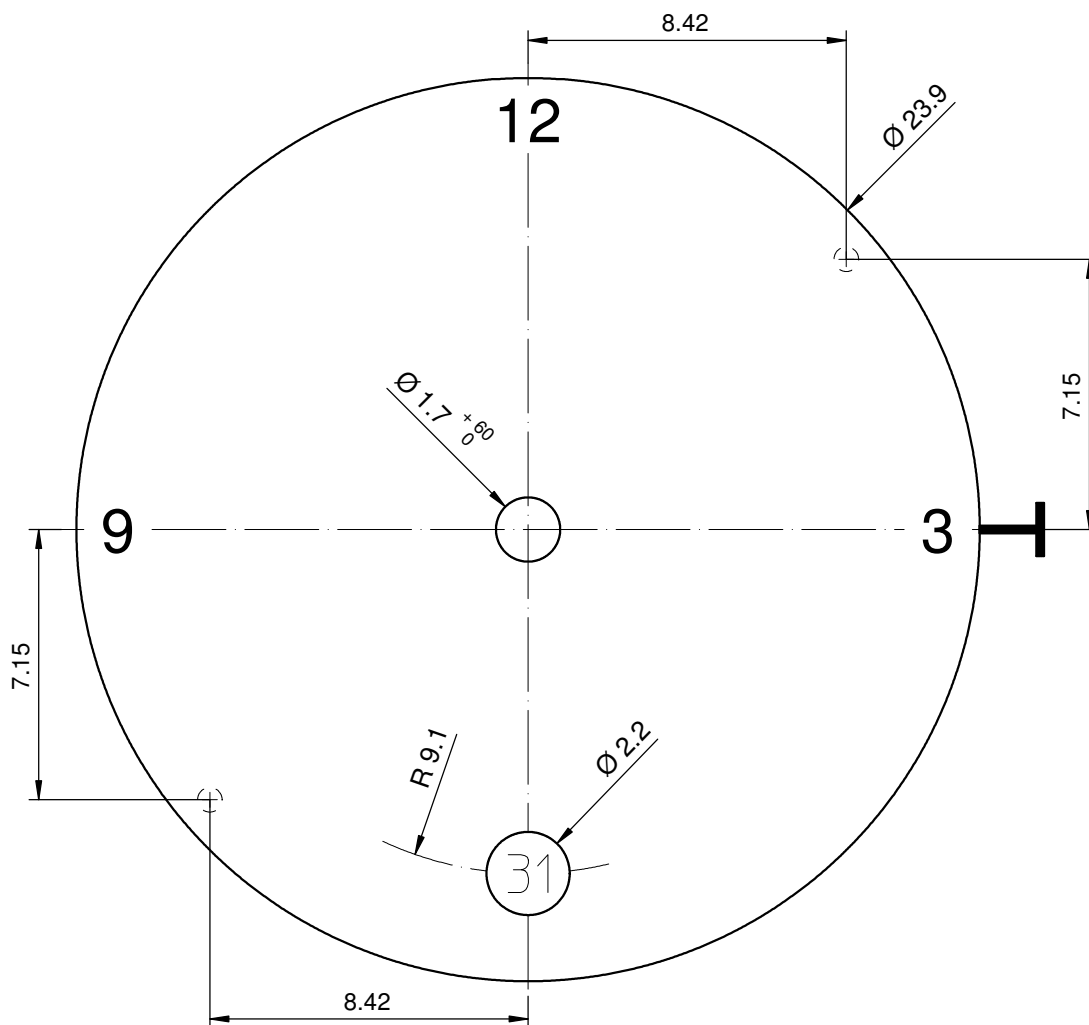
<b>Cadran</b> <b>Zifferblatt</b> <b>Dial</b>	<b>10½"</b>	Issued	14 Dez 2006	cw
		Modified	20 Aug 2012 ÄA 12806	mc
		Released	YES	
		Tolerance	+/- 20 µm	
		Scale	5 : 1 (A4V)	
<b>RONDA</b>	<b>505, 505S, 704, 705, 705Li</b>	Sous réserve de modifications Aenderungenvorbehalten Modificationsreserved		
		No.	5010.422	07



Epaisseur du cadran selon hauteur de l'aiguillage  
 Zifferblattdicke gemäss Zeigerwerkhöhen  
 Dial thickness according to hand fitting heights

Tige	Date
Stellw.	Datum
Stem	Date
<b>3H</b>	<b>6H</b>

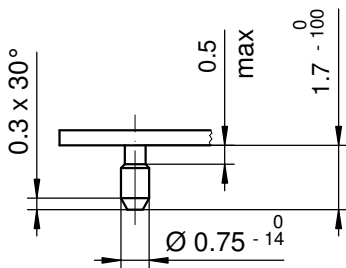
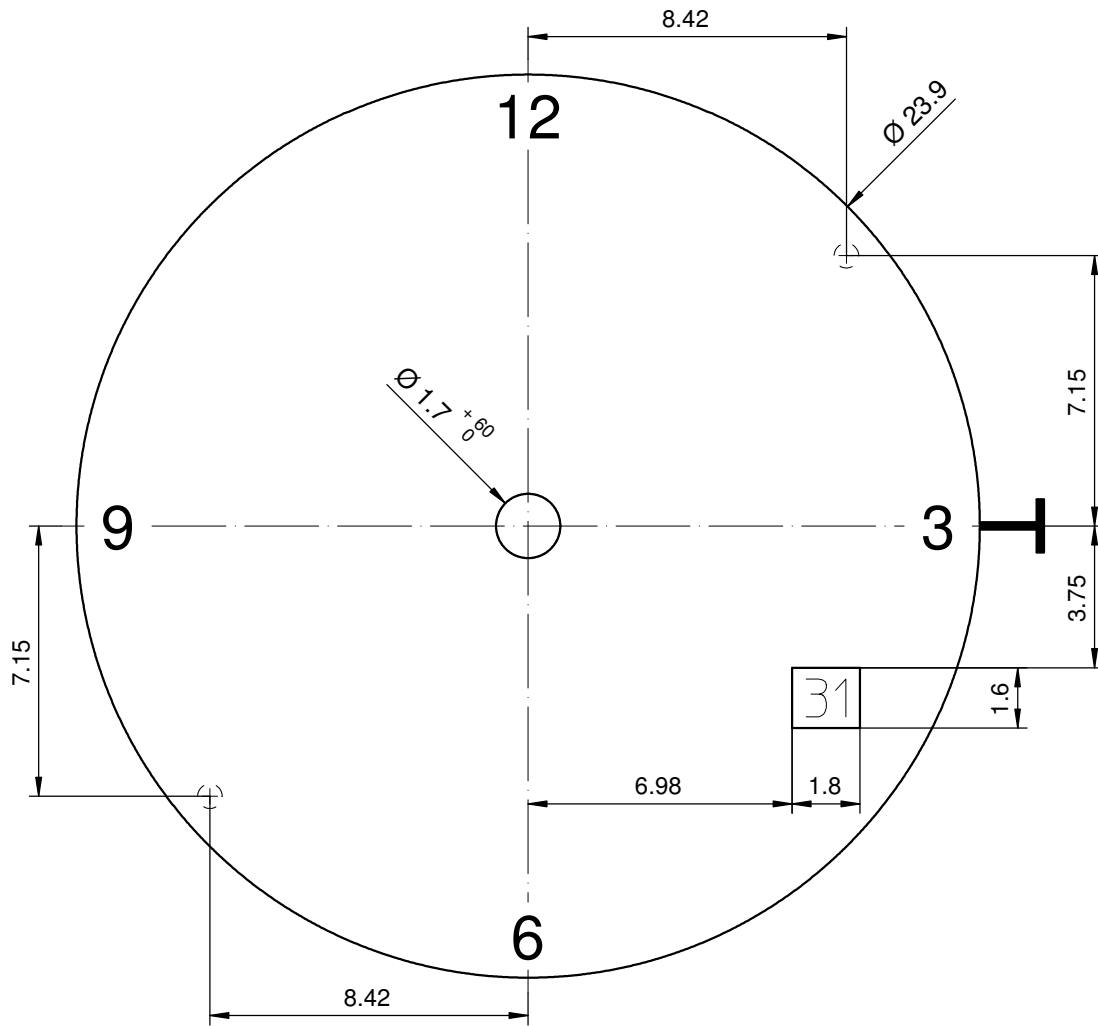
<b>Cadran</b> <b>Zifferblatt</b> <b>Dial</b>	<b>10½"</b>	Issued	13 Dez 2006	rh
		Modified	20 Aug 2012 ÄA 12806	mc
		Released	YES	
		Tolerance	+/- 20 µm	
		Scale	5 : 1 (A4V)	
<b>RONDA</b>	<b>505, 505S, 704, 705, 705Li</b>	Sous réserve de modifications Aenderungenvorbehalten Modificationsreserved		
		No.	5010.423	06



Tige	Date
Stellw.	Datum
Stem	Date
<b>3H</b>	<b>6H</b>
	○

Epaisseur du cadran selon hauteur de l'aiguillage  
 Zifferblattdicke gemäss Zeigerwerkhöhen  
 Dial thickness according to hand fitting heights

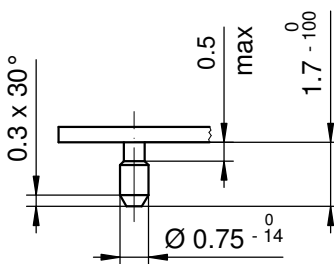
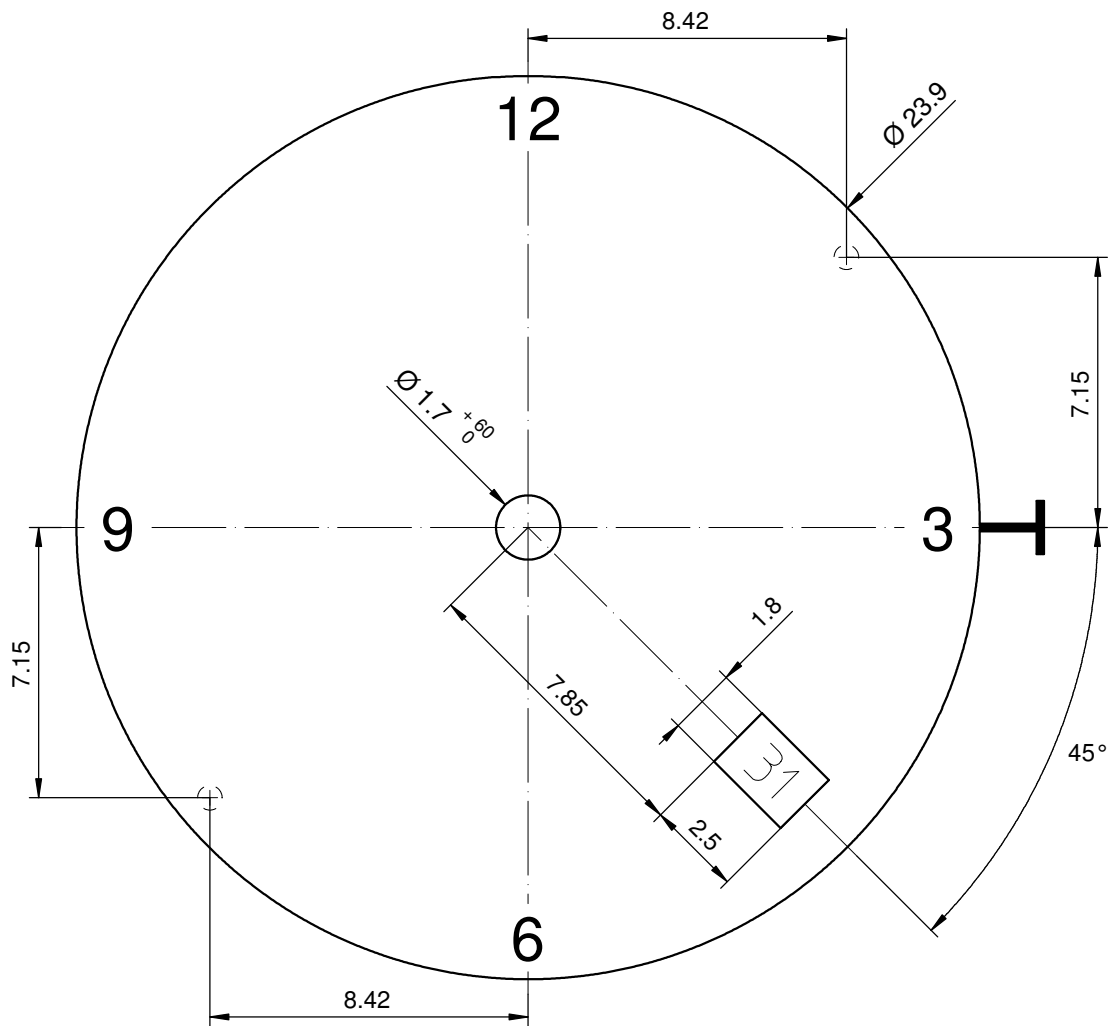
<b>Cadran</b> <b>Zifferblatt</b> <b>Dial</b>	<b>10½"</b>	Issued	14 Dez 2006	cw
		Modified	20 Aug 2012 ÄA 12806	mc
		Released	YES	
		Tolerance	+/- 20 µm	
		Scale	5 : 1 (A4V)	
<b>RONDA</b>	<b>505, 505S, 704, 705, 705Li</b>	Sous réserve de modifications Aenderungenvorbehalten Modificationsreserved		
		No.	5010.426	06



Epaisseur du cadran selon hauteur de l'aiguillage  
 Zifferblattdicke gemäss Zeigerwerkhöhen  
 Dial thickness according to hand fitting heights

Tige	Date
Stellw.	Datum
Stem	Date
<b>3H</b>	<b>4H</b>
	<input type="checkbox"/>

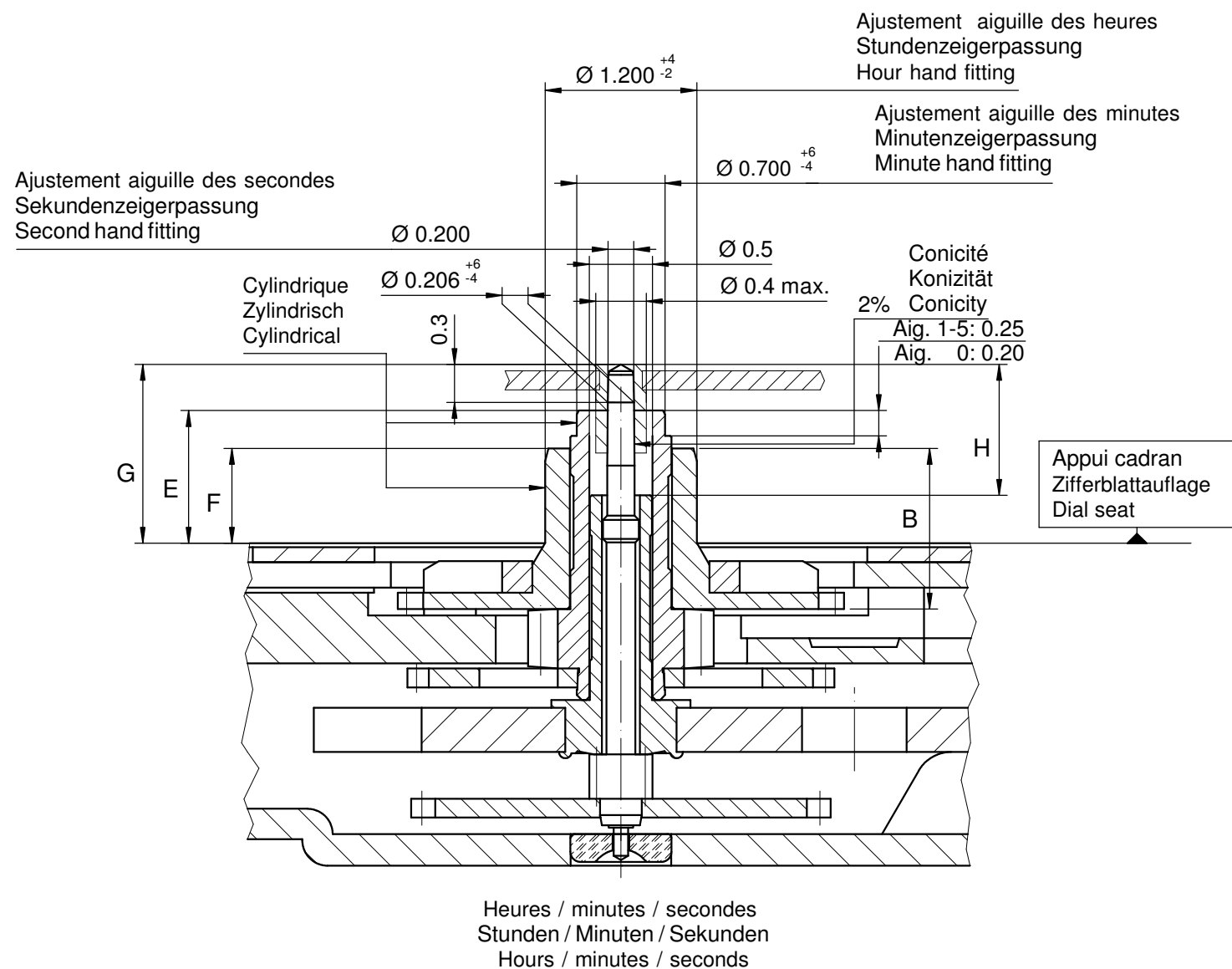
<b>Cadran</b> <b>Zifferblatt</b> <b>Dial</b>	<b>10½"</b>	Issued	14 Dez 2006	cw
		Modified	20 Aug 2012 ÄA 12806	mc
		Released	YES	
		Tolerance	+/- 20 µm	
		Scale	5 : 1 (A4V)	
<b>RONDA</b>	<b>505, 505S, 704, 705, 705Li</b>	Sous réserve de modifications Aenderungenvorbehalten Modificationsreserved		
		No.	5010.578	03



Epaisseur du cadran selon hauteur de l'aiguillage  
 Zifferblattdicke gemäss Zeigerwerkhöhen  
 Dial thickness according to hand fitting heights

Tige	Date
Stellw.	Datum
Stem	Date
3H	4½H

<b>Cadran</b> <b>Zifferblatt</b> <b>Dial</b>	<b>10½"</b>	Issued	14 Dez 2006	cw
		Modified	20 Aug 2012 ÄA 12806	mc
		Released	YES	
		Tolerance	+/- 20 µm	
		Scale	5 : 1 (A4V)	
<b>RONDA</b>	<b>505, 505S, 704, 705, 705Li</b>	Sous réserve de modifications Aenderungenvorbehalten Modificationsreserved		
		No.	5010.583	03



Aiguillage no Zeigerwerkhöhe Nr. Hand fitting height No	Dépassement Höhe über Zifferblattauflage Height over dial seat			Longueur Länge Length		Epaisseur max. (peinture comprise) Max. Dicke (inkl. Farbe) Max. thickness (paint included)			
	Pignon des secondes Sekundentrieb Second pinion	Chaussée Minutenrohr Cannon-pinion	Roue des heures Stundenrad Hour wheel			Cadran Zifferblatt Dial			Aiguilles Zeiger Hands
	G	E	F	H	B	Sous l'aiguille des secondes Unter Sekundenzeiger Under second hand	Sous l'aiguille des minutes Unter Minutenzeiger Under minute hand	Sous l'aiguille des heures Unter Stundenzeiger Under hour hand	
0	1.17	0.85	0.60	0.79	1.12	0.65	0.45	0.30	0.15
1	1.42	1.05	0.75	1.04	1.27	0.90	0.65	0.40	0.15
2	1.62	1.25	0.95	1.24	1.47	1.10	0.85	0.60	0.15
3	1.94	1.53	1.23	1.09	1.75	1.40	1.10	0.90	0.15
4	2.29	1.88	1.58	1.44	2.10	1.75	1.45	1.25	0.15
5	3.95	3.55	3.24	1.59	3.76	3.45	3.15	2.90	0.15

		Aig. des secondes Sekundenzeiger Second hand	Aig. des minutes Minutenzeiger Minute hand	Aig. des heures Stundenzeiger Hour hand	Lors de la pose d'aiguilles, le mouvement doit être soutenu. Beim Zeigersetzen muss das Werk abgestützt werden. The movement needs to be supported for hand setting.
		775, 785	705, 715, 715Li	Alle/Tous/All	Kaliber/Calibre/Caliber
mg	max.	10	10	30	30
µNm	max.	0.05	0.05	0.70	0.70
gmm <sup>2</sup>	max.	0.2	0.4	-	-
N	max.	30	30	40	40
					Masse / Masse / Weight *
					Balourd / Unwucht / Unbalance *
					Inertie / Massenträgheit / Inertia *
					Force de chassage / Aufpresskraft / Force

Sous réserve de toutes modifications

Aenderungen vorbehalten

All modifications reserved

Aiguillages  
Zeigerwerkhöhen  
Hand fitting heights

7<sup>3</sup>/<sub>4</sub>" , 8<sup>3</sup>/<sub>4</sub>"  
10<sup>1</sup>/<sub>2</sub>" , 11<sup>1</sup>/<sub>2</sub>"

Issued	09 Aug 1990	rh
Modified	07 Feb 2012 ÄA 12073	ds
Released	Yes	
Tolerance	µm	
Scale	20 : 1 (A3H)	

RONDA

775, 785, 705, 715,  
715Li

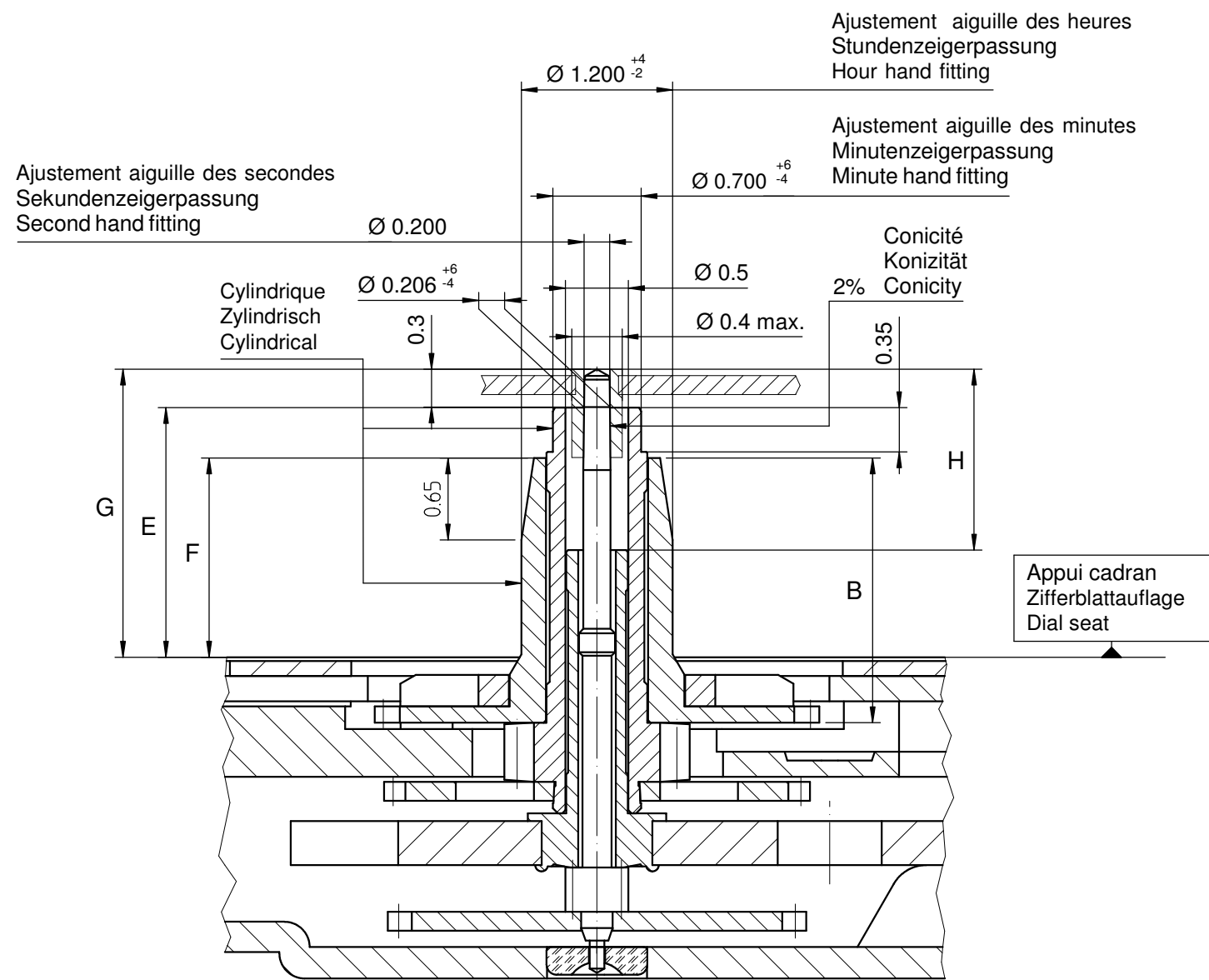
Sous réserve de modifications  
Aenderungen vorbehalten  
Modifications reserved

No.	3316.030	14
-----	----------	----

\* En cas de données différentes, veuillez contacter le service après-vente

\* Bei abweichenden Werten, bitte technischen Kundendienst anfragen

\* In case of different values, please contact the customer service



Heures / minutes / secondes  
 Stunden / Minuten / Sekunden  
 Hours / minutes / seconds

Aiguillage no Zeigerwerkhöhe Nr. Hand fitting height No	Dépassement Höhe über Zifferblattauflage Height over dial seat			Longueur Länge Length		Epaisseur max. (peinture comprise) Max. Dicke (inkl. Farbe) Max. thickness (paint included)			
	Pignon des secondes Sekundentrieb Second pinion	Chaussée Minutenrohr Cannon-pinion	Roue des heures Stundenrad Hour wheel			Cadran Zifferblatt Dial			Aiguilles Zeiger Hands
	G	E	F	H	B	Sous l'aiguille des secondes Unter Sekundenzeiger Under second hand	Sous l'aiguille des minutes Unter Minutenzeiger Under minute hand	Sous l'aiguille des heures Unter Stundenzeiger Under hour hand	
6	2.29	1.98	1.58	1.44	2.10	1.75	1.55	0.40	0.15
-									

		Aig. des secondes Sekundenzeiger Second hand	Aig. des minutes Minutenzeiger Minute hand	Aig. des heures Stundenzeiger Hour hand	Lors de la pose d'aiguilles, le mouvement doit être soutenu. Beim Zeigersetzen muss das Werk abgestützt werden. The movement needs to be supported for hand setting.
		775, 785	705, 715, 715Li	Alle/Tous/All	Kaliber/Calibre/Caliber
mg	max.	10	10	30	30
µNm	max.	0.05	0.05	0.70	0.70
gmm <sup>2</sup>	max.	0.2	0.4	-	-
N	max.	30	30	40	40
				Masse / Masse / Weight *	
				Balourd / Unwucht / Unbalance *	
				Inertie / Massenträgheit / Inertia *	
				Force de chassage / Aufpresskraft / Force	

Sous réserve de toutes modifications

Aenderungen vorbehalten

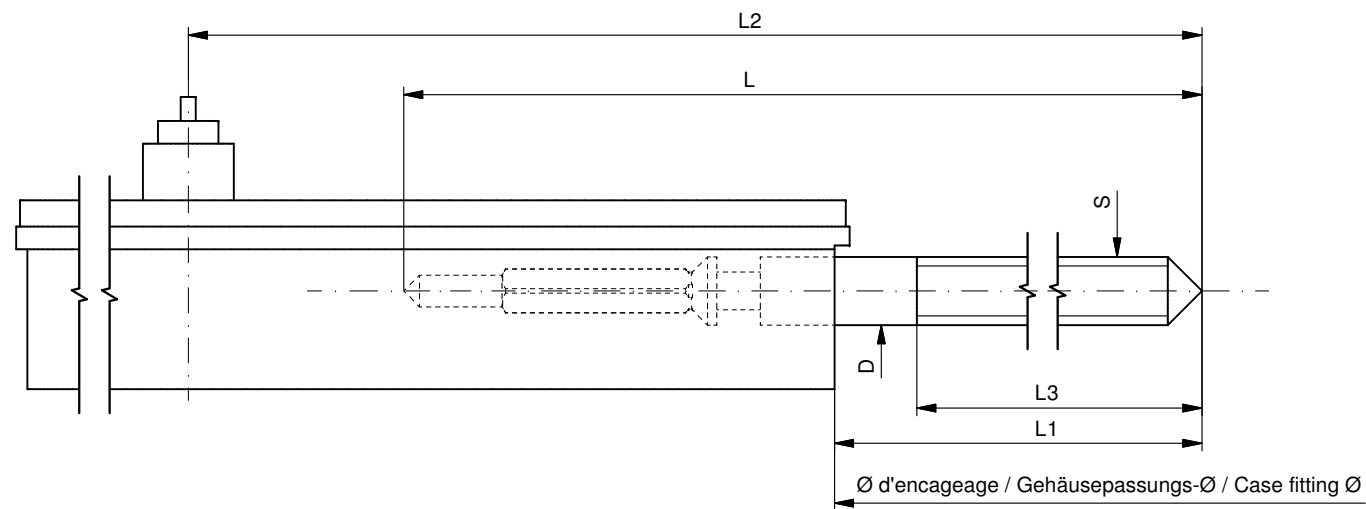
All modifications reserved

Aiguillages Zeigerwerkhöhen Hand fitting heights	7 <sup>3</sup> / <sub>4</sub> " , 8 <sup>3</sup> / <sub>4</sub> "	Issued	14 Okt 2002	cw
	10 <sup>1</sup> / <sub>2</sub> " , 11 <sup>1</sup> / <sub>2</sub> "	Modified	03 Feb 2012 ÄA 12073	ds
		Released	Yes	
		Tolerance	µm	
		Scale	20 : 1 (A3H)	
RONDA	775, 785, 705, 715, 715Li	Sous réserve de modifications Aenderungen vorbehalten Modifications reserved		
		No.	3316.077	08

\* En cas de données différentes, veuillez contacter le service après-vente

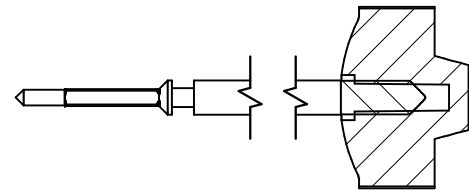
\* Bei abweichenden Werten, bitte technischen Kundendienst anfragen

\* In case of different values, please contact the customer service



Tige de travail (intégrée dans le mouvement)  
 Arbeitstellwelle (im Werk eingebaut)  
 Working stem (implemented in the movement)

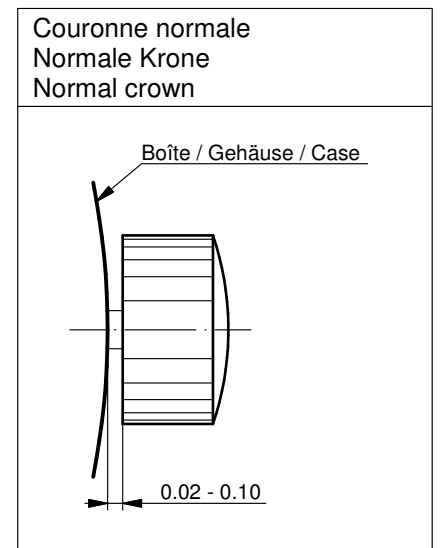
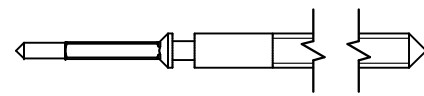
No. d'article Artikelnummer Part number	L	L1	L2	L3	S	D
3000.131.CO	17.24	8.63	20.28	12.00	0.90	0.90



Couleur de la couronne Kronenfarbe Crown color	gris grau gray
Code	UN 7008

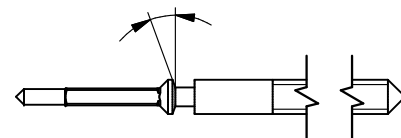
Tige (normale) / Stellwelle (normal) / Stem (normal)

No. d'article Artikelnummer Part number	L	L1	L2	L3	S	D
3000.131	17.24	8.63	20.28	12.00	0.90	0.90
3000.152	19.24	10.63	22.28	14.00	0.90	0.90
3000.151	25.00	16.39	28.04	18.76	0.90	0.90
3000.138	32.00	23.39	35.04	20.28	0.90	0.90



Tige (à arracher)  
 Stellwelle (Ausreissversion)  
 Stem (extractable version)

No. d'article Artikelnummer Part number	L	L1	L2	L3	S	D
3000.133	17.24	8.63	20.28	12.00	0.90	0.90

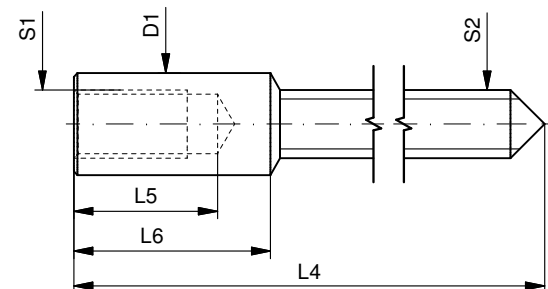


Couronne vissée  
 Geschraubte Krone  
 Screwed crown

Force ⇄ min. Kraft ⇄ min. Force ⇄ min.	10 N
Force ⇄ max. Kraft ⇄ max. Force ⇄ max.	15 N

Rallonge de tige / Stellwelle Verlängerung / Stem extension

No. d'article Artikelnummer Part number	L4	L5 (min)	L6	S1	S2	D1
3000.040	12.00	1.90	2.60	0.90	0.90	1.35



Tige Stellwelle Stem	(dimensions / forces) (Dimensionen / Kräfte) (dimensions / forces)		Issued	13 Aug 2012	ds5212	
	RONDA	702, 703, 704, 705, 706.1, 706.3, 706B, 708	Modified	17 Mär 2017 ÄA 34582	mg5224	
			Released	YES		
			Tolerance	---		
			Scale	10:1 (A3)		
		Sous réserve de modifications Änderungen vorbehalten Modifications reserved				
		No.	5030.004	02		

# User's Manual English

## Movements Caliber

### RONDA powertech

– 585  
– 505  
– 515

### RONDA slimtech

– 1005  
– 1006  
– 1009  
– 1015  
– 1016  
– 1019

### RONDA normtech

– 774 – 6003.D  
– 775 – 6004.D  
– 704 – 6003.B  
– 705 – 6004.B  
– 784  
– 785  
– 714  
– 715  
– 715Li

### RONDA mastertech

– 7002.B  
– 7003.B  
– 7004.B

You have decided to buy a watch, which was assembled by a watchmaker using a Ronda movement. Please note that no watches are produced or distributed under the Ronda brand.

In case of repairs, guarantee claims and questions concerning the functioning of a watch, purchasers and consumers should contact their retailer or the watch manufacturer, for which the relevant information can be found in the sales or guarantee documentation provided with the watch.

#### Cal. 585 / 785:

Battery type: 362/SR721SW

#### Cal. 774 / 775 / 784:

Battery type: 364/SR621SW

#### Cal. 505 / 515 / 704 / 705 / 714 / 715:

Battery type: 371/SR920SW

#### Cal. 6003.D / 6004.D / 6003.B / 6004.B:

Battery type: 373/SR916SW

#### Cal. 1005 / 1006 / 1009 / 1015 / 1016 / 1019:

Battery type: 341/SR714SW

#### Cal. 7002.B / 7003.B / 7004.B:

Battery type: 381/SR1120SW

#### Cal. 715Li:

Battery type: CR 2016

Precision: +20/-10 seconds per month

Cal. 585

Cal. 6003.D

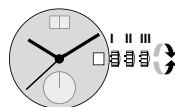
Cal. 505

Cal. 6004.D

Cal. 515

Cal. 6003.B

Cal. 6004.B



**Pos. I Position of rest** (watch running)

**Pos. II Quick-change correction for date**

*The date can also be corrected during the day-changing phase between 10 pm and midnight. The date of the following day has to be set, because no automatic date change takes place at midnight.*

- Pull the crown out to position II (watch still running).
- Turn the crown clockwise until the required date appears.

*Cal. 6003.D & 6004.D:*

- Turn the crown until the required date appears.
- Push the crown back into position I.

**Pos. III Setting the time**

- Pull the crown out to position III (watch stopped).
- Turn the crown, until the current time is displayed (remember the 24-hour cycle).
- Push the crown back into position I.

Cal. 774

Cal. 715Li

Cal. 775

Cal. 704

Cal. 1005

Cal. 705

Cal. 1006

Cal. 784

Cal. 1009

Cal. 785

Cal. 1015

Cal. 714

Cal. 1016

Cal. 715

Cal. 1019



**Pos. I Position of rest** (watch running)

**Pos. II Quick-change correction for date**

*Blocking time for the quick-change day correction is from approx. 9.30 pm and midnight.*

- Pull the crown out to position II (watch still running).
- Turn the crown until the current date appears.
- Push the crown back into position I.

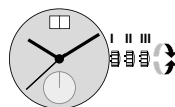
**Pos. III Setting the time**

- Pull the crown out to position III (watch stopped).
- Turn the crown, until the current time is displayed (remember the 24-hour cycle).
- Push the crown back into position I.

Cal. 7002.B

Cal. 7003.B

Cal. 7004.B



**Pos. I Position of rest** (watch running)

**Pos. II Quick-change correction for date**

*The date can also be changed during the day-changing phase between approx. 8.00 pm and midnight.*

*The date of the following day has to be set, because no automatic date change takes place at midnight.*

- Pull the crown out to position II (watch still running).
- Turn the crown until the current date appears.
- Push the crown back into position I.

**Pos. III Setting the time**

- Pull the crown out to position III (watch stopped).
- Turn the crown, until the current time is displayed (remember the 24-hour cycle).
- Push the crown back into position I.



10 1/2'''



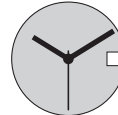
702



703



704



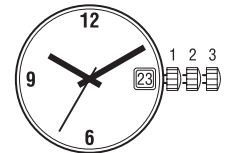
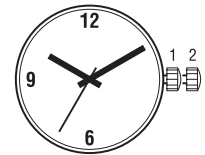
705

**Funktionen**

**Fonctions**

**Functions**

Kaliber Calibre Caliber	Stellwellenpos. Pos. de tige Stem position	Funktionen Fonctions Functions
702 / 703	1	Normale Position / Position normale / Running position Zeiger stellen, Sekunden-Stopp mit Unterbruch der Motorimpulse
	2	Mise à l'heure, stop-seconde avec interruption des impulsions moteur Hand setting, stop-second with interruption of motor impulses
704 / 705	1	Normale Position / Position normale / Running position
	2	Datumkorrektur / Correction de la date / Date correction
	3	Zeiger stellen, Sekunden-Stopp mit Unterbruch der Motorimpulse Mise à l'heure, stop-seconde avec interruption des impulsions moteur Hand setting, stop-second with interruption of motor impulses



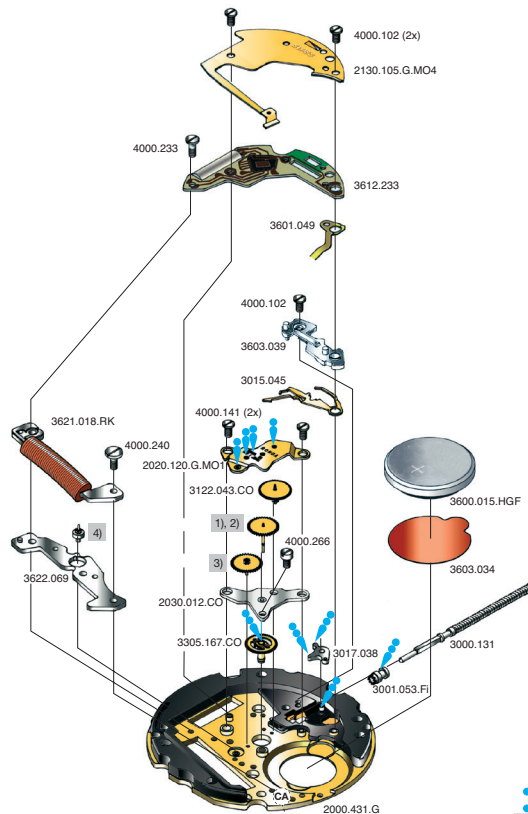
**Batterie**

**Pile**

**Battery**

Kaliber Calibre Caliber	Batterie Pile Battery	Spannung Voltage Tension	Artikelnummer RONDA Numero d'article RONDA Part number RONDA
702-705	371 / SR920SW	1.55 V	3600.015.HGF

10 1/2''' 702, 703, 704, 705



Dünflüssiges Öl Moebius 9014  
Fett Moebius, Microglisse D5, Jisma 124

Cal. 703 Werkseite / Côté mouvement / Movement side			
Nr. / No. / No.	Bestandteile	Fournitures	Spare Parts
2000.431.G	Werkplatte	Platine	Main Plate
2030.012.CO	Räderwerkbrücke	Pont rouge	Train w. bridge
2030.012.CO	Zentrumbrücke	Pont centre	Centre bridge
2130.105.G.MO4	Modul-Abdeckp.	Couvre module	Module cover pl.
3000.131	Stellwelle	Tige	Stem
3001.053.FI	Kupplungstrieb	Pignon coulant	Sliding pinion
3015.045	Kuppl.-triebhebel	Bascule	Yoke
3017.038	Winkelhebel	Tirette	Setting lever
3122.043.CO	Kleinbodenrad	Roue moyenne	Third wheel
1)	Sekundenrad	Roue secondes	Second-wheel
3)	Zwischenrad	Roue interméd.	Intermed. wheel
3305.167.CO	Minutenrohr	Chaussée	Cannon pinion
3600.015.HGF	Batterie	Pile	Battery
3601.049	Batterie-Kontakt	Bride contact	Battery contact
3603.034	Batterie-Isolation	Isolateur pile	Battery insulation
3603.039	Deckplatte/ Ste.	Couvre mécan.	Setting lev. cover
3612.233	Modul	Module	Module
3621.018.RK	Spule	Bobine	Coil
3622.069	Stator	Stator	Stator
4)	Rotor	Rotor	Rotor
4000.102	Schraube	Vis	Screw
4000.141	Schraube	Vis	Screw
4000.233	Schraube	Vis	Screw
4000.240	Schraube	Vis	Screw
4000.266	Schraube	Vis	Screw

Code: Beispiel CA / exemple CA / exemple CA

**Cal. 703, 705**

Bis Juni 2014  
Jusqu' en Juin 2014  
Untill June 2014

Ab Juli 2014  
A partir de Juillet 2014  
From July 2014

Code	2. Buchstabe ... A Second letter ... A 2 <sup>ème</sup> chiffre: ... A	2. Buchstabe: ab B Second letter: from B 2 <sup>ème</sup> chiffre: à partir de B
1)	3136.087.CO	3136.212.CO
3)	3147.019.CO	3147.092.CO
4)	3715.030.RK	3715.139.RK

Die obigen 3 Teile bilden jeweils eine Gruppe. Deshalb sind die 3 Teile jeder Gruppe nicht einzeln gegeneinander austauschbar.

Les 3 fournitures ci-dessous forment un groupe individuel. C'est pourquoi les 3 fournitures de chaque groupe ne sont pas interchangeables.

The 3 parts mentioned above are forming an individual group. Therefore the 3 parts of each group are not interchangeable.

**Abweichungen / Divergences / Deviations**

Cal. 705 Werkseite / Côté mouvement / Movement side			
Nr. / No. / No.	Bestandteile	Fournitures	Spare Parts
3015.040	Kuppl.-triebhebel	Bascule	Yoke

Cal. 702 Werkseite / Côté mouvement / Movement side			
Nr. / No. / No.	Bestandteile	Fournitures	Spare Parts
2)	Sekundenrad	Roue secondes	Second-wheel
3)	Zwischenrad	Roue interméd.	Intermed. wheel
3305.176.CO	Minutenrohr	Chaussée	Cannon pinion
4)	Rotor	Rotor	Rotor

Cal. 704 Werkseite / Côté mouvement / Movement side			
Nr. / No. / No.	Bestandteile	Fournitures	Spare Parts
3015.040	Kuppl.-triebhebel	Bascule	Yoke
2)	Sekundenrad	Roue secondes	Second-wheel
3)	Zwischenrad	Roue interméd.	Intermed. wheel
3305.176.CO	Minutenrohr	Chaussée	Cannon pinion
4)	Rotor	Rotor	Rotor

**Cal. 702, 704**

Bis Juni 2014  
Jusqu' en Juin 2014  
Untill June 2014

Ab Juli 2014  
A partir de Juillet 2014  
From July 2014

Code	2. Buchstabe ... A Second letter ... A 2 <sup>ème</sup> chiffre: ... A	2. Buchstabe: ab B Second letter: from B 2 <sup>ème</sup> chiffre: à partir de B
2)	3136.093.CO	3136.196.CO
3)	3147.019.CO	3147.092.CO
4)	3715.030.RK	3715.139.RK

Die obigen 3 Teile bilden jeweils eine Gruppe. Deshalb sind die 3 Teile jeder Gruppe nicht einzeln gegeneinander austauschbar.

Les 3 fournitures ci-dessous forment un groupe individuel. C'est pourquoi les 3 fournitures de chaque groupe ne sont pas interchangeables.

The 3 parts mentioned above are forming an individual group. Therefore the 3 parts of each group are not interchangeable.

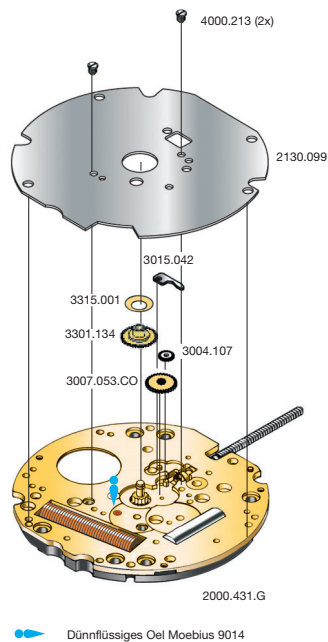
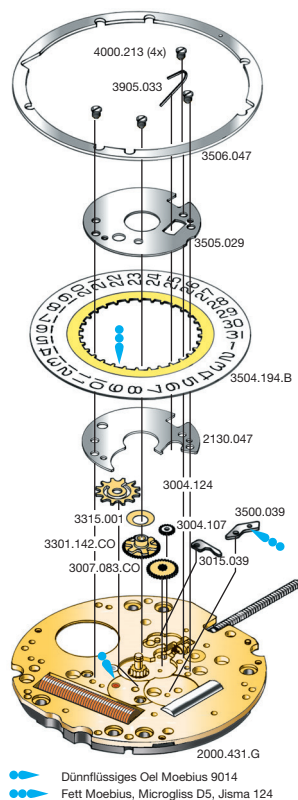
# Werkaufbau

# Assemblage

# Assembling

10 1/2''' 704, 705

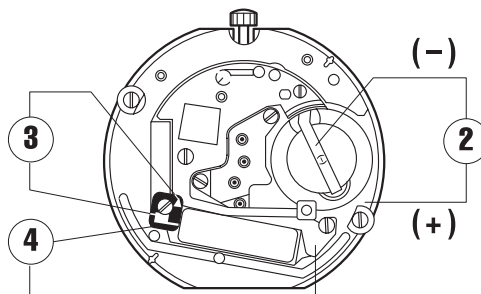
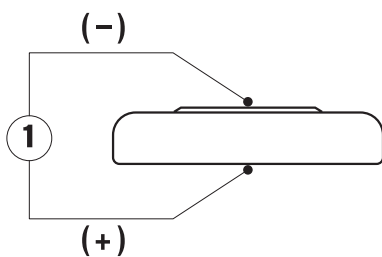
10 1/2''' 702, 703



Cal. 704, 705 Zifferblattseite / Côté cadran / Dial side			
Nr. / No. / No.	Bestandteile	Fournitures	Spare Parts
2130.047	Kalenderplatte	Plaque calend.	Date ind. plate
3004.107	Zeigerstellrad	Renvoi minuterie	Setting wheel
3004.124	Datummitn.-Rad	Renvoi entrain.	Ind. driving wheel
3007.083.CO	Wechselrad	Minuterie	Minute wheel
3015.039	Kup.triebhebel u.	Bascule dessous	Lower sec. yoke
3301.142.CO	Stundenrad	Canon	Hour wheel
3315.001	Spreizfeder	Clinquant 2 1/2	Washer 2 1/2
3500.039	Datmraste	Cliquet calend.	Date jumper
3504.194.B	Datumanzeiger	Bague	Date indicator
3505.029	Kal.-Abdeckplatte	Couvercle calend.	Date ind. guard
3506.047	Zifferblattstützring	Support cadran	Dial support
3905.033	Feder Datmraste	Ressort calend.	Date jumper spr.
4000.213	Schraube	Vis	Screw

## Abweichungen / Divergences / Deviations

Cal. 702, 703 Zifferblattseite / Côté cadran / Dial side			
Nr. / No. / No.	Bestandteile	Fournitures	Spare Parts
2130.099	Zeigerwerkhaltep.	Plaque maintien	Maintaining plate
3007.053.CO	Wechselrad	Minuterie	Minute wheel
3015.042	Kup.-triebhebel u.	Bascule dessous	Lower sec. yoke
3301.134	Stundenrad	Canon	Hour wheel



Kaliber Calibre Caliber	Pos. Pos. Pos.	Einheit Unité Unit	Messwerte Valeurs mesurées Measured values	Kontrolle Contrôle Check	Bemerkungen Remarques Remarks
702-705	1	V	1,55	Batterie-Spannung Tension de la pile Battery voltage	Batterie herausnehmen und messen Enlever et mesurer la pile Remove battery for measuring
702-705	2	µA	0,70-1,35	Stromaufnahme (Kalender nicht im Eingriff) Consommation de courant (quantième non en prise) Current consumption (Date mechanism not in gear)	Ohne Batterie, mit externer Speisung Sans pile, avec alimentation externe Without battery, with external power supply
702-705	2	V	≤ 1,35	Funktionskontrolle bei Minimalspannung Contrôle de fonctionnement à tension minimale Check with lowest possible voltage	Ohne Batterie, mit externer Speisung Sans pile, avec alimentation externe Without battery, with external power supply
702-705	3	KΩ	1,75-1,95	Spulenwiderstand Résistance de la bobine Resistance of the coil	Ohne Batterie Sans pile Without battery
702-705	4	KΩ	∞	Spulenisolation Isolation de la bobine Coil insulation	Ohne Batterie Sans pile Without battery
702-705		Sek./Monat sec./mois sec./month	- 10/+ 20	Induktivsonde 60 Sek. Senseur inductif 60 sec. Inductive sensor 60 sec.	Mit Batterie Avec pile With battery

Einschalen / Werkzeuge

Emboîtage / outils

Casing / tools

Nr. H 70X.1A



Nr. H 70X.1T



SWISS MADE	SWISS PARTS

**Zeigersetzen**

Maximale Aufpresskraft:

- Stunden und Minutenzeiger: max. 40N
- Sekundenzeiger: max. 30N

Beim Zeigersetzen muss das Werk abgestützt werden.

**Poser les aiguilles**

Force de chassage maximale:

- Aiguilles des heure et des minutes: max. 40N
- Aiguille des secondes: max. 30N

Lors de la pose d'aiguilles, le mouvement doit être soutenu.

**Hand setting**

Maximal force:

- Hour and minute hands: max. 40N
- Second hand: max. 30N

The movement needs to be supported for hand setting.

**Stellwelle entfernen**

Beim Entfernen der Stellwelle muss sich die Stellwelle in Position 1 (gedrückt) befinden, bevor auf den Winkelhebel gedrückt wird.

**Enlever la tige**

En enlevant la tige, la tige doit se trouver en position 1 (poussée), avant de pousser sur la tirette.

**Stem removal**

For removal of the stem, the stem must be pushed into position 1 (pressed in) prior to apply pressure to the setting lever.