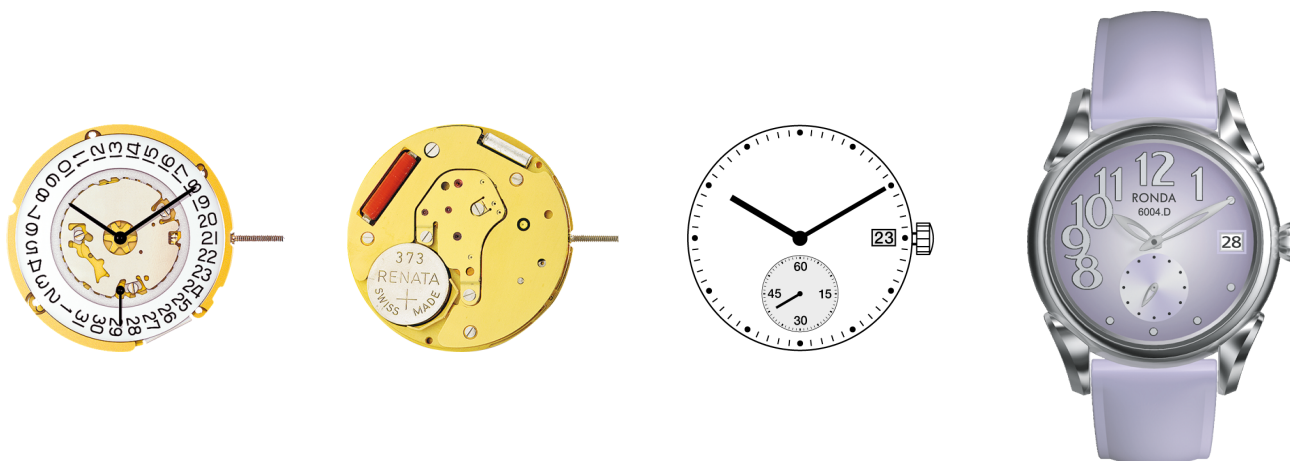


RONDA normtech 700 & 6000

Long battery-life and special functionality

Caliber 6004.D – 11½'''



Product Specifications

Analog quartz movement	
Line	normtech
Caliber	6004.D
Size	11½'''
Version	Swiss Made
	5 Jewels / gold plated
Standard battery life	40 months
Hand fitting height	1

Features

- Repairable metal watch movement
- Power saving mechanism with pulled out stem: Reduction of consumption approximately 70%

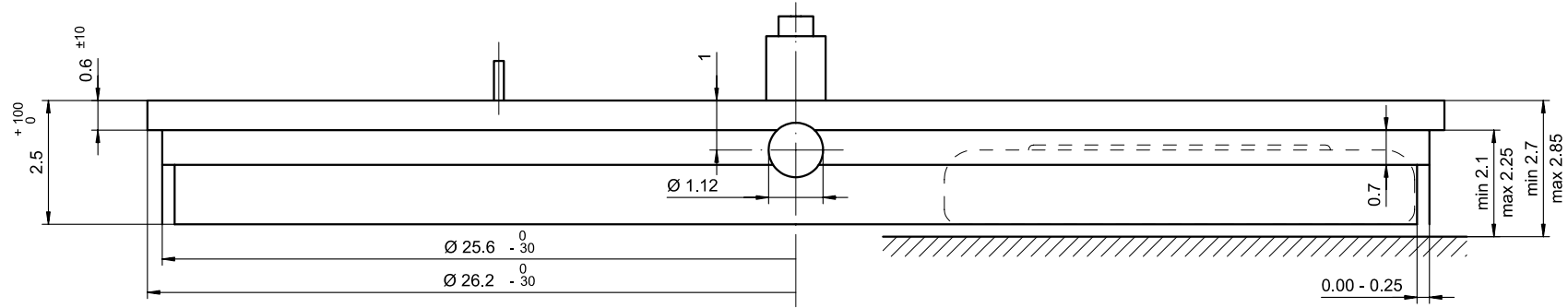
Functions

- Date
- Small second
- 2 hands

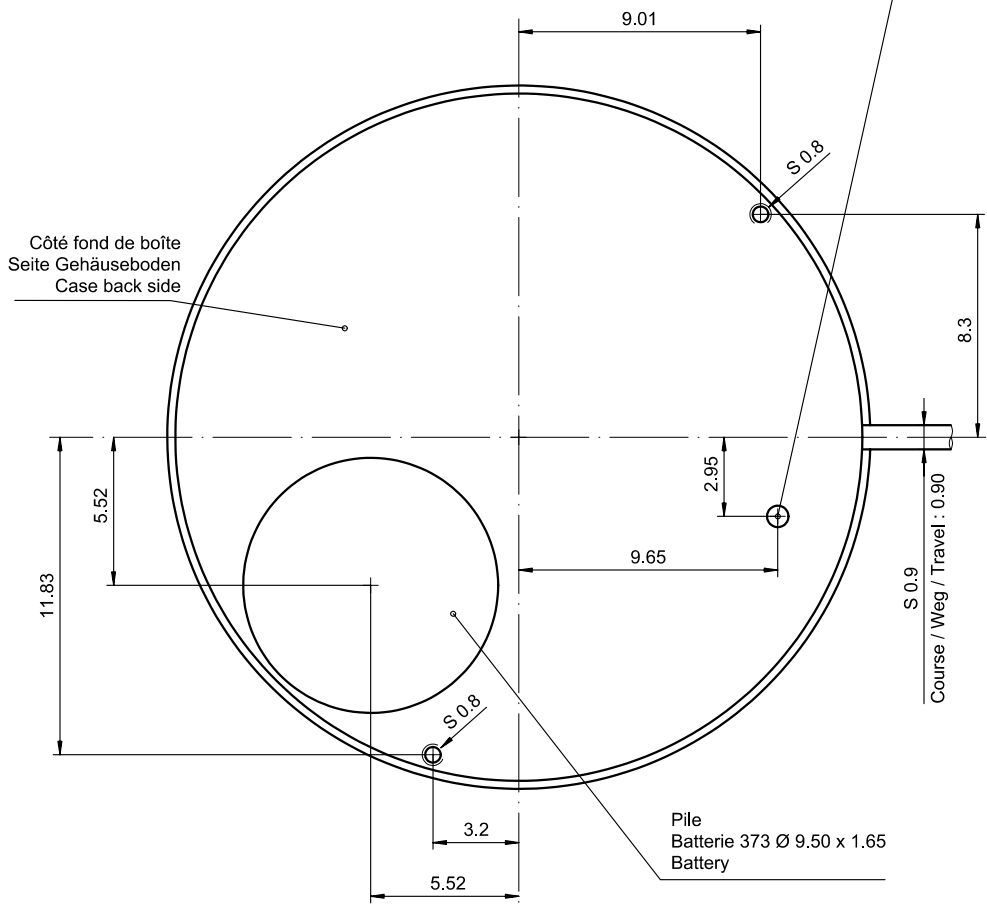
Technical Specifications

Diameter Total	26.00 mm
Case fitting	25.60 mm
Movement height	2.50 mm
Height over standard battery	2.50 mm
Movement rest	0.60 mm
Height over stem	1.00 mm
Length of stem travel	0.90 mm
Force to push the stem for screwed crown	10 / 17,5 N
Stem thread	0.90 mm
Standard battery	373
Standard battery life	40 months
Battery voltage	1.5 V
Current consumption – typical	1.03 µA (Date Mechanism not in Gear)
Current consumption – maximum	1.45 µA (Date Mechanism not in Gear)
Useful torque second – typical	6 µNm
Useful torque minute – typical	300 µNm
Operating temperature	0 - 50 °C
Instantaneous rate	-10/ +20 sec/month
Resistance to magnetic fields	18.8 Oe
Resistance against shock	NIHS 91-10

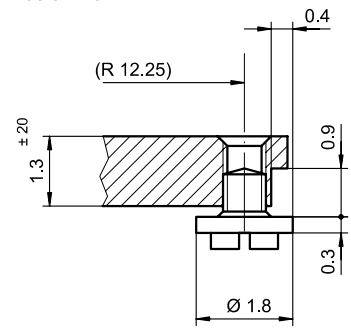




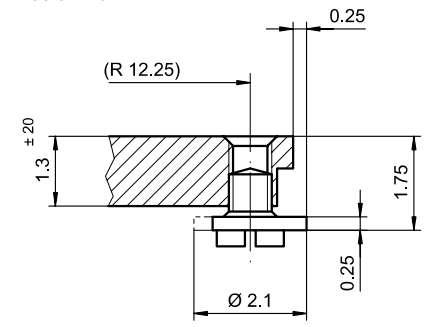
Position pour extraire la tige
 Position zum entfernen der Stellwelle
 Position to remove the stem



Vis No. :
 Schraube Nr.: 4000.236
 Screw No. :



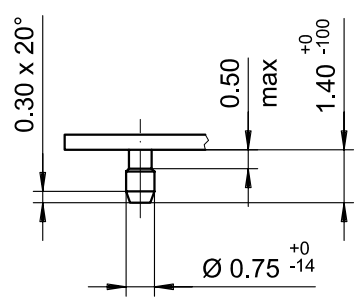
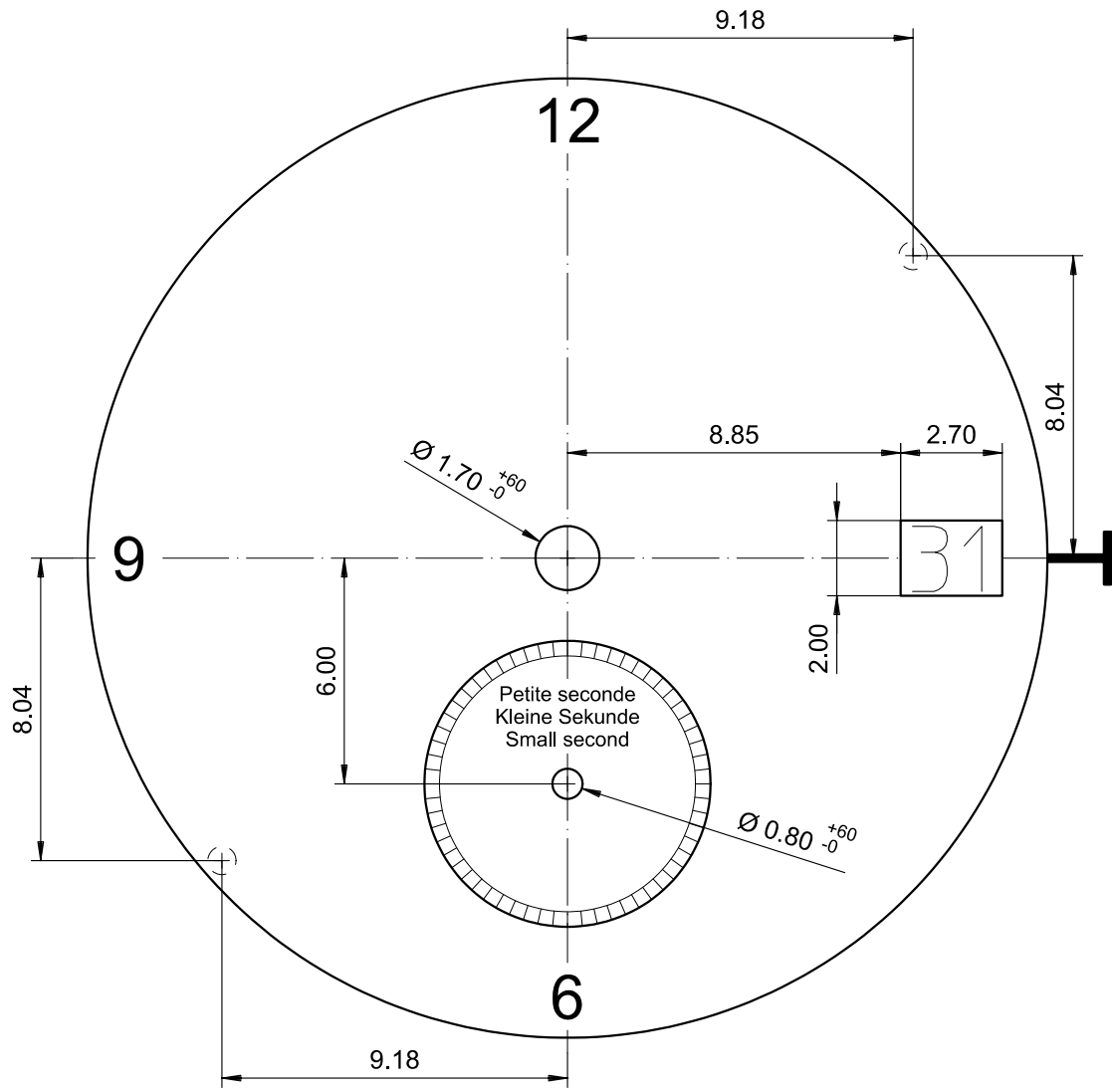
Vis No. :
 Schraube Nr.: 4000.237
 Screw No. :



Sécurité entre l'aiguille des seconde et le verre : min 0.30 mm
 Sicherheit zwischen Sekundenzeiger und Glas : min 0.30 mm
 Security between second hand and glass : min 0.30 mm

Le cadran doit être tenu par la boîte.
 Das Zifferblatt muss durch die Schale gehalten werden.
 The dial must be hold by the case.

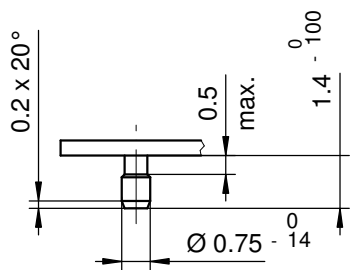
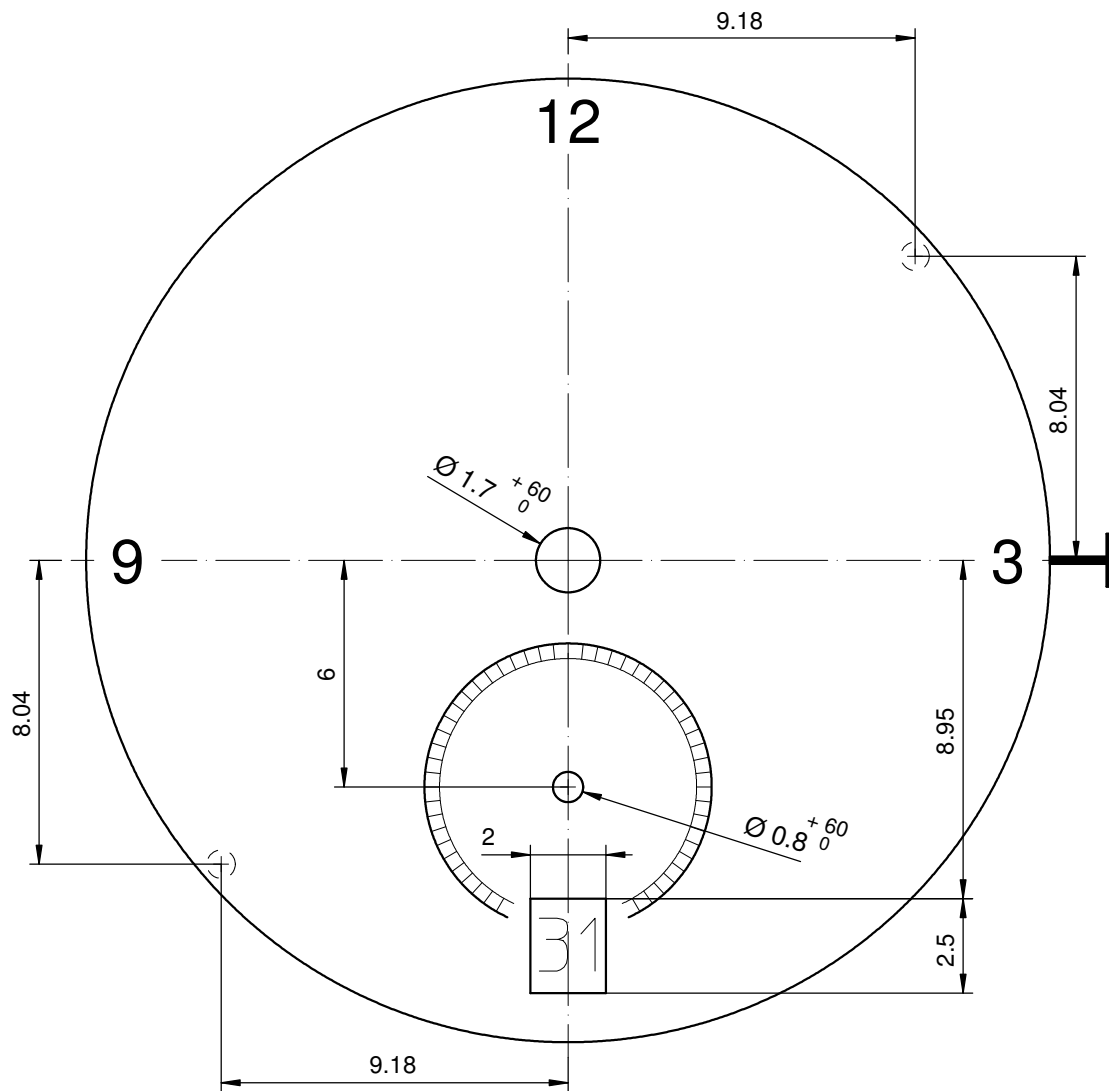
Cage Uhrwerkgestell Frame	11½"		
	Issued	22 Nov 2006	cm
	Modified	09.Juli 2007 ÄA 2474	cm
	Released	YES	
	Tolerance	+/- 20 µm	
Scale	10 : 1 (5 : 1) (A3H)		
RONDA	6004.D		
	Sous réserve de modifications Aenderungen vorbehalten Modifications reserved		
No.	5000.333	02	



Tige	Date
Stellw.	Datum
Stem	Date
3H	3H
	<input type="checkbox"/>

Epaisseur du cadran selon hauteur de l'aiguillage
 Zifferblattdicke gemäss Zeigerwerkhöhen
 Dial thickness according to hand fitting heights

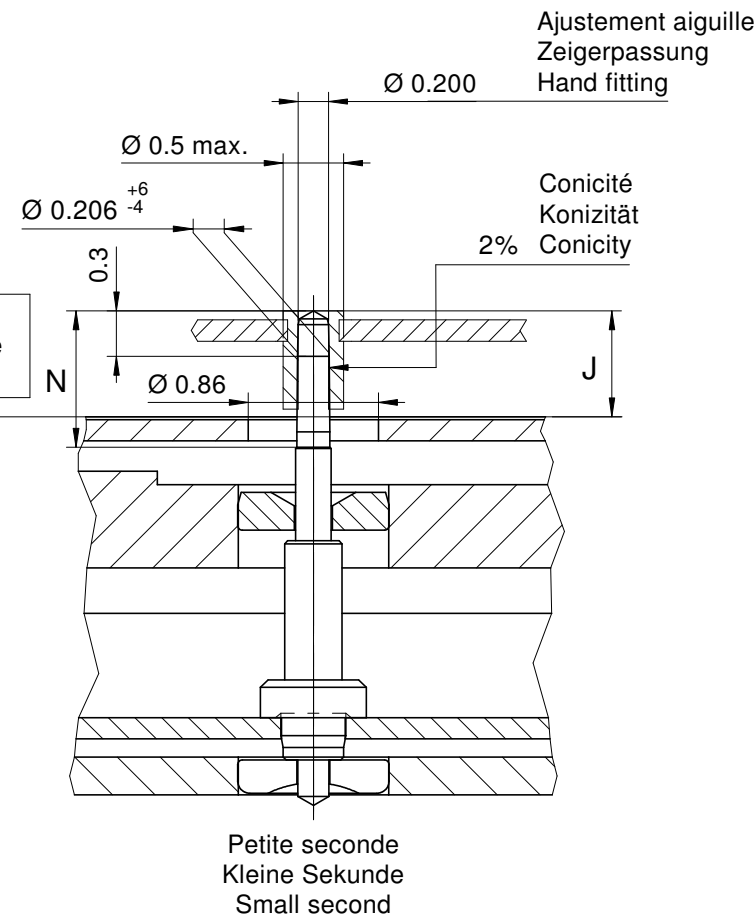
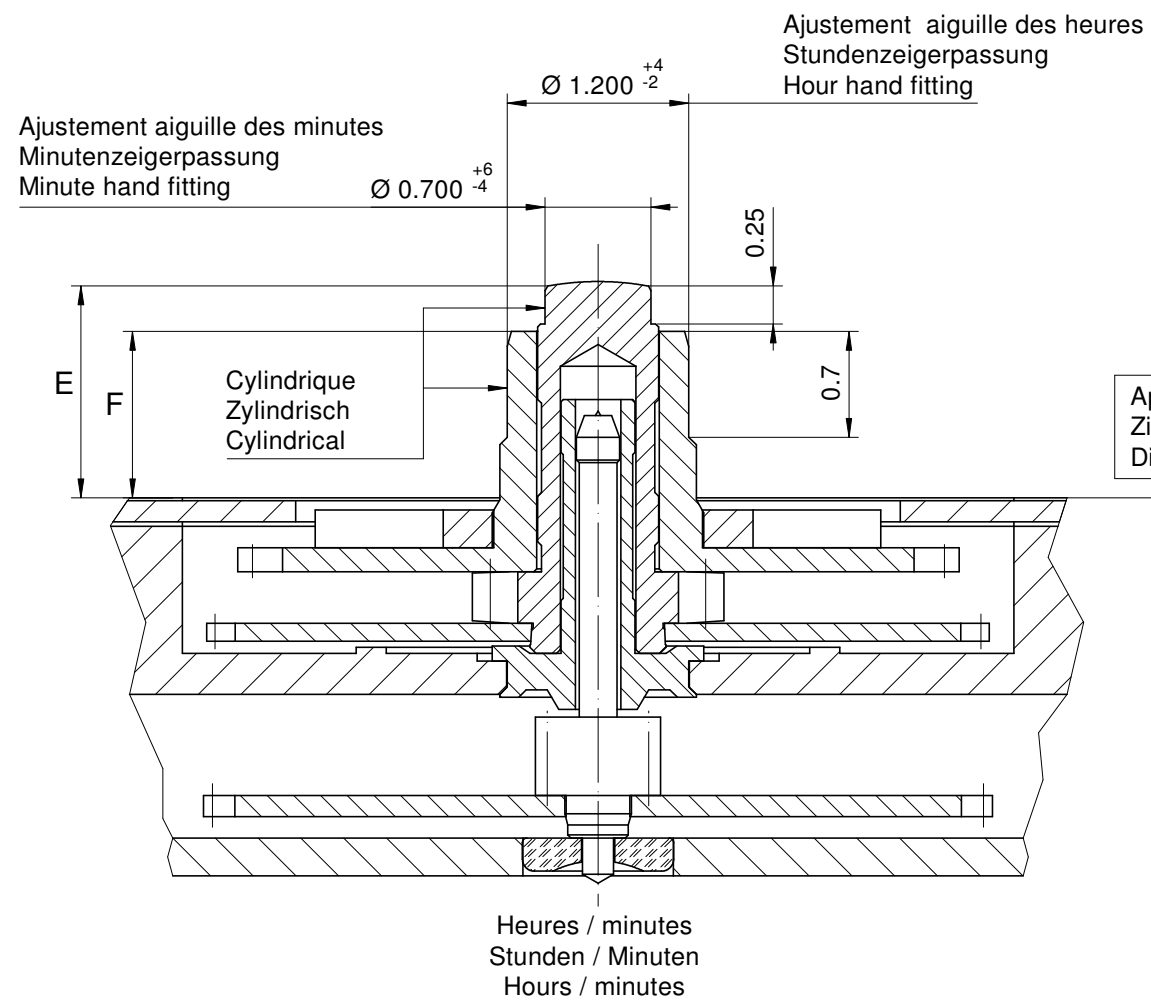
Cadran Zifferblatt Dial	11½"	Issued	23 Nov 2006	cm
		Modified	21.Apr.2008 ÄA 4553	fl
		Released	YES	
		Tolerance	+/- 20 µm	
		Scale	5 : 1 (A4V)	
RONDA	6004.D	Sous réserve de modifications Aenderungen vorbehalten Modifications reserved		
		No.	5010.762	01



Epaisseur du cadran selon hauteur de l'aiguillage
 Zifferblattdicke gemäss Zeigerwerkhöhen
 Dial thickness according to hand fitting heights

Tige	Date
Stellw.	Datum
Stem	Date
3H	6H
□	

Cadran Zifferblatt Dial	11½"	Issued	23 Nov 2006	cm
		Modified	13 Mär 2012 ÄA 11870	ds
		Released	YES	
		Tolerance	+/- 20 µm	
		Scale	5 : 1 (A4V)	
RONDA	6004.D	Sous réserve de modifications Aenderungenvorbehalten Modifications reserved		
		No.	5010.763	01



Aiguillages Zeigerwerkhöhe Hand fitting height				
Dépassement Höhe über Zifferblattauflage Height over dial seat				
No	Chaussée Minutenrohr Cannon-pinion	Roue des heures Stundenrad Hour wheel	Petite seconde Kleine Sekunde Small second	
	E	F	J	N
1	1.40	1.10	0.70	0.90
-				

Aiguillages Zeigerwerkhöhe Hand fitting height				
Peinture comprise / inkl. Farbe / Paint included				
Epaisseur maximum du cadran Maximale Zifferblattdicke Maximum dial thickness				
No	Sous l'aiguille des minutes Unter Minutenzeiger Under minute hand	Sous l'aiguille des heures Unter Stundenzeiger Under hour hand	Sous l'aiguille de petite seconde Unter kleine Sekundenzeiger Under small second hand	Epaisseur des aiguilles Zeigerdicke Hands thickness
1	1.00	0.70	0.25	0.15
-				

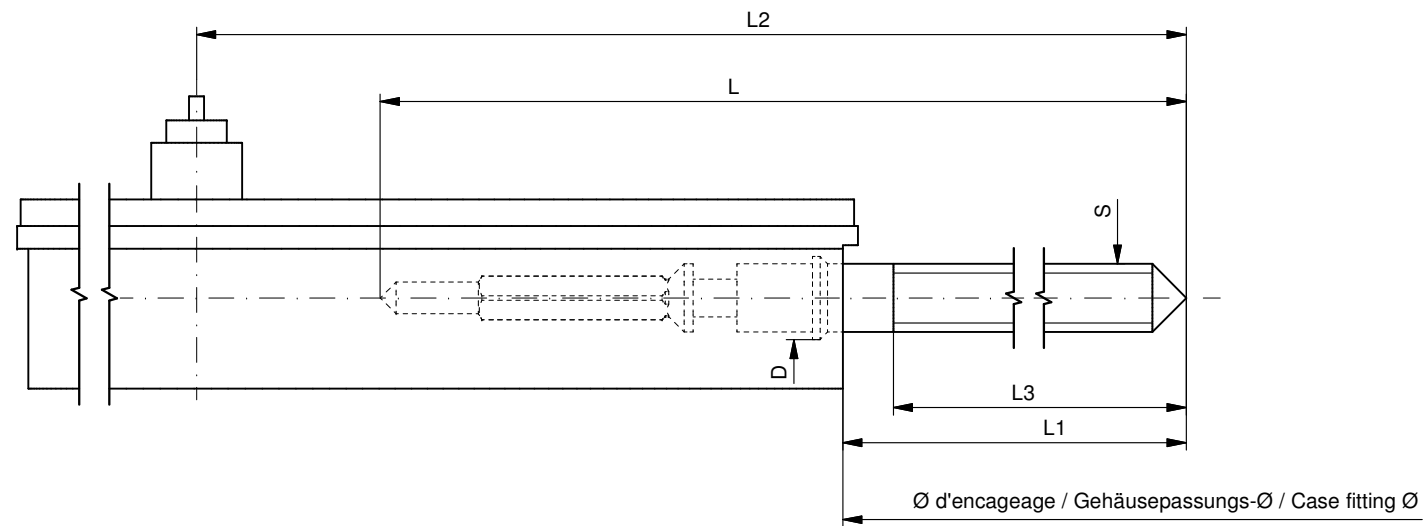
	Aig. des minutes Minutenzeiger Minute hand	Aig. des heures Stundenzeiger Hour hand	Aig. petite secondes Kleine Sekundenzeiger Small second hand	Lors de la pose d'aiguilles, le mouvement doit être soutenu. Beim Zeigersetzen muss das Werk abgestützt werden. The movement needs to be supported for hand setting.
mg max.	30	30	10	Masse / Masse / Weight *
µNm max.	0.80	0.80	0.05	Balourd / Unwucht / Unbalance *
gmm ² max.	-	-	0.4	Inertie / Massenträgheit / Inertia *
N max.	40	40	30	Force de chassage / Aufpresskraft / Force

<h2>Aiguillages Zeigerwerkhöhen 1 1/2''' Hand fitting heights</h2>		Issued	14 Nov 2006	cm
		Modified	15 Okt 2014 ÄÄ 13275	dh
		Released	Yes	
		Tolerance	µm	
		Scale	20 : 1 (A3H)	
RONDA 6004.D		Sous réserve de modifications Änderungen vorbehalten Modifications reserved		
		No.	3316.102	08

* En cas de données différentes, veuillez contacter le service après-vente

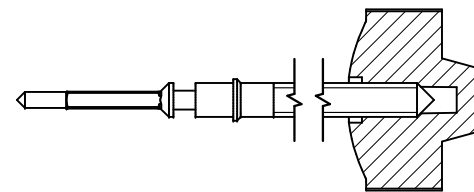
* Bei abweichenden Werten, bitte technischen Kundendienst anfragen

* In case of different values, please contact the customer service



Tige de travail (intégrée dans le mouvement)
 Arbeitstellwelle (im Werk eingebaut)
 Working stem (implemented in the movement)

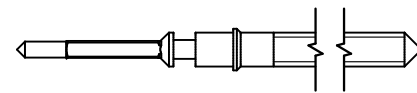
No. d'article Artikelnummer Part number	L	L1	L2	L3	S	D
3000.189.CO	19.30	10.57	23.37	10.15	0.90	1.10



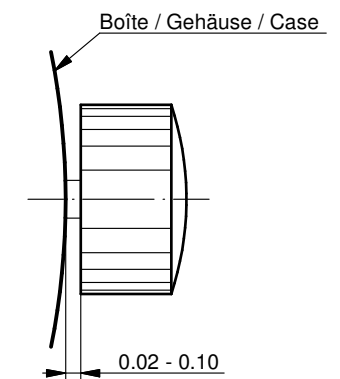
Couleur de la couronne Kronenfarbe Crown color	marron kastanienbraun chestnut
Code	UN 8018

Tige (normale) / Stellwelle (normal) / Stem (normal)

No. d'article Artikelnummer Part number	L	L1	L2	L3	S	D
3000.189	19.30	10.57	23.37	10.15	0.90	1.10
3000.199	25.00	16.27	29.07	15.85	0.90	1.10



Couronne normale
 Normale Krone
 Normal crown

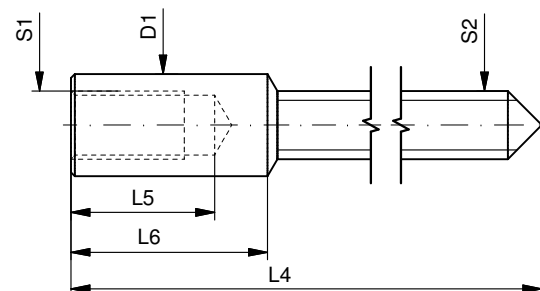


Couronne vissée
 Geschraubte Krone
 Screwed crown

Force ⇐ min. Kraft ⇐ min. Force ⇐ min.	10 N
Force ⇐ max. Kraft ⇐ max. Force ⇐ max.	15 N

Rallonge de tige / Stellwelle Verlängerung / Stem extension

No. d'article Artikelnummer Part number	L4	L5 (min)	L6	S1	S2	D1
3000.040	12.00	1.90	2.60	0.90	0.90	1.35



Tige (dimensions / forces)
 Stellwelle (Dimensionen / Kräfte)
 Stem (dimensions / forces)

RONDA

6003.B, 6003.D, 6004.B,
 6004.D

Issued	06 Sep 2012	ds5222
Modified	17 Mär 2017 ÄA 34582	mg5224
Released	YES	
Tolerance	---	
Scale	10:1 (A3)	

Sous réserve de modifications
 Änderungen vorbehalten
 Modifications reserved

No.	5030.021	01
-----	----------	----



Movement holder
Removing setting stem
H6XXX.1T



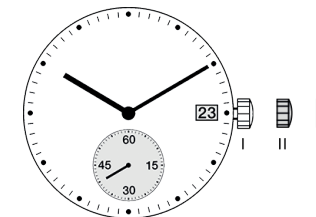
Movement holder
Setting hands
H6XXX.1A2

Fitting dial and hands

- Crown in position III
- Wind hour hand forwards, until date changes
- Remove working hand
- Set friction spring 3315.001 on the hour wheel, if not yet in place
- Fit dial
- Point all hands towards 12 o'clock
- Set time
- Crown in position II
- Set date
- Crown in position I

Date switching duration:

~1¼hrs


General Instructions

Removing the setting stem can only be effected in Pos. I.

The use of supporting screws is essential when mounting the hands.

Permitted hand setting strengths:

Hr / min. hands: <40N

Other hand: <30N

During quick date correction (setting stem in position II), a date switching speed of 5 d/s must not be exceeded.

User's Manual English

Movements Caliber

RONDA powertech

– 585
– 505
– 515

RONDA slimtech

– 1005
– 1006
– 1009
– 1015
– 1016
– 1019

RONDA normtech

– 774 – 6003.D
– 775 – 6004.D
– 704 – 6003.B
– 705 – 6004.B
– 784
– 785
– 714
– 715
– 715Li

RONDA mastertech

– 7002.B
– 7003.B
– 7004.B

You have decided to buy a watch, which was assembled by a watchmaker using a Ronda movement. Please note that no watches are produced or distributed under the Ronda brand.

In case of repairs, guarantee claims and questions concerning the functioning of a watch, purchasers and consumers should contact their retailer or the watch manufacturer, for which the relevant information can be found in the sales or guarantee documentation provided with the watch.

Cal. 585 / 785:

Battery type: 362/SR721SW

Cal. 774 / 775 / 784:

Battery type: 364/SR621SW

Cal. 505 / 515 / 704 / 705 / 714 / 715:

Battery type: 371/SR920SW

Cal. 6003.D / 6004.D / 6003.B / 6004.B:

Battery type: 373/SR916SW

Cal. 1005 / 1006 / 1009 / 1015 / 1016 / 1019:

Battery type: 341/SR714SW

Cal. 7002.B / 7003.B / 7004.B:

Battery type: 381/SR1120SW

Cal. 715Li:

Battery type: CR 2016

Precision: +20/-10 seconds per month

Cal. 585

Cal. 6003.D

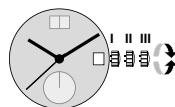
Cal. 505

Cal. 6004.D

Cal. 515

Cal. 6003.B

Cal. 6004.B



Pos. I Position of rest (watch running)

Pos. II Quick-change correction for date

The date can also be corrected during the day-changing phase between 10 pm and midnight. The date of the following day has to be set, because no automatic date change takes place at midnight.

- Pull the crown out to position II (watch still running).
- Turn the crown clockwise until the required date appears.

Cal. 6003.D & 6004.D:

- Turn the crown until the required date appears.
- Push the crown back into position I.

Pos. III Setting the time

- Pull the crown out to position III (watch stopped).
- Turn the crown, until the current time is displayed (remember the 24-hour cycle).
- Push the crown back into position I.

Cal. 774

Cal. 715Li

Cal. 775

Cal. 704

Cal. 1005

Cal. 705

Cal. 1006

Cal. 784

Cal. 1009

Cal. 785

Cal. 1015

Cal. 714

Cal. 1016

Cal. 715

Cal. 1019



Pos. I Position of rest (watch running)

Pos. II Quick-change correction for date

Blocking time for the quick-change day correction is from approx. 9.30 pm and midnight.

- Pull the crown out to position II (watch still running).
- Turn the crown until the current date appears.
- Push the crown back into position I.

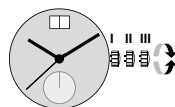
Pos. III Setting the time

- Pull the crown out to position III (watch stopped).
- Turn the crown, until the current time is displayed (remember the 24-hour cycle).
- Push the crown back into position I.

Cal. 7002.B

Cal. 7003.B

Cal. 7004.B



Pos. I Position of rest (watch running)

Pos. II Quick-change correction for date

The date can also be changed during the day-changing phase between approx. 8.00 pm and midnight. The date of the following day has to be set, because no automatic date change takes place at midnight.

- Pull the crown out to position II (watch still running).
- Turn the crown until the current date appears.
- Push the crown back into position I.

Pos. III Setting the time

- Pull the crown out to position III (watch stopped).
- Turn the crown, until the current time is displayed (remember the 24-hour cycle).
- Push the crown back into position I.