

# Cal. VJ21C

$\phi$  18.50 mm

H 2.28 mm

Item	Version No.
Specification	Version 5
Appearance	Version 2
Casing	Version 6
Hand Fitting	Version 3
Hand Setting Stem	Version 5
Dial - 1	Version 6
Casing Ring	Version 5
Assembly Plan	Version 6
Hands	Version 5



## MOVEMENT SPECIFICATIONS

### CAL.VJ21C 6 3/4 X 8 Ligne Quartz Movement Three Hands

#### 1. MOVEMENT DIMENSIONS

- Outside diameter 18.20mm (12H-6H) x 15.30mm (3H-9H),  $\phi$  18.50mm
- Casing diameter 17.80mm (12H-6H),  $\phi$  18.10mm
- Total height 2.28 mm (including the battery)

#### 2. TIME STANDARD

- Type of quartz oscillator Tuning fork
- Frequency of quartz oscillator 32,768 H Z
- Accuracy Monthly rate: Less than 20 seconds per month at normal temperature range
- Regulation device Nil
- Regulation hands unbalance
  - Second : Less than 0.07 $\mu$ N·m (7mg·mm)
  - Minute : Less than 0.30 $\mu$ N·m (30mg·mm)
  - Hour : Less than 0.30 $\mu$ N·m (30mg·mm)

#### 3. BATTERY

- Type Silver oxide battery
- Size  $\phi$  6.8 x t 2.1 ( mm )
- Battery life Approx. 3 years
- Recommended battery SR621SW ( SEIZAIKEN )

#### 4. STEPPING MOTOR

- Type Two pole stepping motor
- Step 180° every second

#### 5. JEWEL

0 jewel

#### 6. ANTIMAGNETISM

( direct current magnetic field )

$\geq$  1600 A / m

#### 7. SHOCK RESISTANCE

On equal level with general quartz movement

#### 8. OPERATING TEMPERATURE RANGE

From - 5°C to + 50°C

#### 9. SETTING MECHANISM

- Crown at normal position Free
- Crown pulled out to 1st click Time setting, second setting and reset switch

#### 10. TEST OF ACCURACY

- Equipment to be used
  - Quartz Tester QT - 99
  - Greiner Quartz Timer - C
  - Witschi Q-Tester 4000
- Duration of measurement 10 seconds
- Microphone to be used Electromagnetic detection type (DM-1)

#### 11. ATTACHED PARTS

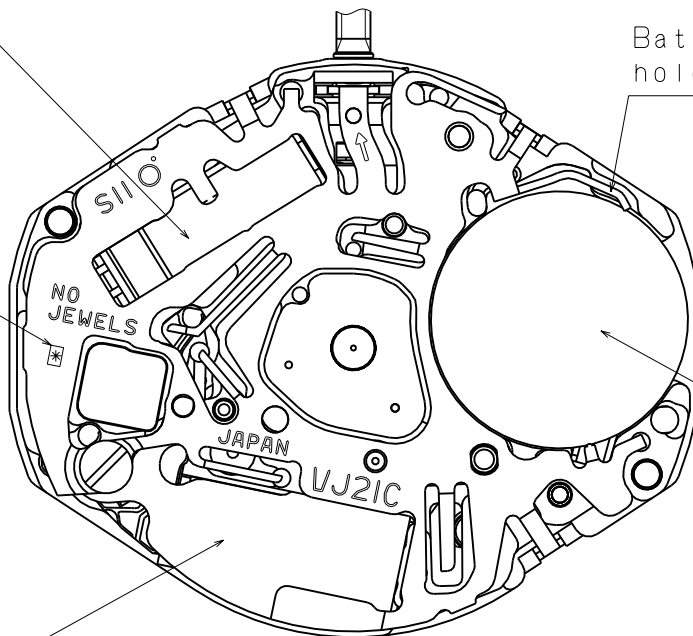
Parts Name	Parts Code
Silver oxide battery	3016 - 17G0
Hand setting stem	0351 - 3330

**\* All specifications are subject to change without notice.**

Crystal oscillator

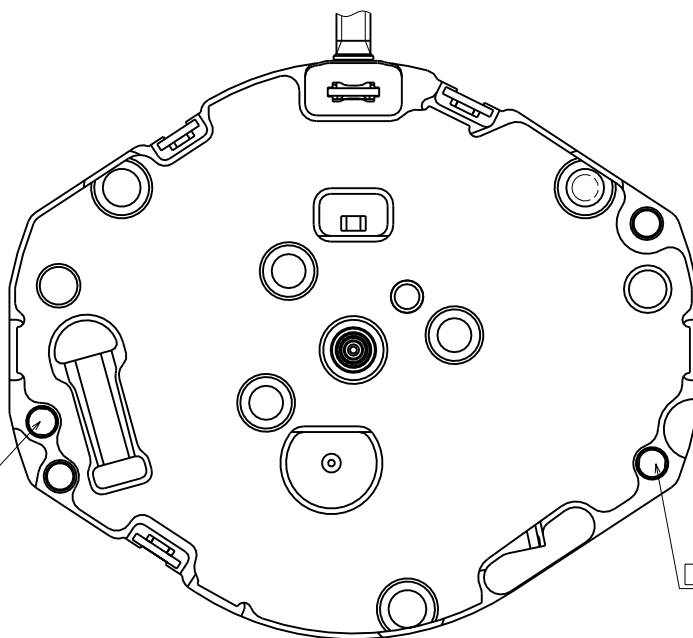
Battery side holding spring

	*
TYPE M	2
TYPE L	3



Battery

Coil block



Dial leg hole

Dial leg hole

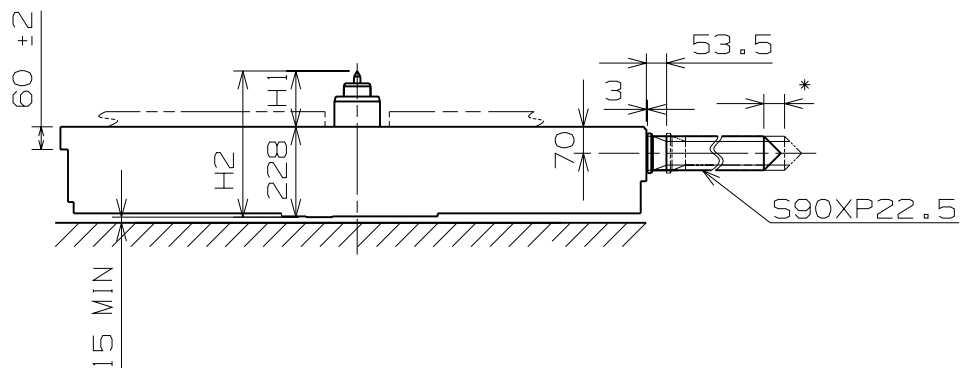
Scale : 5/1

Version:2

Unit : 1=1/100mm

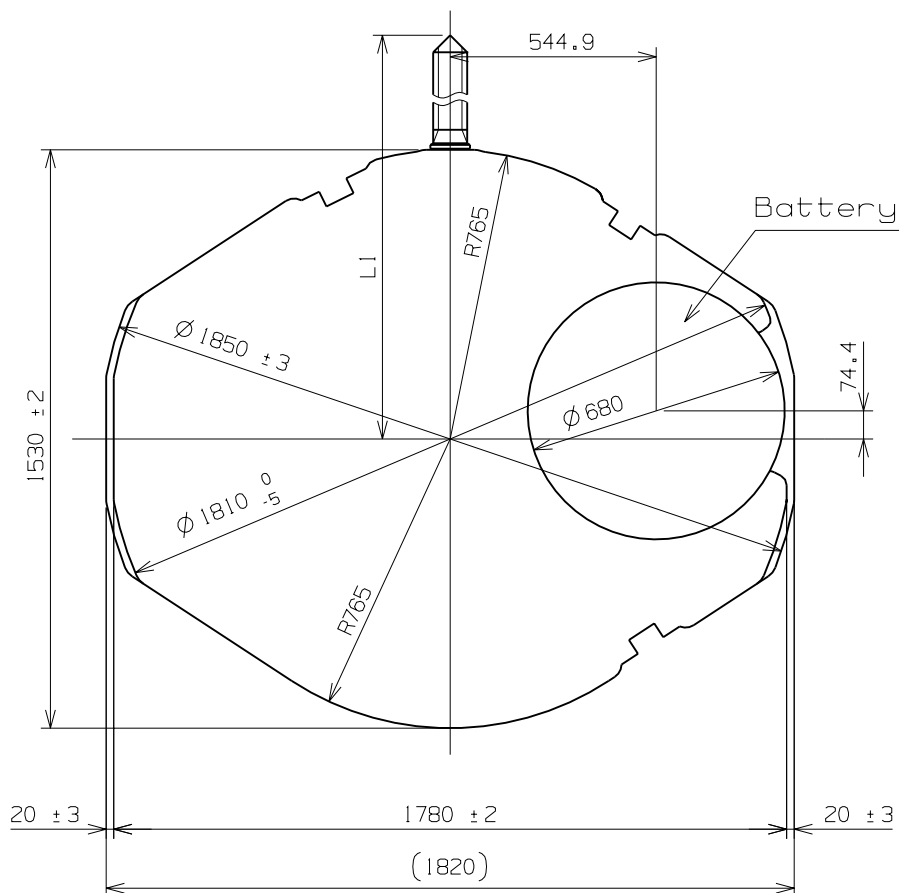
Battery Side holding spring Type.

\* Pull out Stroke 50.5



Center post		TYPE M	TYPE L
Maximum height from main plate surface	H1	147.7	211.8
Total height incl. movement	H2	375.7	439.8

Hand Setting Stem	TYPE A
L1	2001



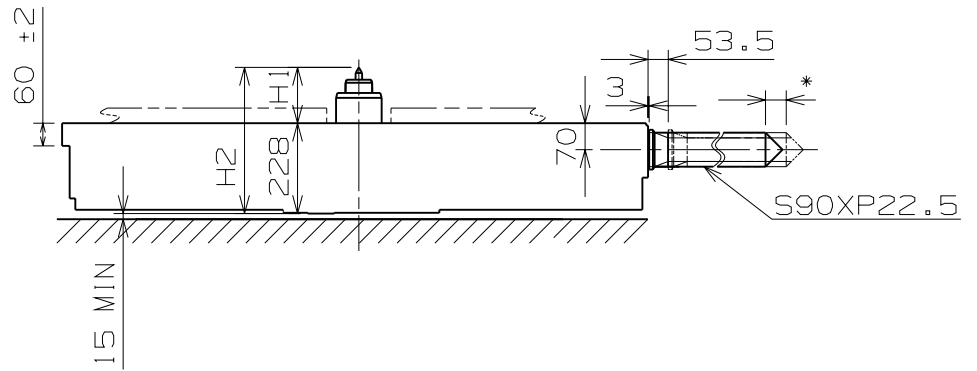
Scale : 5/1

Unit : 1=1/100mm

Version:6

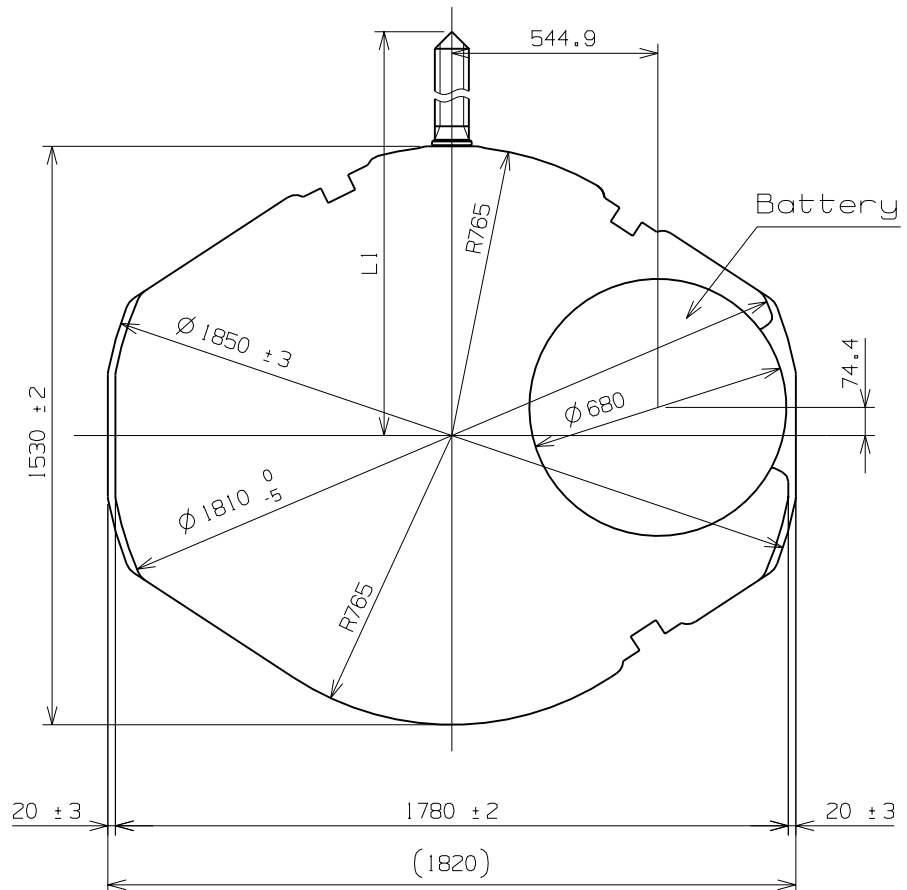
Battery Side holding spring Type.

\* Pull out Stroke 50.5



Center post 中心柱位		Type M 一般針高	Type L 高針
Maximum height from main plate surface 與機芯平面之最大高度	H1	147.7	211.8
Total height incl. movement 機芯總高度	H2	375.7	439.8

Hand Setting Stem	TYPE A
L1	2001



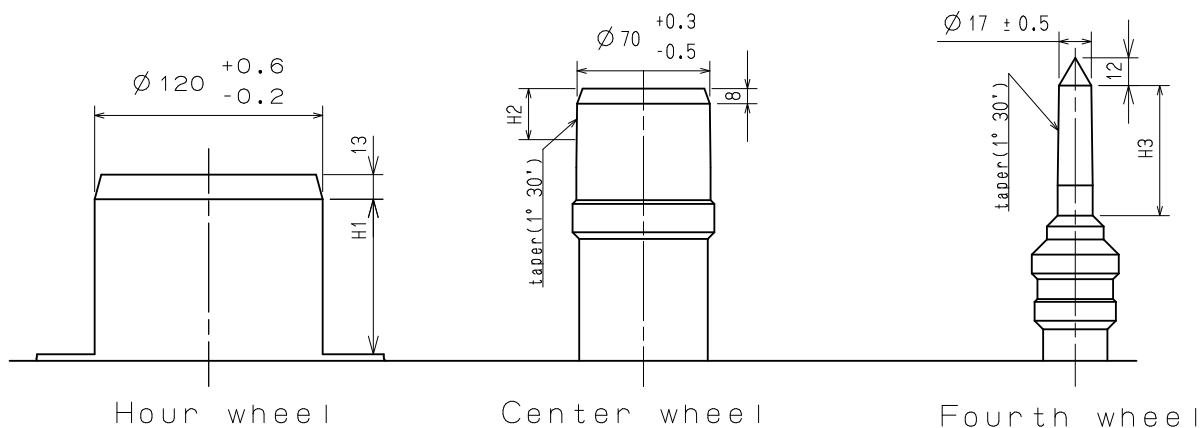
Scale : 5/1

Unit : 1=1/100mm

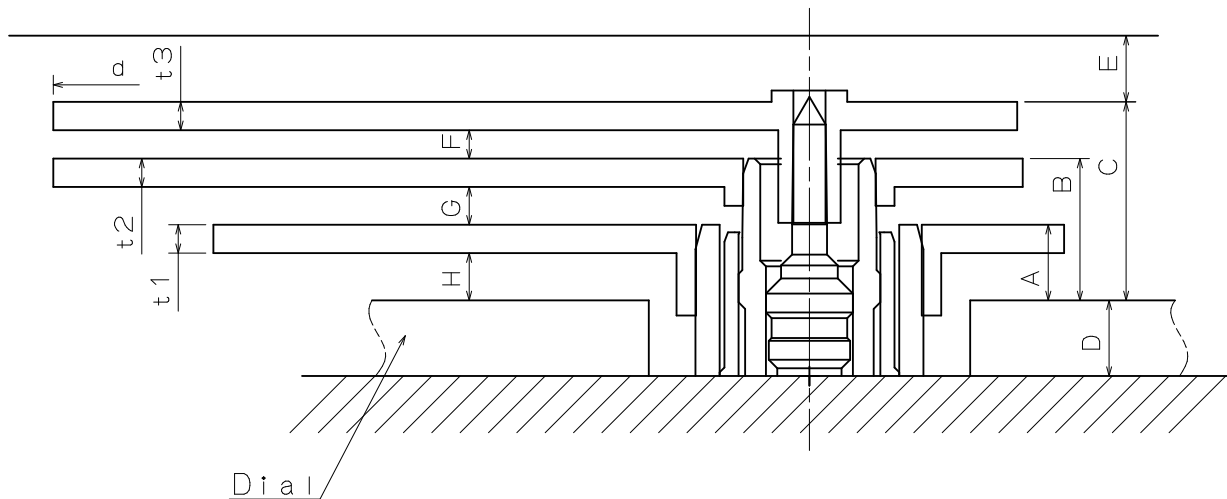
Version:6

Hour hand unbalance  $\leq 0.3\mu\text{N}\cdot\text{m}$  (30mg·mm)

 Minute hand unbalance  $\leq 0.3\mu\text{N}\cdot\text{m}$  (30mg·mm)

 Second hand unbalance  $\leq 0.07\mu\text{N}\cdot\text{m}$  (7mg·mm)


	Part. No.			Dimension		
	Hour wheel	Center wheel	Fourth wheel	H1	H2	H3
TYPE M	0273 0260	0221 1460	0241 4670	80	27	69
TYPE L	0273 0270	0221 1470	0241 4680	125	27	69



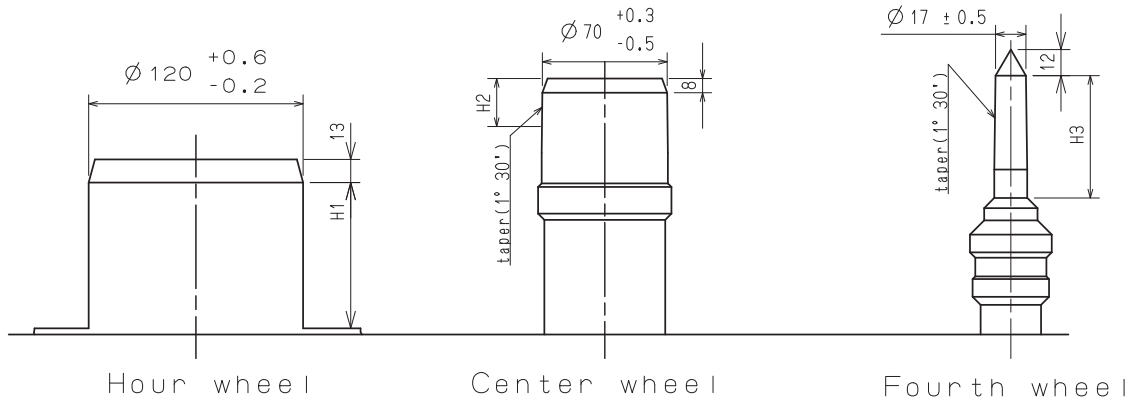
	A	B	C	D	E	F	G	H	t1	t2	t3	d
TYPE M	40	75	105	40	35	15	20	25	15	15	15	$\varnothing 2500$
TYPE L	40	89	124	85	35	20	20	25	15	15	15	$\varnothing 2500$

Scale : 25/1

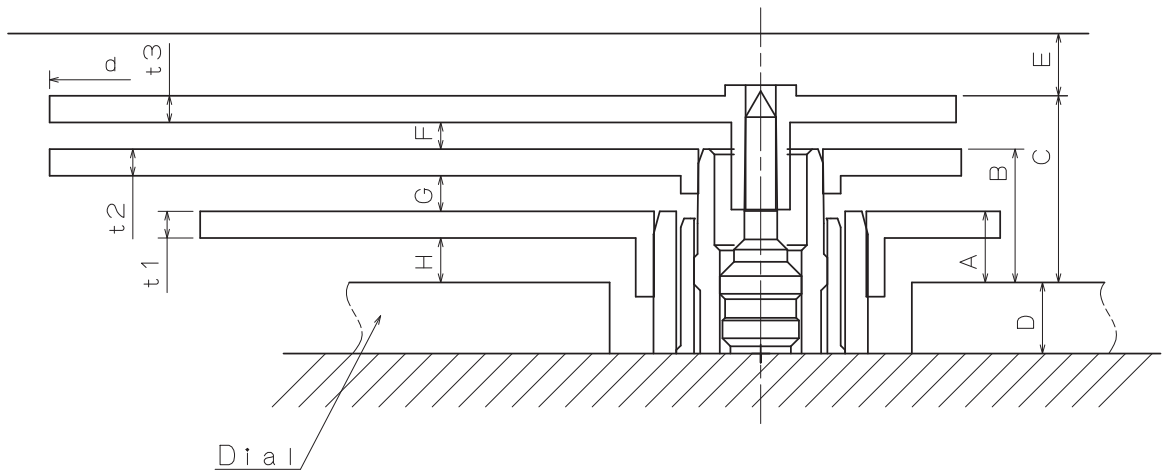
Version : 3

Unit : 1=1/100mm

Hour hand unbalance  $\leq 0.3 \mu\text{N}\cdot\text{m}$  (30mg·mm)  
 Minute hand unbalance  $\leq 0.3 \mu\text{N}\cdot\text{m}$  (30mg·mm)  
 Second hand unbalance  $\leq 0.07 \mu\text{N}\cdot\text{m}$  (7mg·mm)



	Part. No.			Dimension		
	Hour wheel 時針輪	Center wheel 分針輪	Fourth wheel 秒針輪	H1	H2	H3
Type M 一般針高	0273 0260	0221 1460	0241 4670	80	27	69
Type L 高針	0273 0270	0221 1470	0241 4680	125	27	69

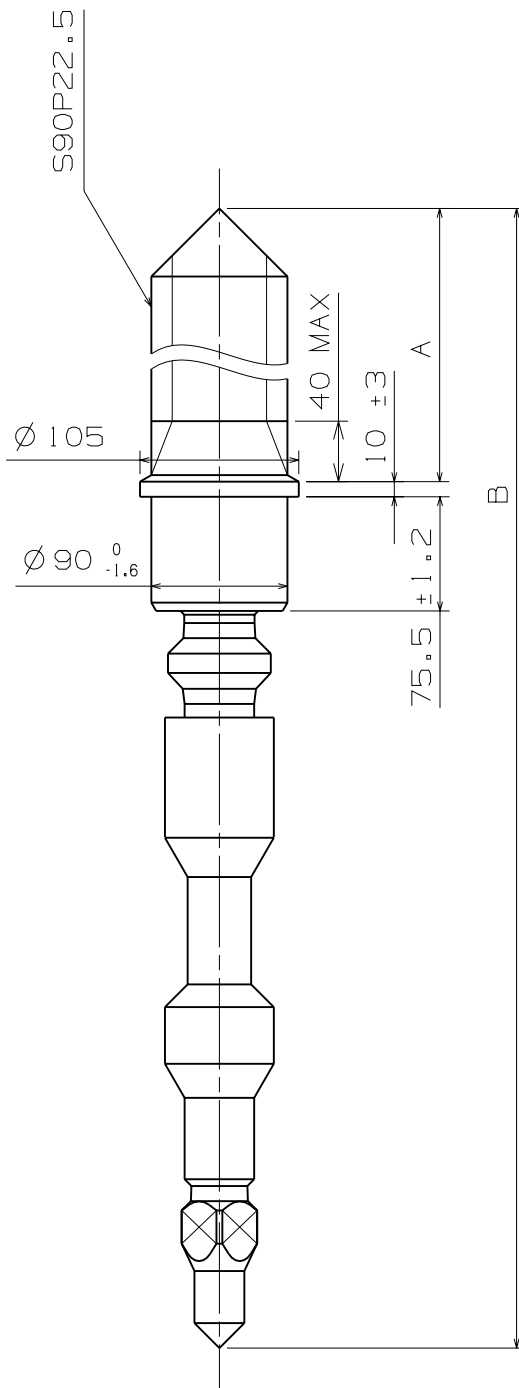


	A	B	C	D	E	F	G	H	t1	t2	t3	d
Type M 一般針高	40	75	105	40	35	15	20	25	15	15	15	∅ 2500
Type L 高針	40	89	124	85	35	20	20	25	15	15	15	∅ 2500

Scale : 25/1

Unit : 1=1/100mm

Version : 3



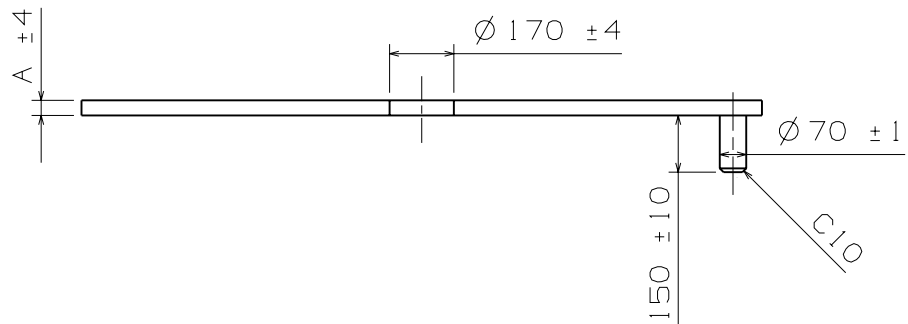
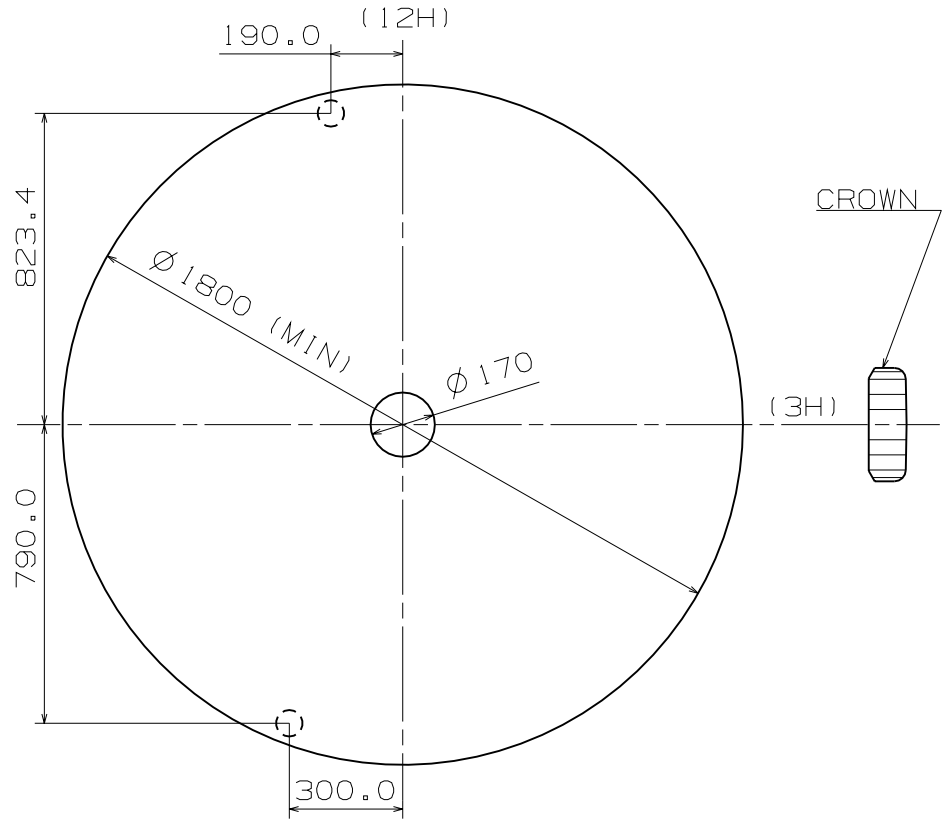
Part.No.	A	B
0351 3330	1223	1796

Scale : 20/1

Unit : 1=1/100mm

Version:5





	TYPE M	TYPE L
A	40	85

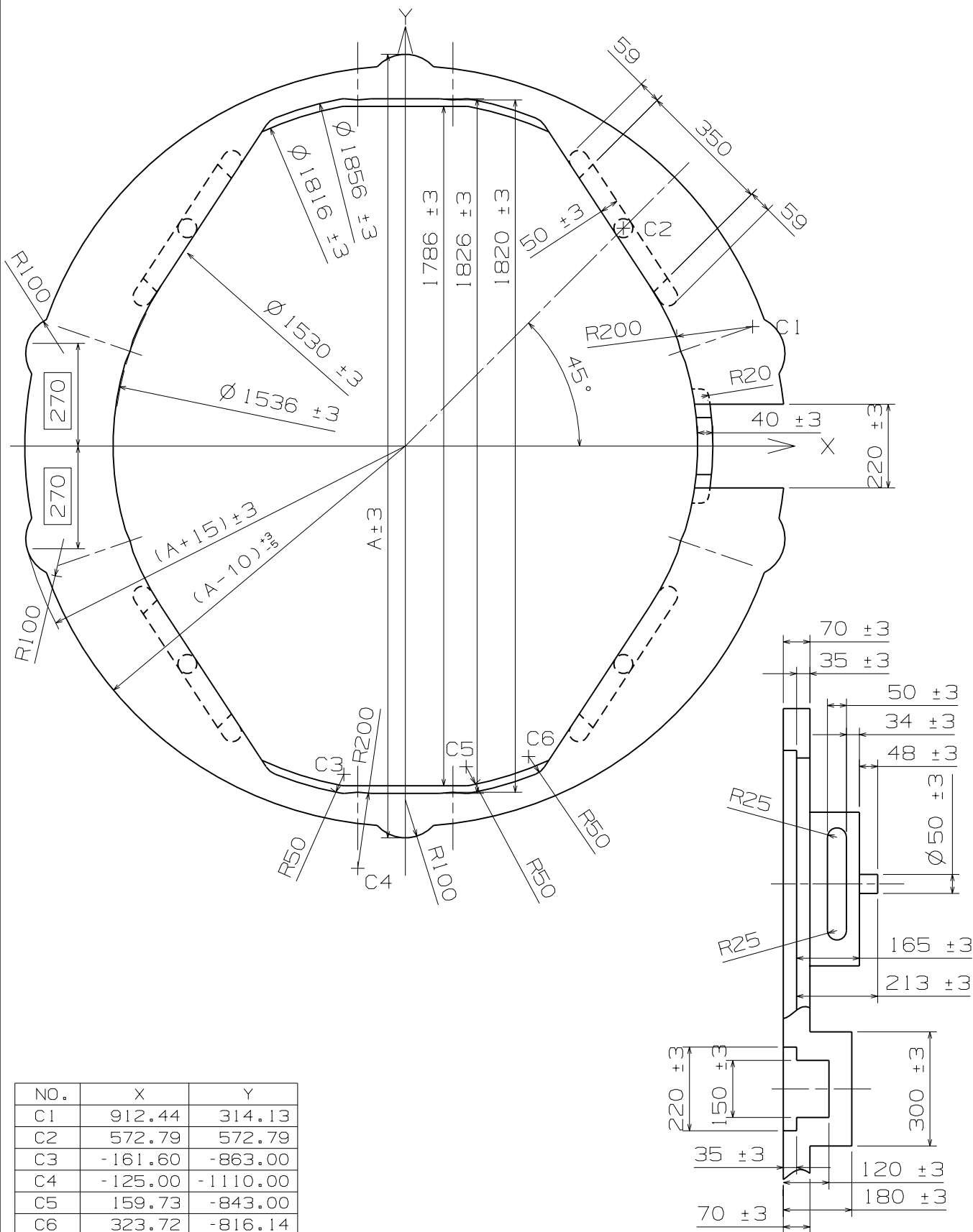
Scale : 5/1

Unit : 1=1/100mm

Version:6

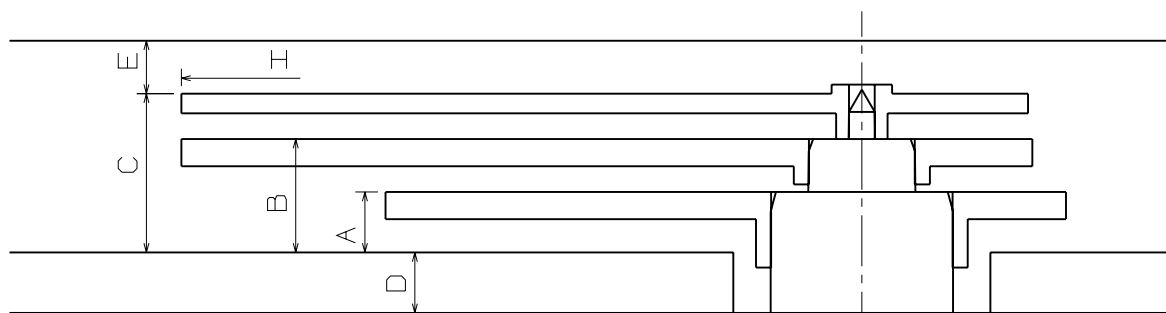
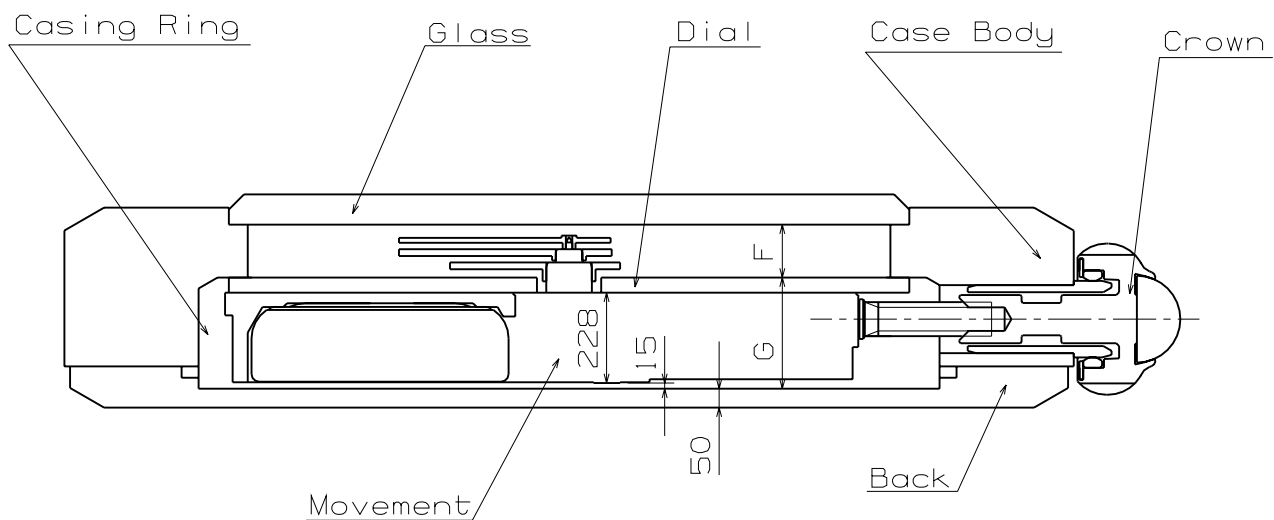
# Casing Ring

Cal. VJ21C



Scale : 7/1  
Unit : 1=1/100

Version:5

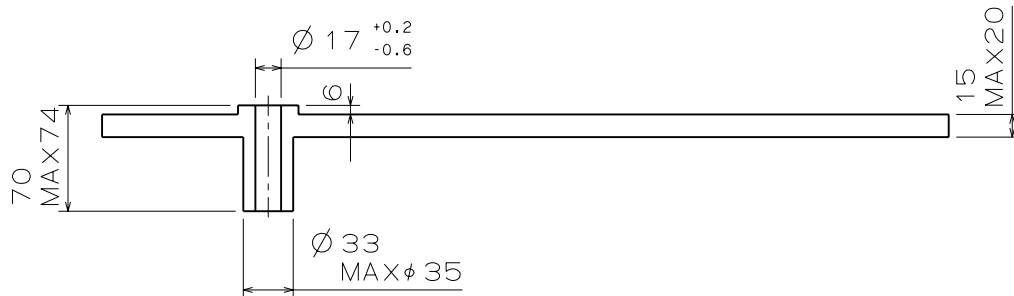


	A	B	C	D	E	F	G	H
TYPE M	40	75	105	40	35	140	283	∅ 2500
TYPE L	40	89	124	85	35	140	328	∅ 2500

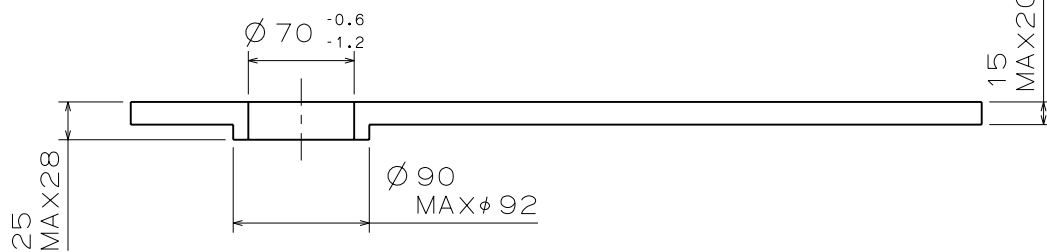
Scale : -  
Unit : 1=1/100mm

Version:6

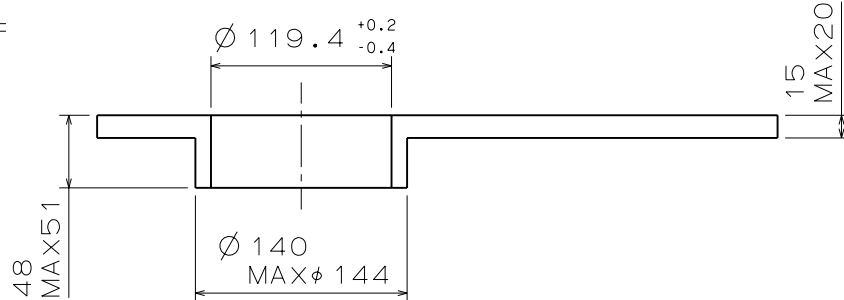
SECOND



MINUTE



HOUR



Scale : 20/1  
Unit : 1=1/100mm

Version:5